



# Outdoor LoRaWAN<sup>®</sup> Gateway

UG67

Quick Start Guide



## Safety Precautions

Milesight will not shoulder responsibility for any loss or damage resulting from not following the instructions of this operating guide.

- The device must not be modeled in any way.
- Do not place the device close to objects with naked flames.
- Do not place the device where the temperature is below/above the operating range.
- Do not power on the device or connect it to other electrical device when installing.
- Check lightning and water protection when used outdoors.
- Do not connect or power the equipment using cables that have been damaged.

## Related Documents

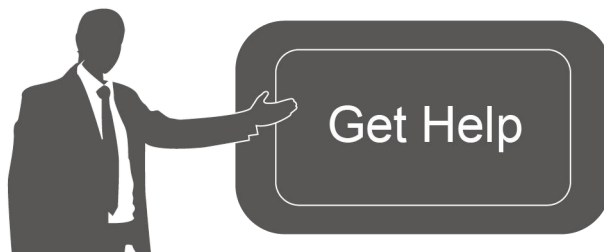
This Quick Start Guide only explains the installation of Milesight UG67 LoRaWAN® Gateway. For more functionality and advanced settings, please refer to the relevant documents as below.

Document	Description
UG67 Datasheet	Datasheet for UG67 LoRaWAN® Gateway.
UG67 User Guide	Users can refer to the guide for instruction on how to log in the web GUI, and how to configure all the settings.

The related documents are available on Milesight website: <https://www.milesight-iot.com>

## Declaration of Conformity

UG67 is in conformity with the essential requirements and other relevant provisions of the CE, FCC, and RoHS.



For assistance, please contact  
Milesight technical support:  
Email: [iot.support@milesight.com](mailto:iot.support@milesight.com)  
Tel: 86-592-5085280  
Fax: 86-592-5023065

## Revision History

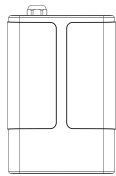
Date	Doc Version	Description
October 30, 2020	V1.0	Initial version
May 6, 2021	V1.1	Delete optional mark of LoRa antennas, add DC pinouts
July 29, 2021	V1.2	Add antenna accessories and installation method

# Contents

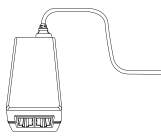
1. Packing List.....	4
2. Hardware Introduction.....	5
2.1 Overview.....	5
2.2 Dimensions.....	5
2.3 LED Indicators.....	5
2.4 Reset Button.....	6
2.5 DC Power Connector.....	6
3. Hardware Installation.....	7
3.1 SIM Card Installation.....	7
3.2 Antenna Installation.....	7
3.3 Ethernet Cable & Power Cable Installation.....	8
3.4 Power Supply.....	8
3.5 Gateway Installation.....	9
3.5.1 Wall Mounting.....	9
3.5.2 Pole Mounting.....	10
4. Login the Web GUI.....	11
4.1 Wireless Access.....	11
4.2 Wired Access.....	12
5. Network Connection.....	14
5.1 Configure the Ethernet Connection.....	14
5.2 Configure the Wi-Fi Connection.....	14
5.3 Configure the Cellular Connection.....	16
6. Packet Forwarder Configuration.....	17
7. Network Server Configuration.....	19
7.1 Connect UG67 to Milesight IoT Cloud.....	19
7.2 Connect UG67 to MQTT/HTTP Server.....	20

## 1. Packing List

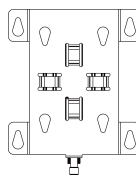
Before you begin to install the UG67 LoRaWAN® Gateway, please check the package contents to verify that you have received the items below.



1 × UG67



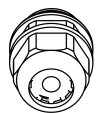
1 × PoE Injector



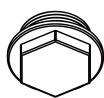
1 × Mounting Bracket



4 × Wall Mounting Kits



1 × Cable Gland



1 × SIM Dust Cover



2 × Hose Clamps



1 × DC Power Cable



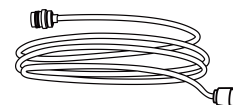
1 × Warranty Card



1 × Quick Start Guide



2 × LoRa Antennas



1 × Antenna Coaxial  
Cable (1m)



1 × Antenna Clamp Kit

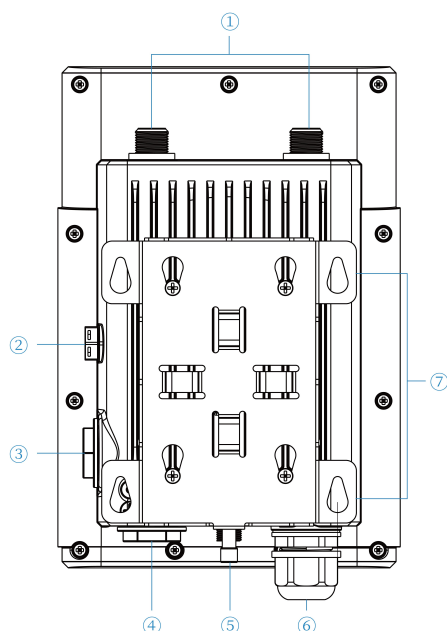


If any of the above items is missing or damaged, please contact your sales representative.



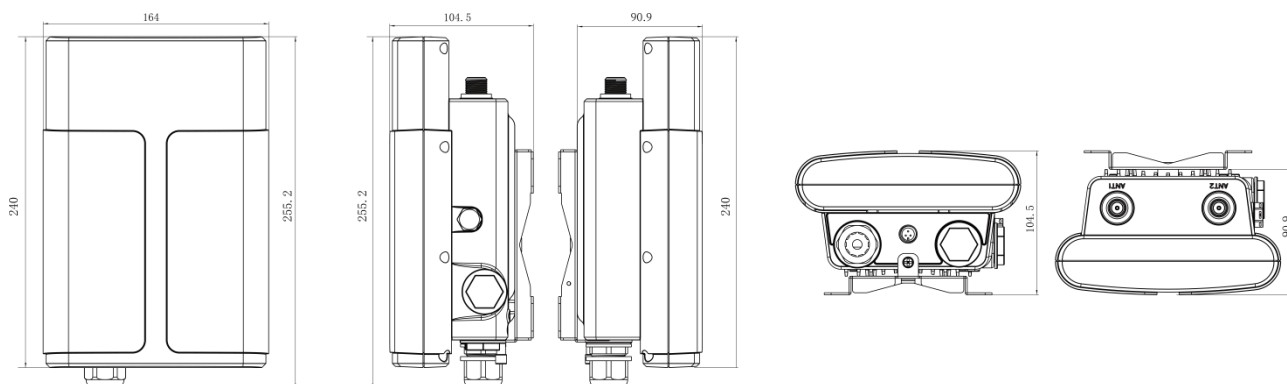
## 2. Hardware Introduction

### 2.1 Overview



- ① LoRa Antenna Connector
- ② Vent Plug
- ③ SIM Slot
- ④ LED Area & Type-C Port & Reset Button
- SYS: System Indicator
- LoRa: LoRa Indicator
- LTE: Cellular Indicator
- ⑤ DC Power Connector (Solar Connector)
- ⑥ Ethernet Port (PoE)
- ⑦ Mounting Bracket

### 2.2 Dimensions (mm)



### 2.3 LED Indicators

LED	Indication	Status	Description
SYS	System Status	Green Light	Static: the system is running properly
		Red Light	The system goes wrong
LoRa	LoRa Status	Off	Packet Forwarder mode is running off
		Green Light	Packet Forwarder mode is running well
LTE	Cellular Status	Off	SIM card is registering or fails to register (or there are no SIM cards inserted)
		Green Light	Blinking slowly: SIM card has been registered and is ready for dial-up

			Blinking rapidly: SIM card has been registered and is dialing up now
			Static: SIM card has been registered and dialed up successfully

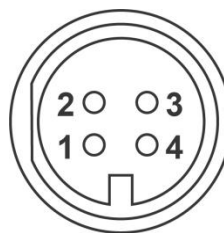
## 2.4 Reset Button

Function	Description	
	SYS LED	Action
Reset	Static Green	Press and hold the reset button for more than 5 seconds.
	Static Green → Rapidly Blinking	Release the button and wait.
	Off → Static Green	The gateway resets to factory default.

## 2.5 DC Power Connector

UG67 supports 12 VDC or solar supply via M12 connector.

Pin	Color	Description
1	Black	GND
2	White	Reserved
3	Yellow	Reserved
4	Red	+12V



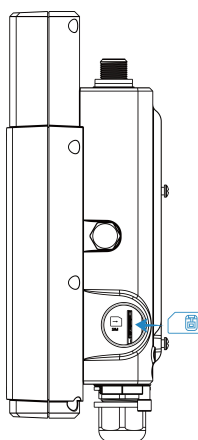
## 3. Hardware Installation

### 3.1 SIM Card Installation

A. Insert the SIM card into the device according to the direction icon on the device. If you need to take out the SIM card, press into the SIM card and it will pop up automatically.

B. Tighten the SIM dust cover with wrench to prevent water into the device.

**Note:** UG67 does not support hot plugging (also called hot swapping). please turn off the power before you insert or take off cards.

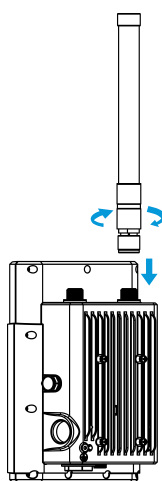


### 3.2 Antenna Installation

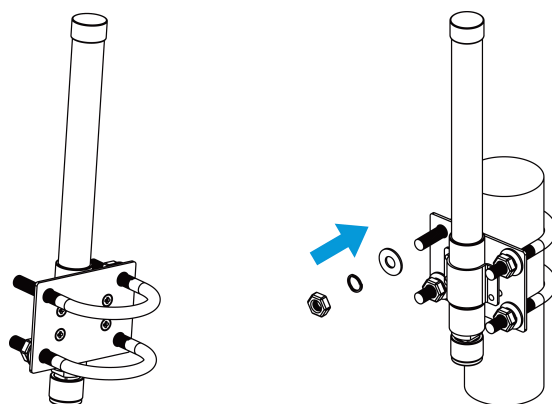
UG67 supports multiple LoRa antenna types. After installation, please select the corresponding installation type in web GUI.

**Internal Antenna Mode:** keep gateway positive outwards to ensure good signal.

**Signal Antenna Mode:** the external antenna must be installed on ANT1 connector.

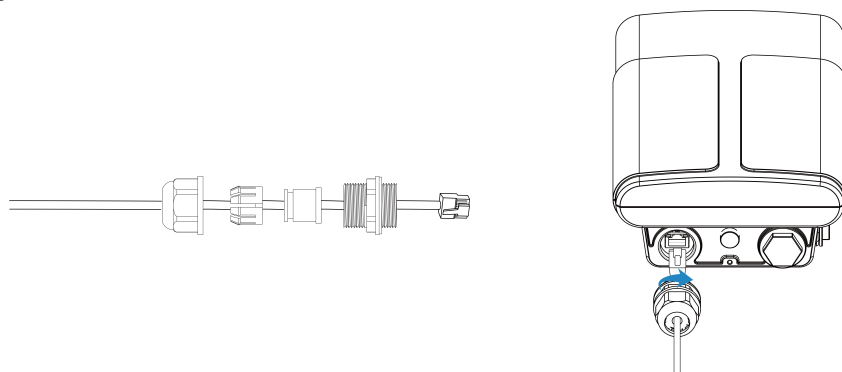


**Double Antenna Mode:** it's suggested to add coaxial cable between one of antenna connectors (ANT1 is recommended) and LoRa antenna to ensure better performance. After installation, the LoRa antenna can be fixed to a pole via antenna clamp kit. Pass this LoRa antenna through the antenna clamp and fix it with 4 screws, then wrap the U-bolt around a pole and fix the clamp with nuts and other accessories.

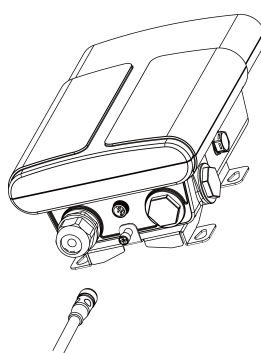


### 3.3 Ethernet Cable & Power Cable Installation

Pass the Ethernet cable through the cable gland and rotate the cable gland to gateway, then tighten the cable gland with wrench.

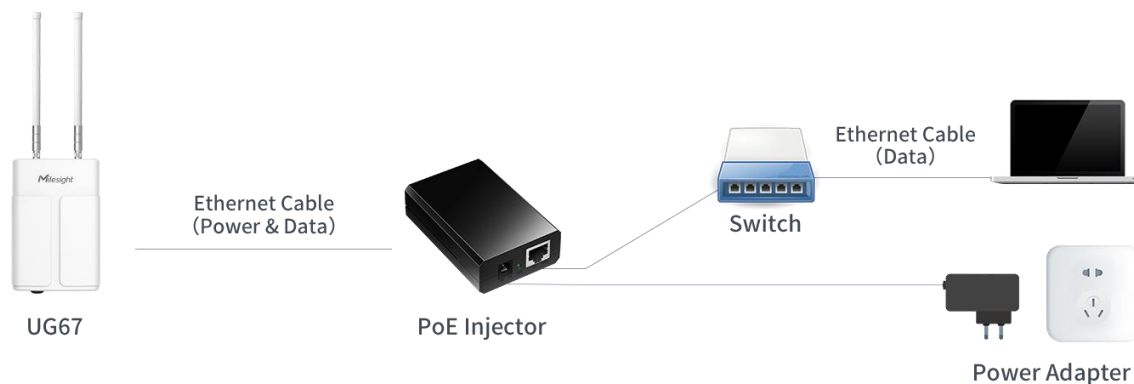


For DC or solar power supply, remove the protective cap of power connector and rotate the DC power cable into the power connector.



### 3.4 Power Supply

UG67 can be powered by 802.3af standard PoE or 12VDC. Please follow the picture to provide power supply via PoE injector:



## 3.5 Gateway Installation

UG67 can be mounted to a wall or a pole. Before you start, make sure that your SIM card has been inserted, your antennas have been attached and all cables have been installed.

**Note:** Do not connect device to power supply or other devices when installing.

### 3.5.1 Wall Mounting

**Preparation:** mounting bracket (with a screw), wall plugs, wall mounting screws and other required tools.

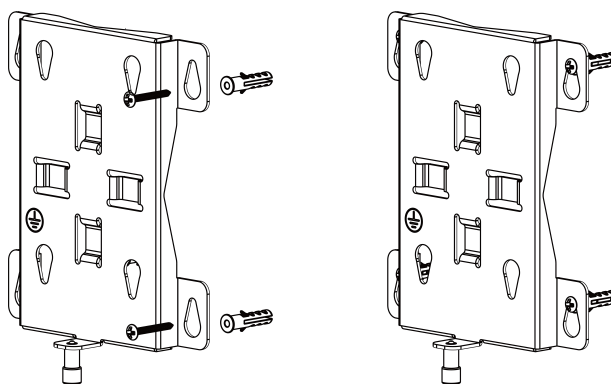
A. Align the mounting bracket horizontally to the desired position on the wall, use a marker pen to mark four mounting holes on the wall, and then remove the mounting bracket from the wall.

**Note:** The connecting lines of adjacent points are at right angles.

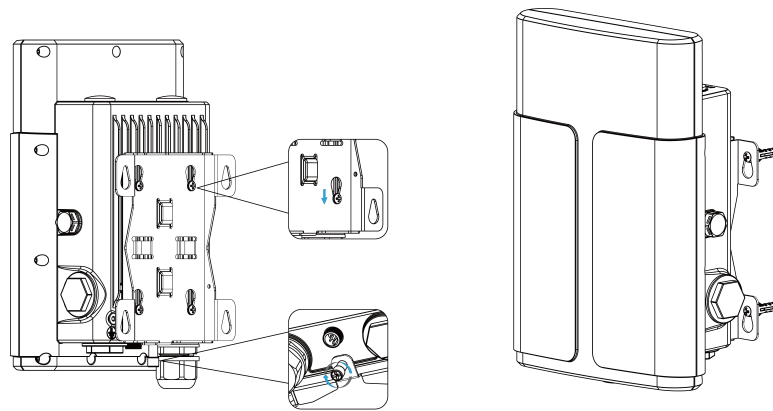
B. Drill four holes with a depth of 32 mm by using your drill with a 6 mm drill bit on the positions you marked previously on the wall.

C. Insert four wall plugs into the holes respectively.

D. Mount the mounting bracket horizontally to the wall by fixing the wall mounting screws into the wall plugs.



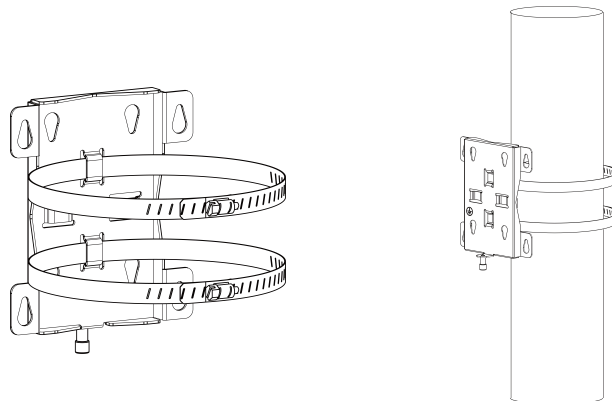
E. Hang the device to the mounting bracket via bracket mounting screws on the back of device, then screw the bracket screw to the bottom of the device.



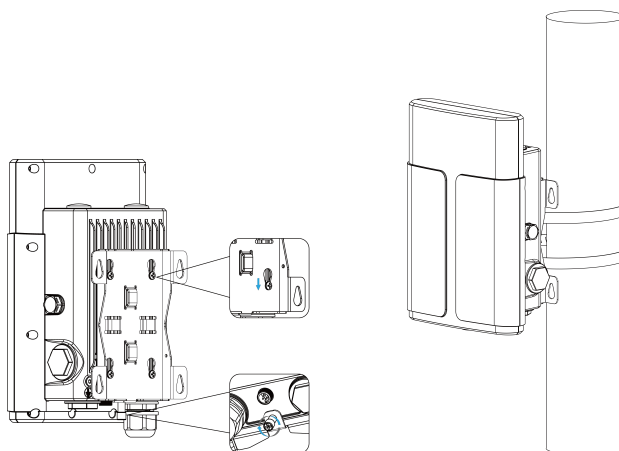
### 3.5.2 Pole Mounting

**Preparation:** mounting bracket (with a screw), hose clamp and other required tools.

- A. Loosen the hose clamp by turning the locking mechanism counter-clockwise.
- B. Straighten out the hose clamp and slide it through the rectangular rings in the mounting bracket, wrap the hose clamp around the pole.
- C. Use a screwdriver to tighten the locking mechanism by turning it clockwise.



- D. Hang the device to the mounting bracket via bracket mounting screws on the back of device, then screw the bracket screw to the bottom of the device.



## 4. Login the Web GUI

UG67 provides web-based configuration interface for management. If this is the first time you configure the gateway, please use the default settings below:

ETH IP Address: **192.168.23.150**

Wi-Fi IP Address: **192.168.1.1**

Wi-Fi SSID: **Gateway\_\*\*\*\*\***

Username: **admin**

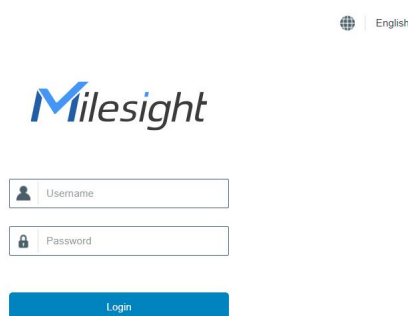
Password: **password**

### 4.1 Wireless Access

A. Enable Wireless Network Connection on your computer and search for access point “Gateway\_\*\*\*\*\*” to connect it.

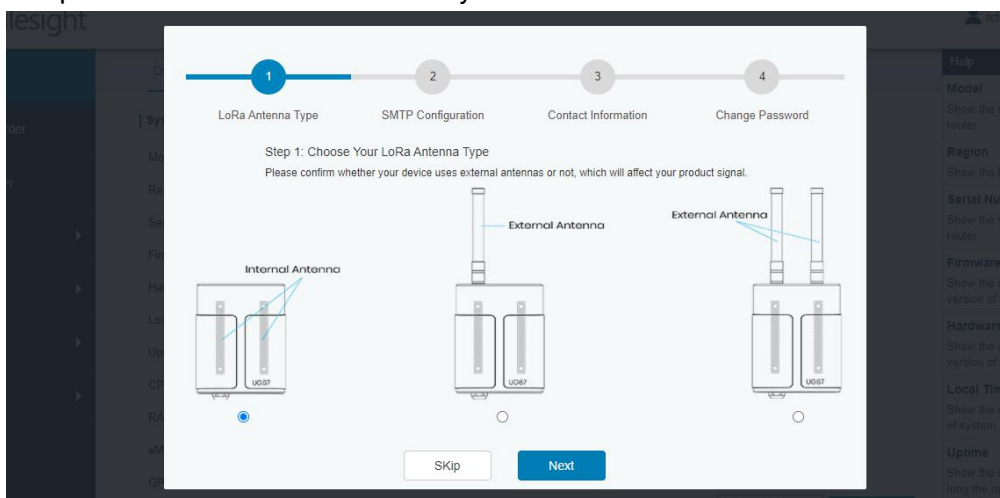
B. Open a Web browser on your PC (Chrome is recommended) and type in the IP address 192.168.1.1 to access the web GUI.

C. Enter the username and password, click “Login”.



If you enter the username or password incorrectly more than 5 times, the login page will be locked for 10 minutes.

D. After logging the web GUI, follow the guide to complete the basic configurations. It's suggested that you change the password for the sake of security.



E. You can view system information and perform configuration of the gateway.

The screenshot shows the Milesight gateway web interface. The top navigation bar includes 'Status', 'Overview', 'Packet Forward', 'Cellular', 'Network', 'WLAN', 'VPN', and 'Host List'. The 'System Information' section is active, displaying the following data:

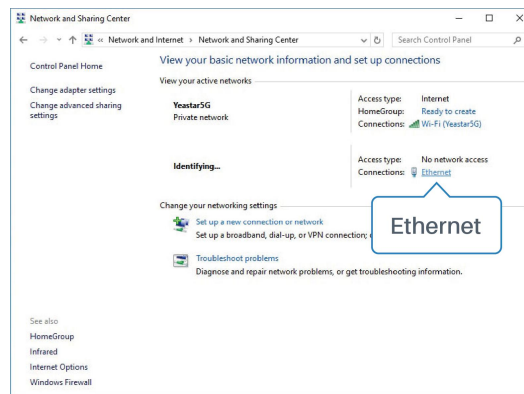
Parameter	Value
Model	UG67-L00E-470M
Region	CN470
Serial Number	6222A3243835
Firmware Version	60.0.0.23
Hardware Version	V1.0
Local Time	2020-12-14 17:05:05 Monday
Uptime	4days,05:52:48
CPU Load	2%
RAM (Capacity/Available)	512MB/77MB(15.04%)
eMMC (Capacity/Available)	3.0Gi/2.7Gi(89.74%)
GPS	-

Buttons for 'Manual Refresh' and 'Refresh' are located at the bottom right of the system information section. A help sidebar on the right lists various system parameters and their descriptions.

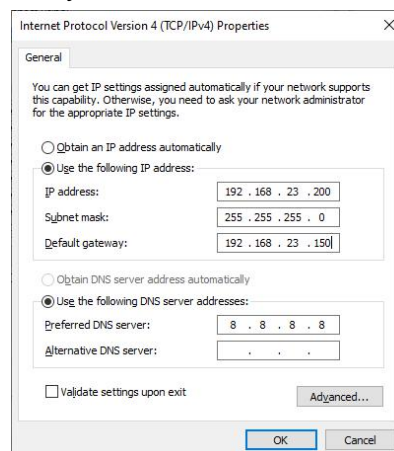
## 4.2 Wired Access

Connect PC to UG67 ETH port through PoE injector. The following steps are based on Windows 10 operating system for your reference.

A. Go to "Control Panel" → "Network and Internet" → "Network and Sharing Center", then click "Ethernet" (May have different names).



B. Go to "Properties" → "Internet Protocol Version 4(TCP/IPv4)" and select "Use the following IP address", then assign a static IP manually within the same subnet of the gateway.






C. Open a Web browser on your PC (Chrome is recommended) and type in the IP address 192.168.23.150 to access the web GUI.

D. Enter the username and password, click "Login".

English



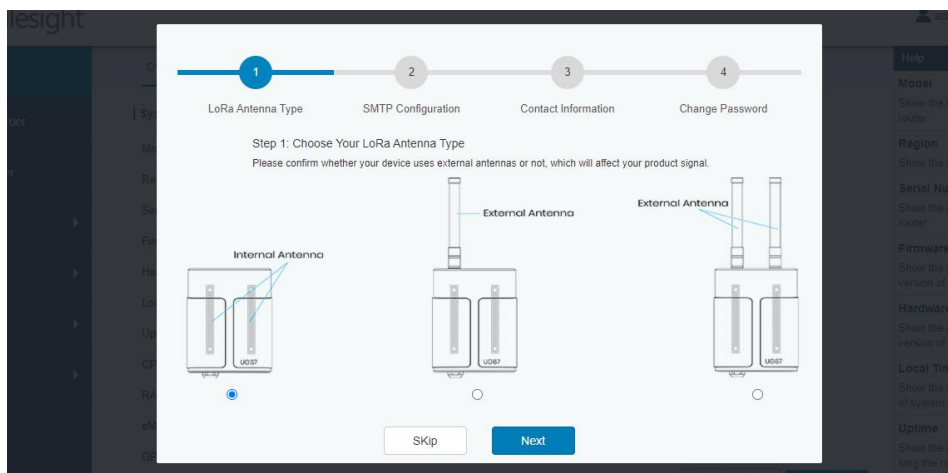
Username

Password

Login

**!** If you enter the username or password incorrectly more than 5 times, the login page will be locked for 10 minutes.

E. After logging the web GUI, follow the guide to complete the basic configurations. You can also skip the instructions. It's suggested that you change the password for the sake of security.



F. After guide complete, you can view system information and perform configuration of the gateway.

Status	Overview	Packet Forward	Cellular	Network	WLAN	VPN	Host List	Help
Packet Forwarder	<b>System Information</b>							Model Show the model name of router.
Network Server	Model	UG67-L00E-470M					Region Show the Region of router.	
Network	Region	CN470					Serial Number Show the serial number of router.	
System	Serial Number	6222A3243835					Firmware Version Show the current firmware version of router.	
Maintenance	Firmware Version	60.0.0.23					Hardware Version Show the current hardware version of router.	
APP	Hardware Version	V1.0					Local Time Show the current local time of system.	
	Local Time	2020-12-14 17:05:05 Monday					Uptime Show the information on how long the router has been running.	
	Uptime	4days,05:52:48						
	CPU Load	2%						
	RAM (Capacity/Available)	512MB/77MB(15.04%)						
	eMMC (Capacity/Available)	3.0G/2.7G(89.74%)						
	GPS	-						

## 5. Network Connection

This section explains how to connect the gateway to network via WAN connection, Wi-Fi or cellular.

### 5.1 Configure the Ethernet Connection

- A. Go to “Network” → “Interface” → “Port” page to select the connection type and configure Ethernet port information.
- B. Click “Save & Apply” for changes to take effect.

- C. Connect Ethernet port of gateway to devices like router or modem.
- D. Log in the web GUI via the newly assigned Ethernet port IP address and check network connection.

Port	Status	Type	IP Address	Netmask	Gateway	DNS	Duration
eth 0	up	Static	192.168.22.112	255.255.255.0	192.168.22.1	8.8.8.8	1days,02h 34m 22s

### 5.2 Configure the Wi-Fi Connection

- A. Go to “Network” → “Interface” → “WLAN” and select “Client” mode.
- B. Click “Scan” to search for Wi-Fi access point. Select the available one and click “Join Network”.

Port	WLAN	Cellular	Loopback				
<a href="#">&lt; GoBack</a>							
SSID	Channel	Signal	Cipher	BSSID	Security	Frequency	
AAA	Auto	-61dBm	AES	24:e1:24:f0:c4:13	WPA-PSK/WPA2-PSK	2412MHz	<a href="#">Join Network</a>

C. Type the key of Wi-Fi.

Port	WLAN	Cellular	Loopback
<b>WLAN</b>			
Enable	<input checked="" type="checkbox"/>		
Work Mode	Client		<a href="#">Scan</a>
SSID	AAA		
BSSID	24:e1:24:f0:c4:13		
Encryption Mode	WPA-PSK/WPA2-PSK		
Cipher	AES		
Key	.....		
<b>IP Setting</b>			
Protocol	DHCP Client		

D. Go to "Status"→"WLAN" to check Wi-Fi status. If it shows "Connected", it means gateway connects to Wi-Fi successfully.

Overview	Packet Forward	Cellular	Network	WLAN
<b>WLAN Status</b>				
Wireless Status	Enabled			
MAC Address	24:e1:24:f0:de:14			
Interface Type	Client			
SSID	AAA			
Channel	Auto			
Encryption Type	WPA-PSK/WPA2-PSK			
Cipher	AES			
Status	Connected			
IP Address	192.168.1.145			
Netmask	255.255.255.0			
Connection Duration	0 days, 02:44:45			

## 5.3 Configure the Cellular Connection

- Go to “Network” → “Interface” → “Cellular” → “Cellular Setting” page to enable cellular settings.
- Choose relevant network type and fill in SIM card information like APN or PIN code.
- Click “Save” and “Apply” for changes to take effect.

Port	WLAN	Cellular	Loopback
<b>Cellular Setting</b>			
Enable		<input checked="" type="checkbox"/>	
Network Type		Auto	
APN			
Username			
Password			
Access Number			
PIN Code			
Authentication Type		Auto	
Roaming		<input checked="" type="checkbox"/>	
SMS Center			
Connection Setting		<input type="checkbox"/>	
Enable NAT		<input checked="" type="checkbox"/>	


- Go to “Status” → “Cellular” page to view the status of the cellular connection. If it shows “Connected”, it means the SIM has dialed up successfully. On the other hand, you can check the status of LTE indicator. If it keeps on light statically, it means SIM has dialed up successfully.

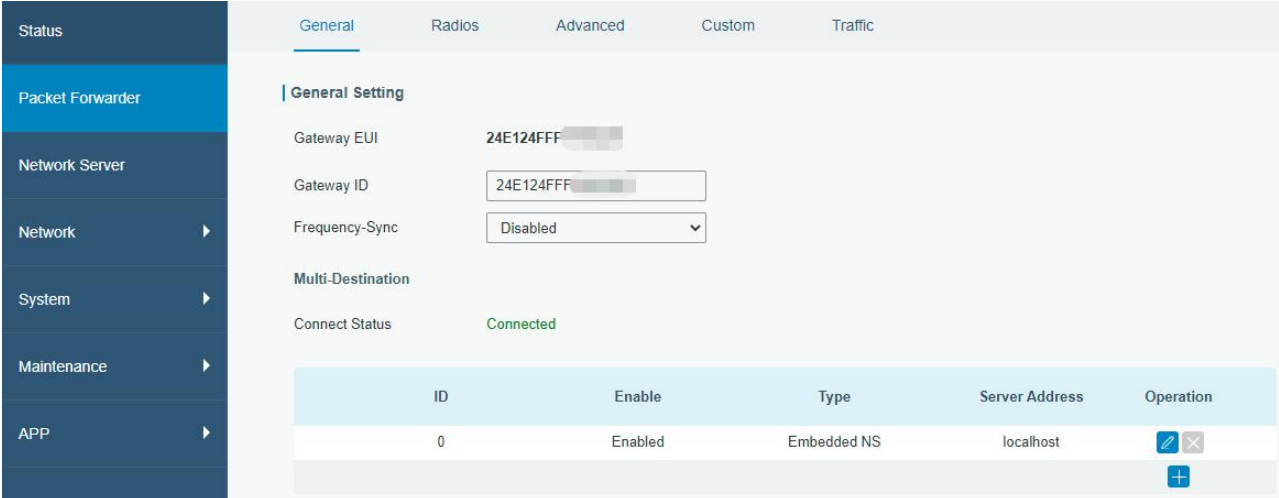
Overview	Packet Forward	Cellular	Network	WLAN
<b>Modem</b>				
Status		Ready		
Model		EC25		
Version		EC25ECGAR06A07M1G		
Signal Level		23asu (-67dBm)		
Register Status		Registered (Home network)		
IMEI		860425047368939		
IMSI		460019425301842		
ICCID		89860117838009934120		
ISP		CHN-UNICOM		
Network Type		LTE		
PLMN ID				
LAC		5922		
Cell ID		340db83		
<b>Network</b>				
Status		Connected		
IP Address		10.132.132.59		
Netmask		255.255.255.240		
Gateway		10.132.132.60		



## 6. Packet Forwarder Configuration

UG67 has installed multiple packet forwarders including Semtech, Chirpstack-Generic MQTT broker, etc. This section explains how to connect the gateway to network servers.

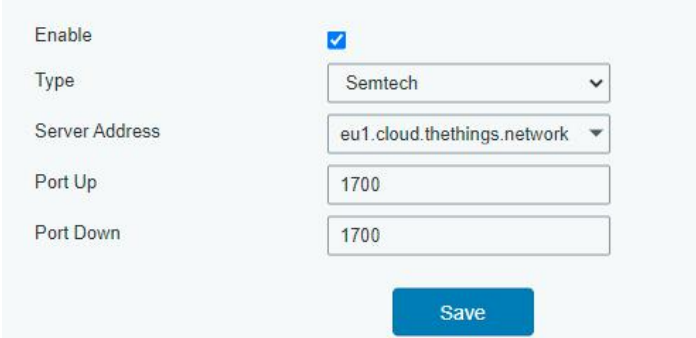
**!** Make sure the gateway connects to the network as shown in [Section 5](#).

A. Go to “Packet Forwarder” → “General” page and click  to add a network server.



ID	Enable	Type	Server Address	Operation
0	Enabled	Embedded NS	localhost	 

B. Fill in the server information and enable this server.



Enable

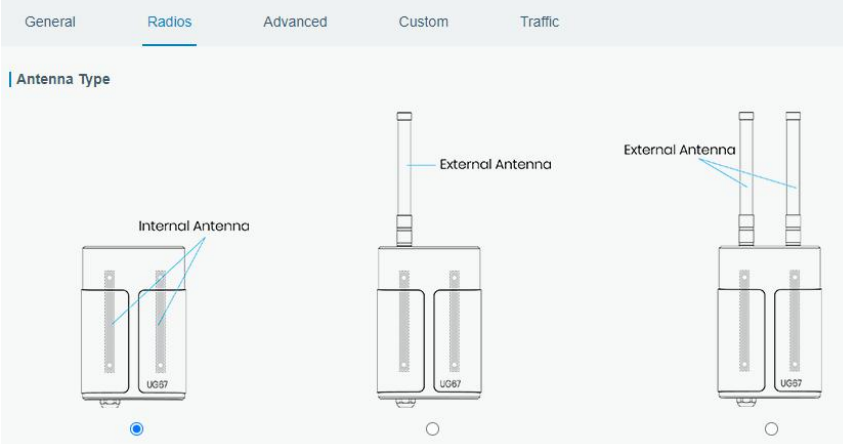
Type

Server Address

Port Up

Port Down

C. Go to “Packet Forwarder” → “Radio” page to configure antenna type, center frequency and channels. The channels of the gateway and network server need to be the same.



General Radios Advanced Custom Traffic

Antenna Type

Internal Antenna

External Antenna

External Antenna

Region US915

Name	Center Frequency/MHz
Radio 0	904.3
Radio 1	905.0

**Multi Channels Setting**

Enable	Index	Radio	Frequency/MHz
<input checked="" type="checkbox"/>	0	Radio 0	903.9
<input checked="" type="checkbox"/>	1	Radio 0	904.1
<input checked="" type="checkbox"/>	2	Radio 0	904.3
<input checked="" type="checkbox"/>	3	Radio 0	904.5
<input checked="" type="checkbox"/>	4	Radio 1	904.7
<input checked="" type="checkbox"/>	5	Radio 1	904.9
<input checked="" type="checkbox"/>	6	Radio 1	905.1
<input checked="" type="checkbox"/>	7	Radio 1	905.3

D. Add the gateway on network server page. For more details about the network server connection please refer to [Milesight IoT Support portal](#).

E. Go to "Traffic" page to view the data communication of UG67.

General   Radios   Advanced   Custom   Traffic

**Traffic Setting**

Stop
Clear

Rfch	Direction	Time	Ticks	Frequency	Datarate	Coderate	RSSI	SNR
1	up	11:52:38	317882157 1	865.985	SF7BW125	4/5	-91	5.0
1	up	11:52:22	316226269 2	866.585	SF7BW125	4/7	-108	-11.8
0	down	-	311888813 1	865.0625	SF7BW125	4/5	-	-
0	up	11:51:37	311788813 1	865.0625	SF7BW125	4/5	-95	-0.8

## 7. Network Server Configuration

UG67 can work as network server and transmit data to Milesight IoT Cloud or other platform via MQTT/HTTP/HTTPS.



Make sure the gateway connects to the network as shown in [Section 5](#).

### 7.1 Connect UG67 to Milesight IoT Cloud

A. Go to “Packet Forwarder” → “General” page to enable the embedded network server.

The screenshot shows the 'General Setting' page for Packet Forwarder. The 'Connect Status' is 'Connected'. A table below shows the configuration for the embedded network server:

ID	Enable	Type	Server Address	Operation
0	Enabled	Embedded NS	localhost	

B. Go to “Packet Forwarder” → “Radio” page to select the antenna type, center frequency and channels. The channels of the gateway and nodes need to be the same.

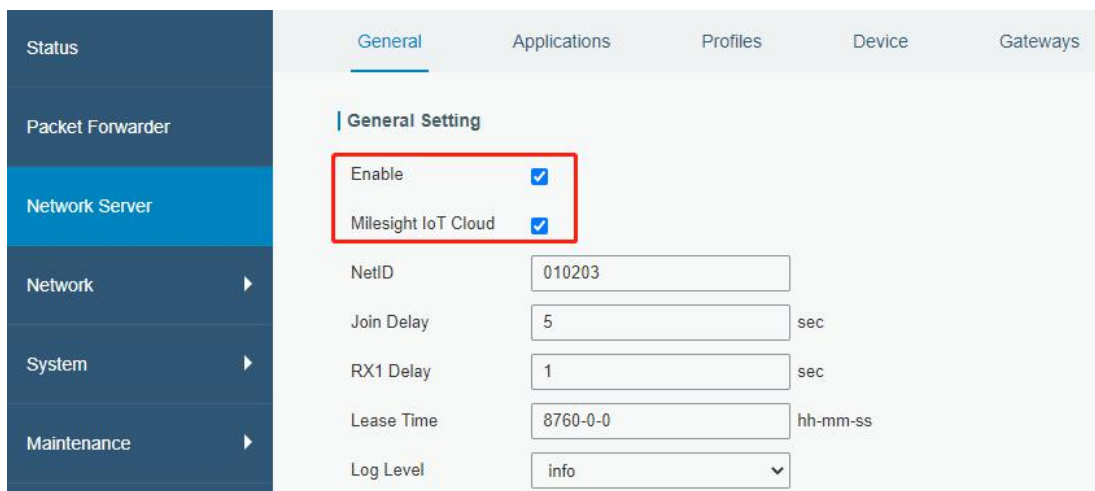
The screenshot shows the 'Radio' configuration page. The 'Region' is set to 'US915'. The 'Radio' settings are as follows:

Name	Center Frequency/MHz
Radio 0	904.3
Radio 1	905.0

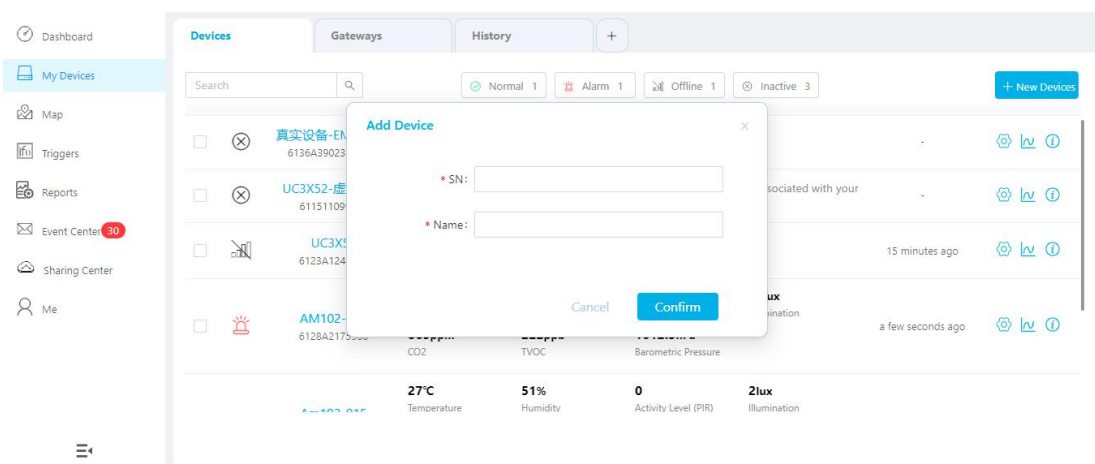
Below is the 'Multi Channels Setting' table:

Enable	Index	Radio	Frequency/MHz
<input checked="" type="checkbox"/>	0	Radio 0	903.9
<input checked="" type="checkbox"/>	1	Radio 0	904.1
<input checked="" type="checkbox"/>	2	Radio 0	904.3
<input checked="" type="checkbox"/>	3	Radio 0	904.5
<input checked="" type="checkbox"/>	4	Radio 1	904.7
<input checked="" type="checkbox"/>	5	Radio 1	904.9
<input checked="" type="checkbox"/>	6	Radio 1	905.1
<input checked="" type="checkbox"/>	7	Radio 1	905.3

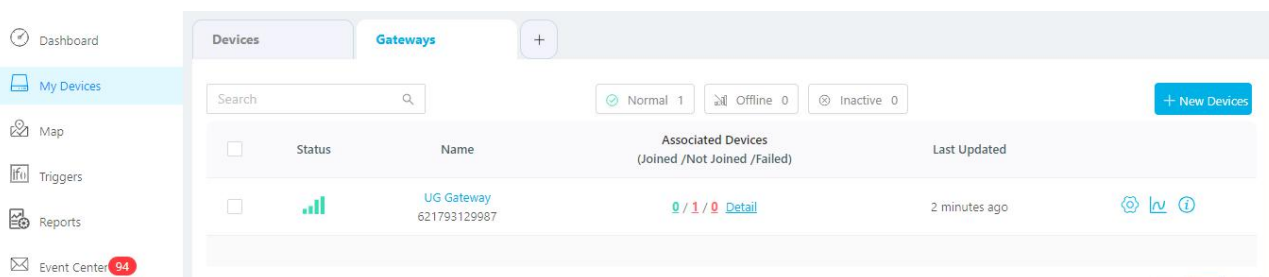
C. Go to “Network Server” → “General” page to enable the network server and “Milesight IoT Cloud” mode.



D. Log in the Milesight IoT Cloud. Then go to “My Devices” page and click “+New Devices” to add gateway to Milesight IoT Cloud via SN. Gateway will be added under “Gateways” menu.



E. The gateway is online on Milesight IoT Cloud.



## 7.2 Connect UG67 to MQTT/HTTP Server

A. Go to “Packet Forwarder” → “General” page to enable the embedded network server.



**General Setting**

Gateway EUI: 24E124FFF

Gateway ID: 24E124FF

Frequency-Sync: Disabled

**Multi-Destination**

Connect Status: Connected

ID	Enable	Type	Server Address	Operation
0	Enabled	Embedded NS	localhost	

B. Go to “Packet Forwarder” → “Radio” page to select the antenna type, center frequency and channels. The channels of the gateway and nodes need to be the same.

Region: US915

Name	Center Frequency/MHz
Radio 0	904.3
Radio 1	905.0

**Multi Channels Setting**

Enable	Index	Radio	Frequency/MHz
<input checked="" type="checkbox"/>	0	Radio 0	903.9
<input checked="" type="checkbox"/>	1	Radio 0	904.1
<input checked="" type="checkbox"/>	2	Radio 0	904.3
<input checked="" type="checkbox"/>	3	Radio 0	904.5
<input checked="" type="checkbox"/>	4	Radio 1	904.7
<input checked="" type="checkbox"/>	5	Radio 1	904.9
<input checked="" type="checkbox"/>	6	Radio 1	905.1
<input checked="" type="checkbox"/>	7	Radio 1	905.3

C. Go to “Network Server” → “General” page to enable the network server mode.

**General Setting**

Enable:

Milesight IoT Cloud:

NetID: 010203

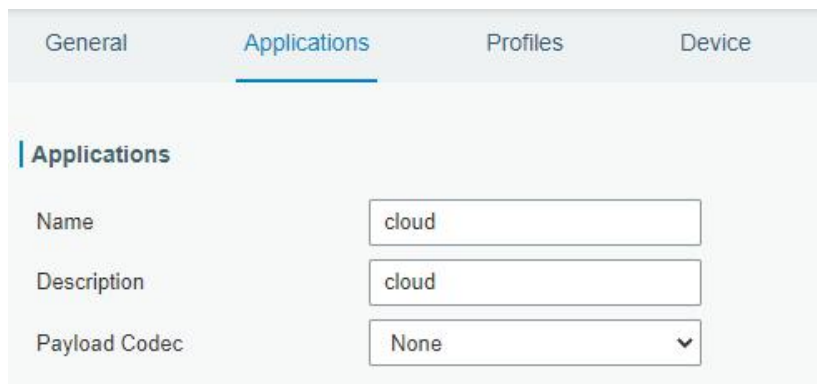
Join Delay: 5 sec

RX1 Delay: 1 sec

Lease Time: 876000-0-0 hh-mm-ss

Log Level: info

D. Go to “Network Server” → “Application” to add a new application.



General Applications Profiles Device

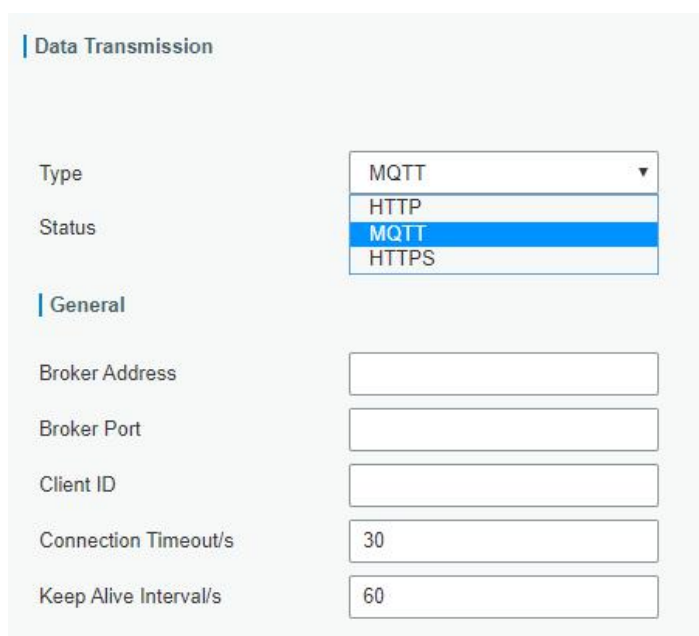
**Applications**

Name

Description

Payload Codec

After saving the application, you can select HTTP, HTTPS or MQTT protocol and fill in correspond server information to send data to another server.



**Data Transmission**

Type

Status

**General**

Broker Address

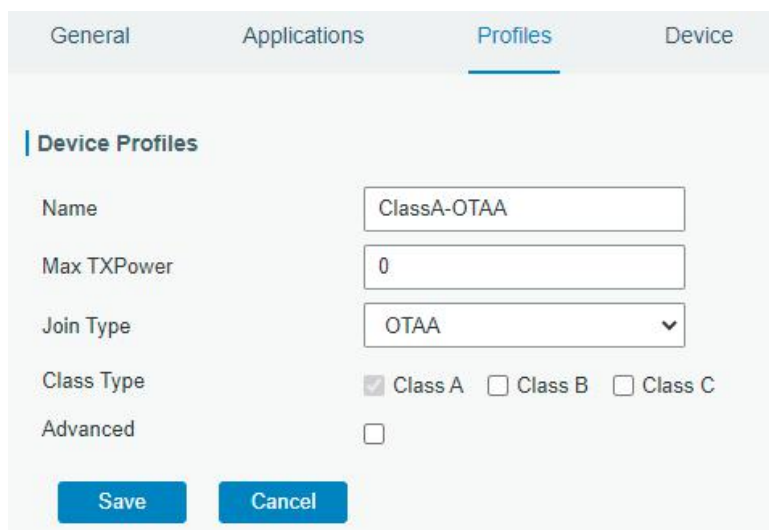
Broker Port

Client ID

Connection Timeout/s

Keep Alive Interval/s

E. Go to “Profiles” page to add a new profile for the device.



General Applications Profiles Device

**Device Profiles**

Name

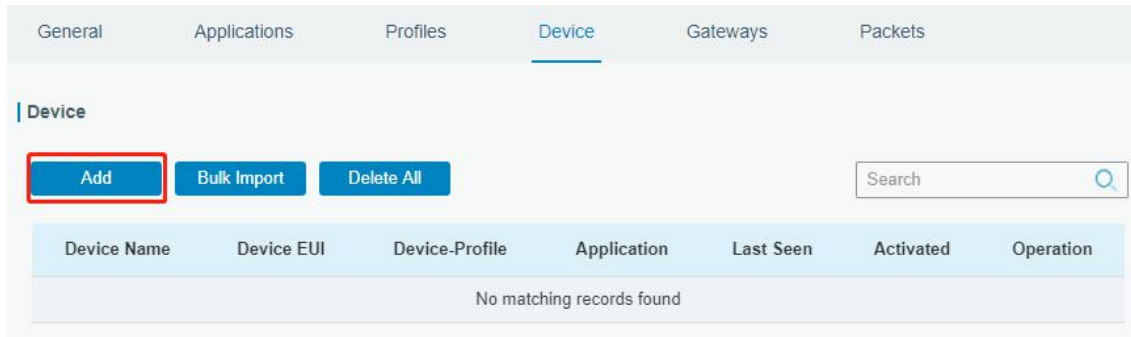
Max TXPower

Join Type

Class Type  Class A  Class B  Class C

Advanced

F. Go to “Device” page and click “Add” to add LoRaWAN® node devices.



You can also click “Bulk Import” if you want to add many nodes all at once.

Click “Template Download” to download template file and add device information to this file. Application and device profile should be the same as you created on web page.

	A	B	C	D	E	F	G	H	I
1	name	description	deveui	application	deviceprofile	appkey	devaddr	appskey	nwkskey
2	24e1242191323266		24e1242191323266	cloud	ClassC-OTAA	112233445566778899aa112233445566			
3									
4									
5									

Import this file to add bulks of devices.

F. Go to “Packets” page to check the packets from LoRaWAN® node devices. The type starts from “Up” means uplinks and “Dn” means downlinks.

Network Server

Clear

Device EUI	Frequency	Datarate	SNR	RSSI	Size	Fcnt	Type	Time	Details
24e124126a146579	868300000	SF7BW125	8.5	-85	4	14	UpUnc	2020-04-28T15:09:25+08:00	!
24e124126a146579	868300000	SF7BW125	10.2	-75	4	13	UpUnc	2020-04-28T15:04:25+08:00	!

Click "Details" to check the properties and payload contents of packets.

Packets Details

Fcnt	14
Port	85
Modulation	LORA
Bandwidth	125
SpreadFactor	7
Bitrate	0
CodeRate	4/5
SNR	8.5
RSSI	-85
Power	-
Payload(b64)	A3cYAA==
Payload(hex)	03771800
MIC	f5acdeb2

[END]