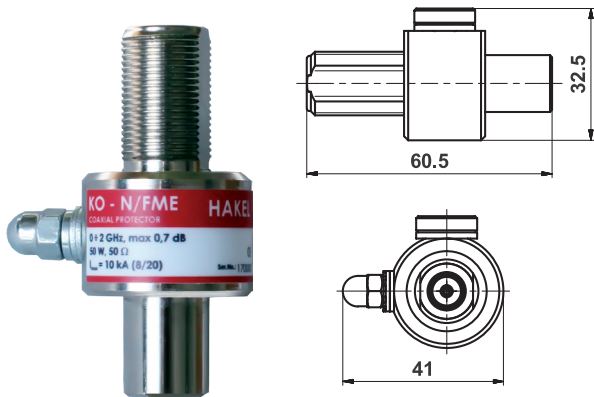


Coaxial high-frequency protection

LPZ 0_B-1 / IP65 / CE



KO-N/FME

KO-N/FME is an innovated coaxial high-frequency protection range designed for protection of equipment connected to an aerial system by means of coaxial cables. Special gas discharge tubes with maximum discharge current $I_{max}(8/20) = 10\text{kA}$ ensure a reliable protection of the receiving and transmitting systems even against a lightning stroke nearby. Hakel company offers a wide range of coaxial protectors for various connector types and transmission power grades enabling usage in many applications. These coaxial protectors are recommended for use in the Lightning Protection Zones Concept at the boundaries of LPZ 0_{A(B)}-1 and higher according to EN 62305.

| Type | | KO-N/FME |
|---------------------------------------------------|-----------|--------------------|
| Connector type | | N/FME |
| Max. continuous operating voltage | U_C | 90 V |
| Rated load current | I_L | 5 A |
| D1 Max. lightning impulse current (10/350) | I_{imp} | 2 kA |
| C2 Max. discharge current (8/20) | I_{max} | 10 kA |
| C2 Nominal discharge current I_n (8/20) | I_n | 5 kA |
| C3 Voltage protection level at 1kV/ μs | U_p | 200 V |
| Frequency range | | 0-2 GHz |
| Max. transmission power capacity | | 50 W |
| Insertion loss | | < 0,7 dB |
| Return loss | | > 10 dB |
| Characteristic impedance | | 50 Ω |
| Category tested acc. to IEC 61643:21-2000 | | A2, B2, C2, C3, D1 |
| Article number | | 55 023 |