

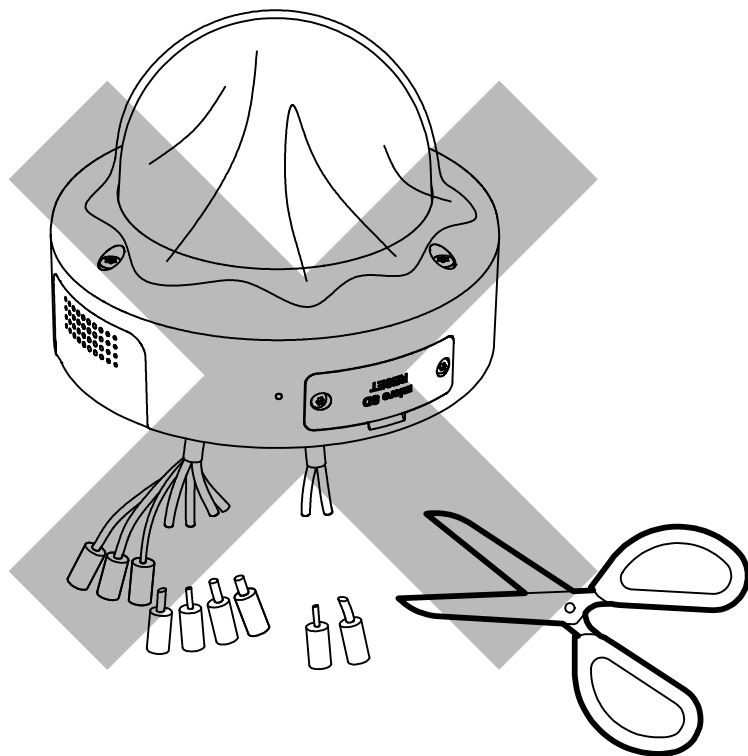
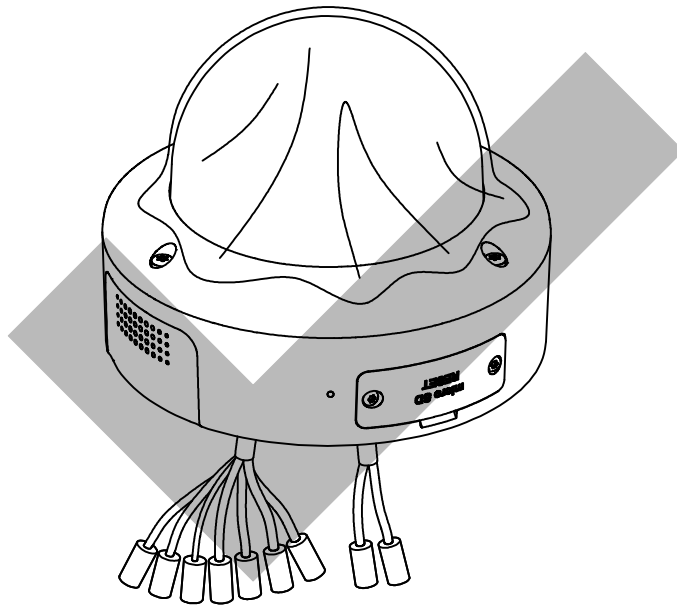
HIKVISION

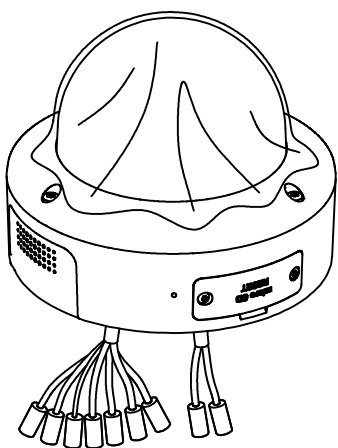
Network Camera

Quick Start Guide

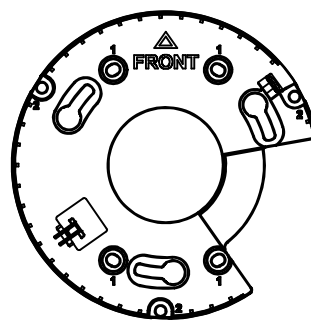


User Manual

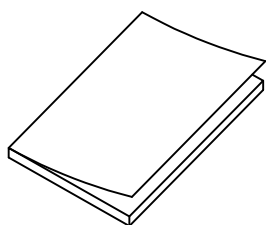




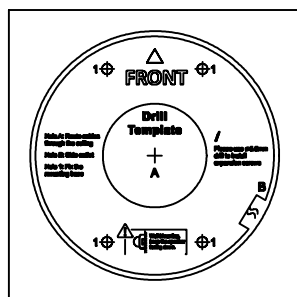
1x



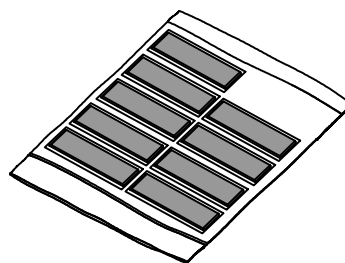
1x



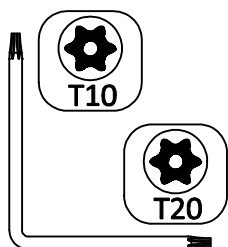
1x



1x



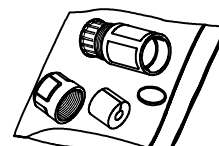
1x



1x



1x



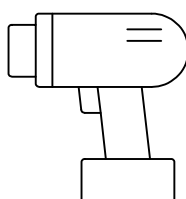
1x

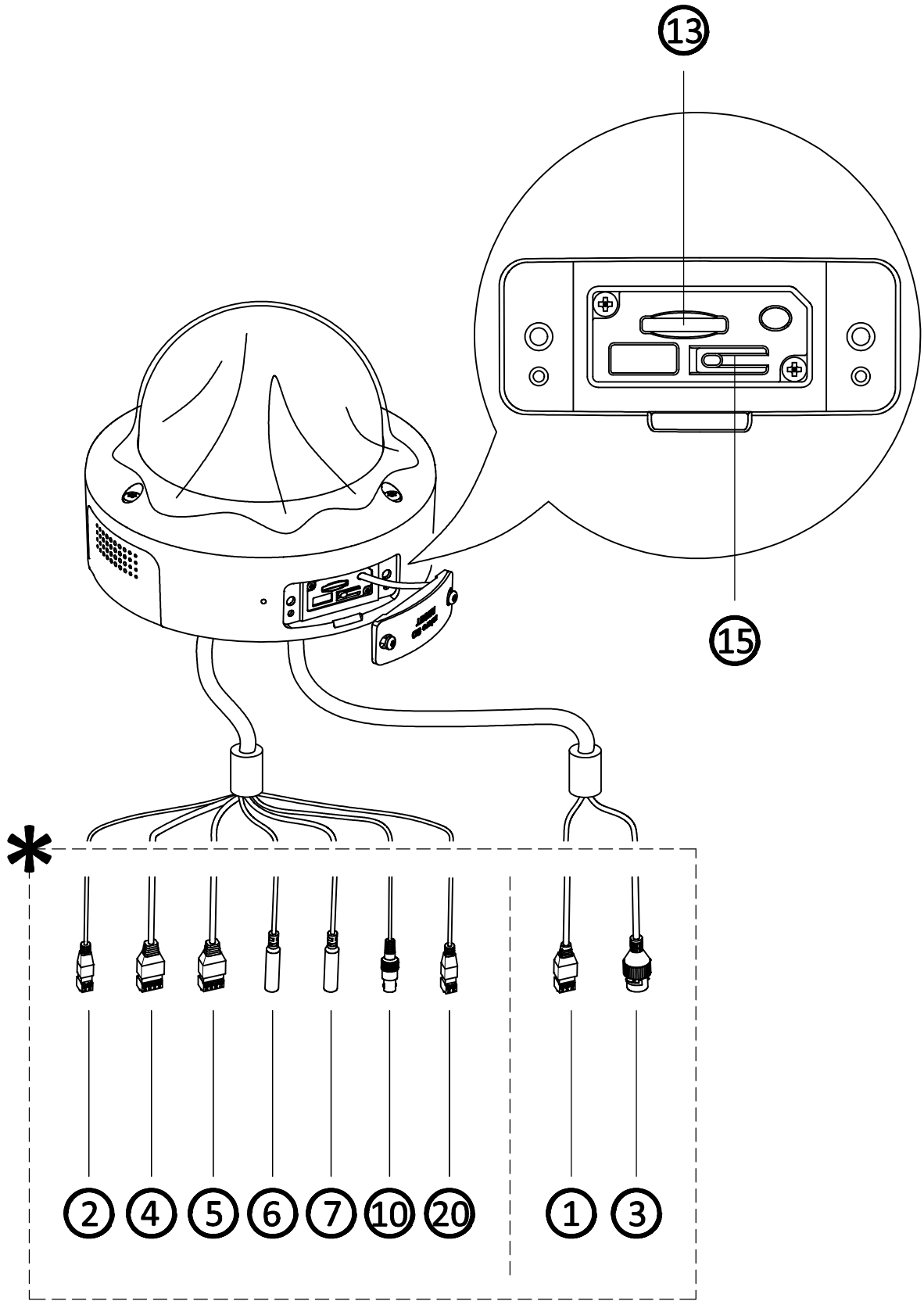


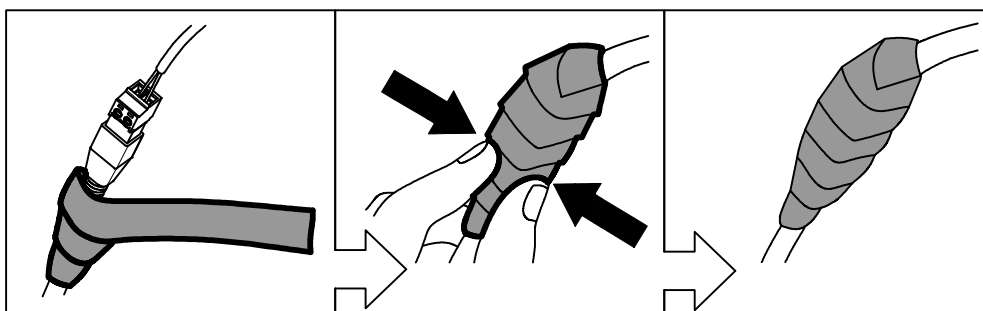
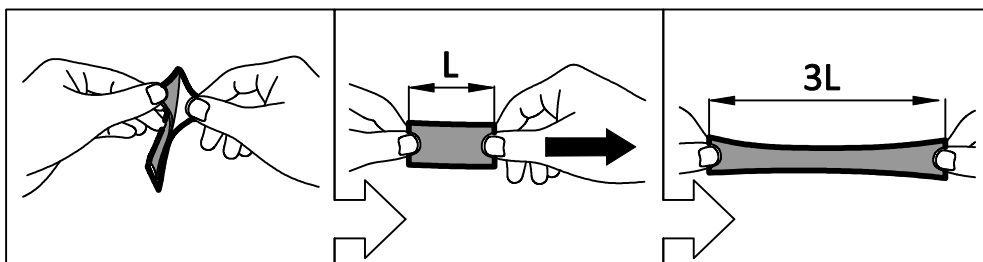
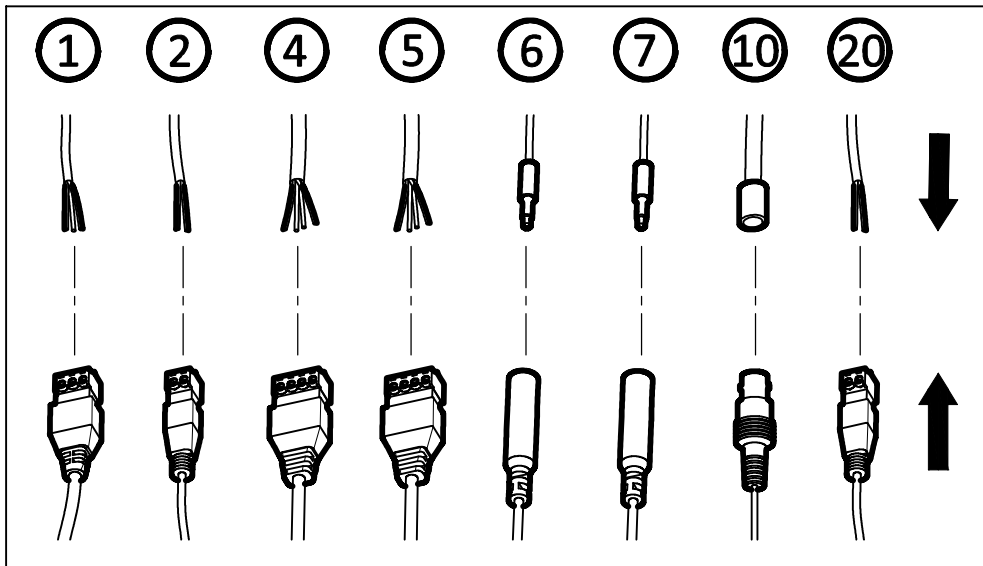
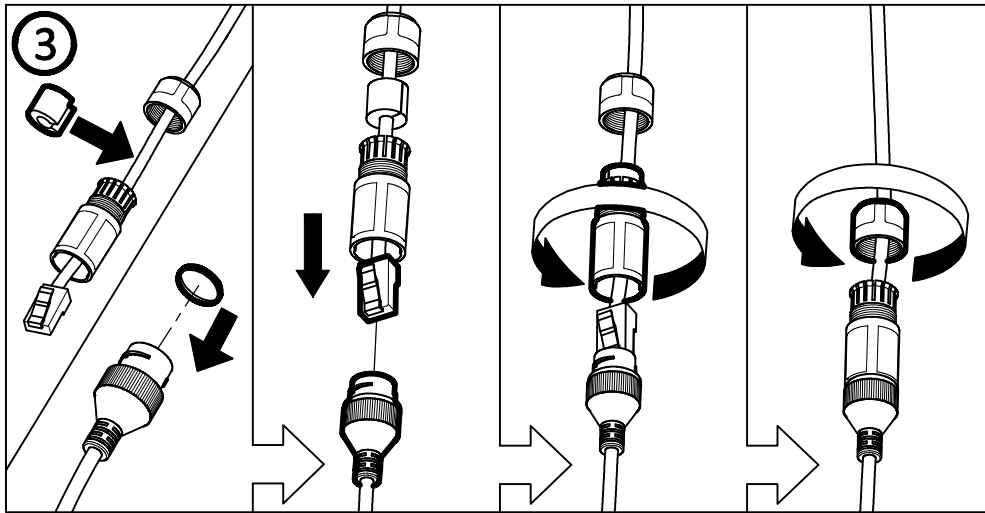
Ø50mm



Ø5.5mm

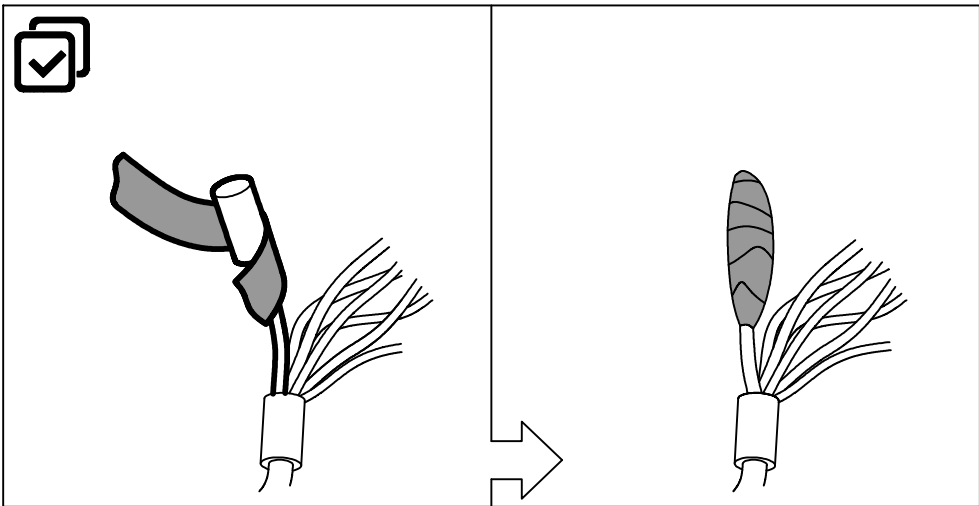
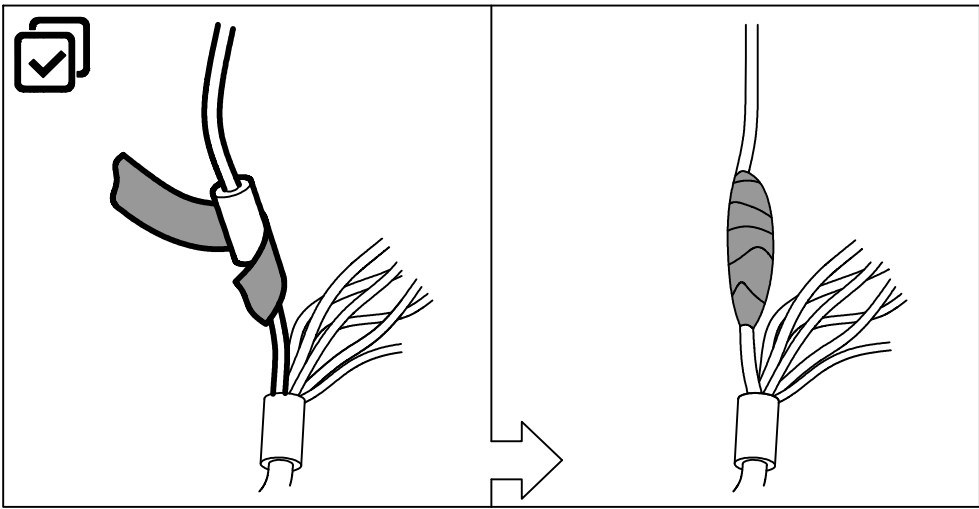




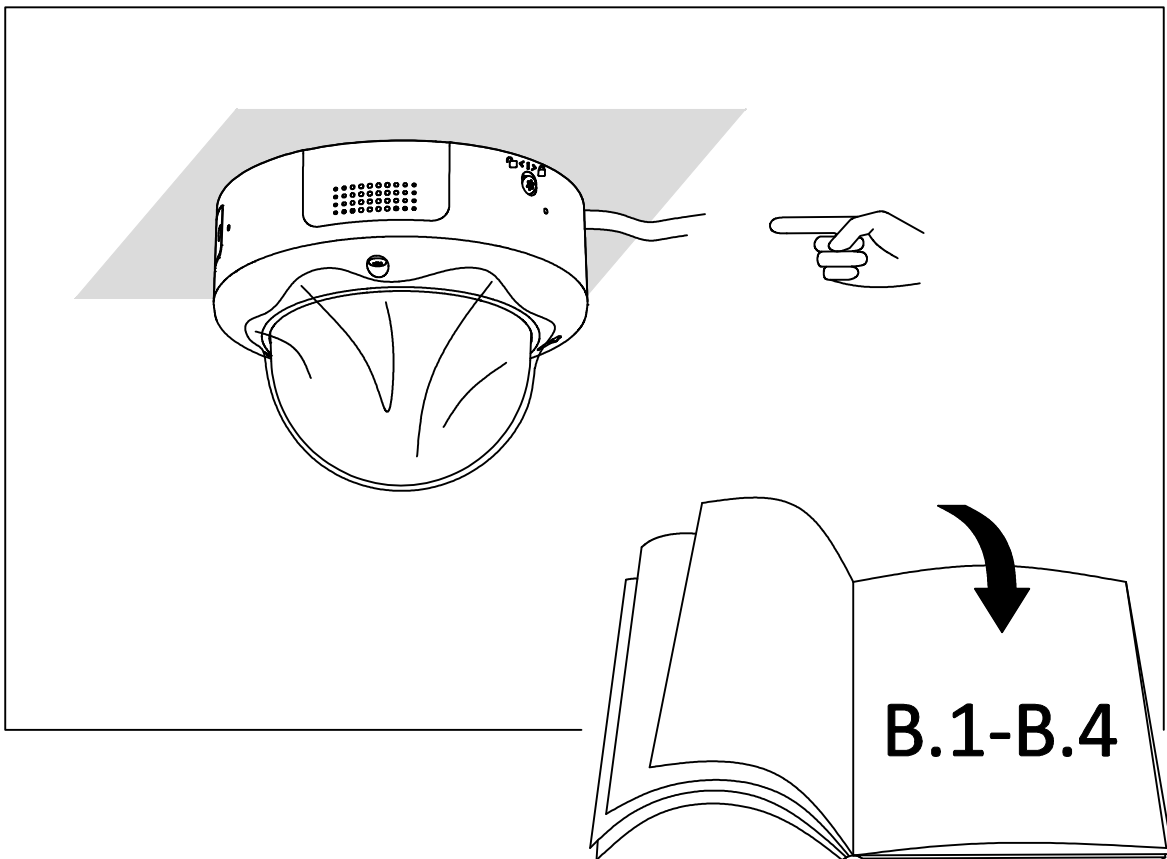
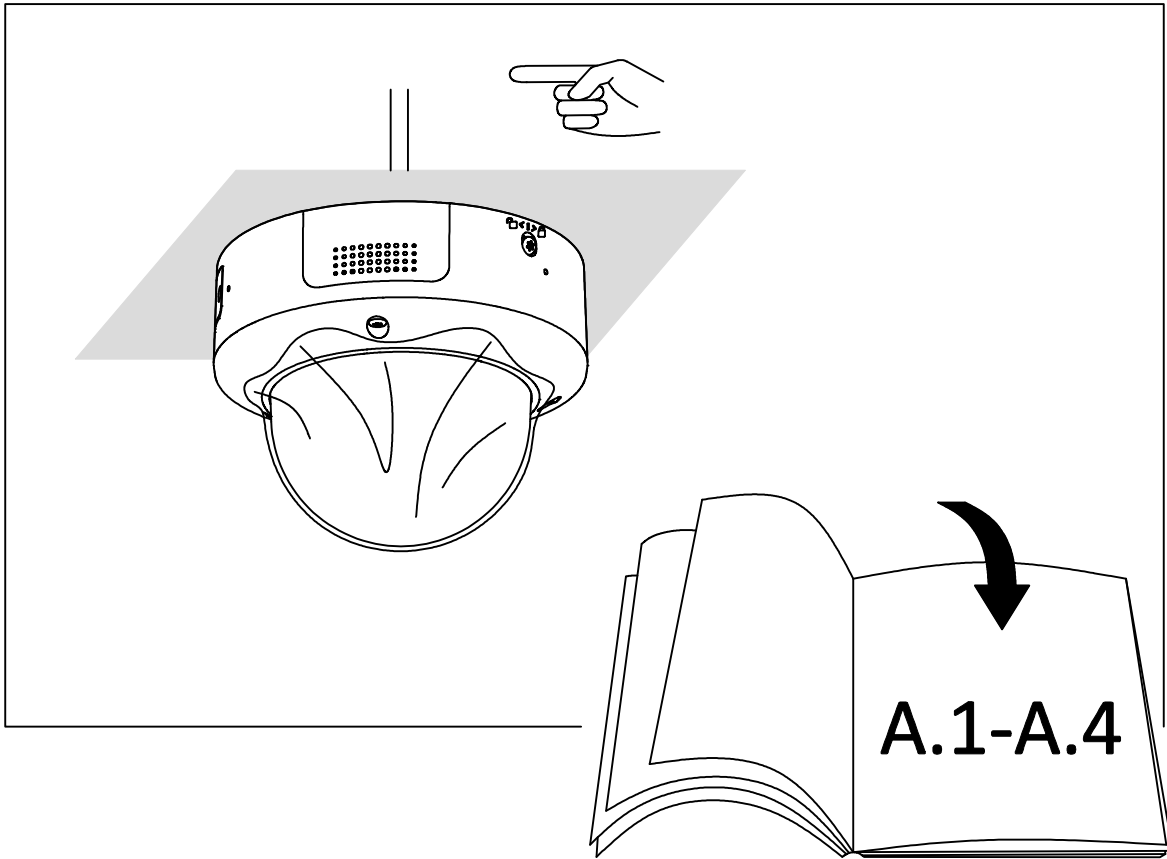




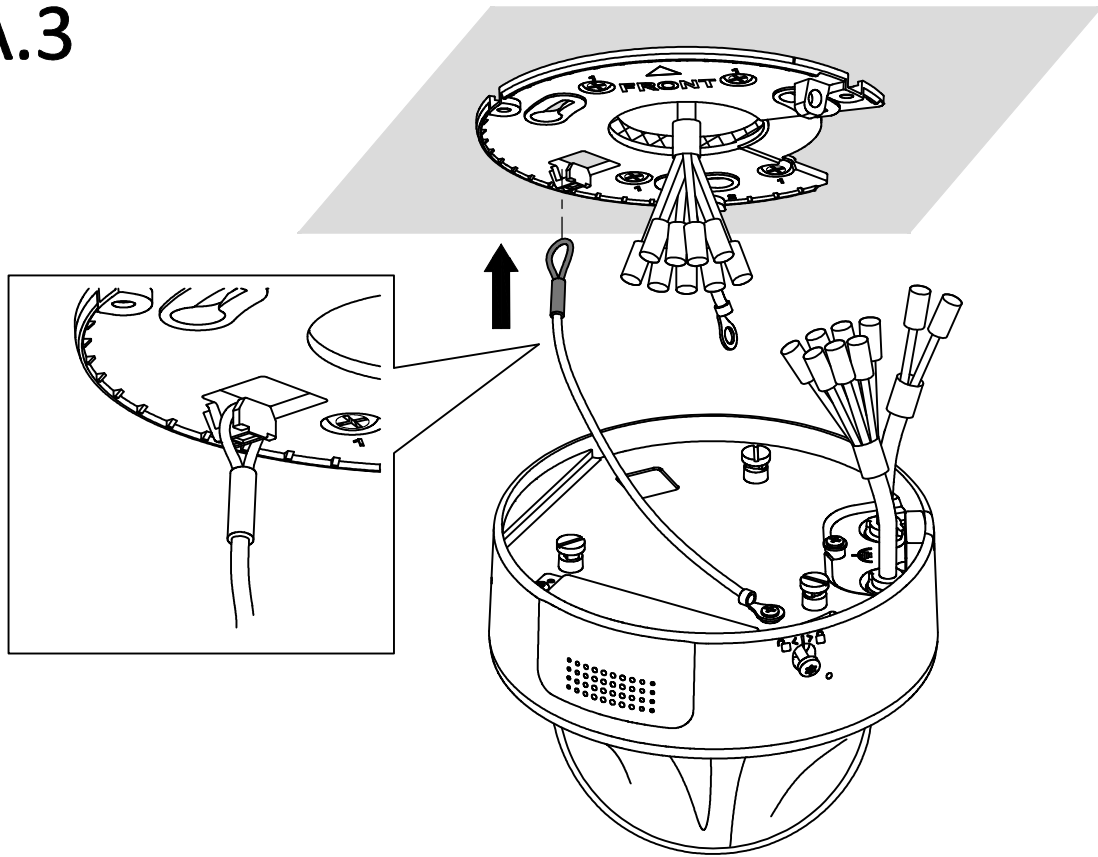
① / ② / ④ / ⑤ / ⑥ / ⑦ / ⑩ / ⑳



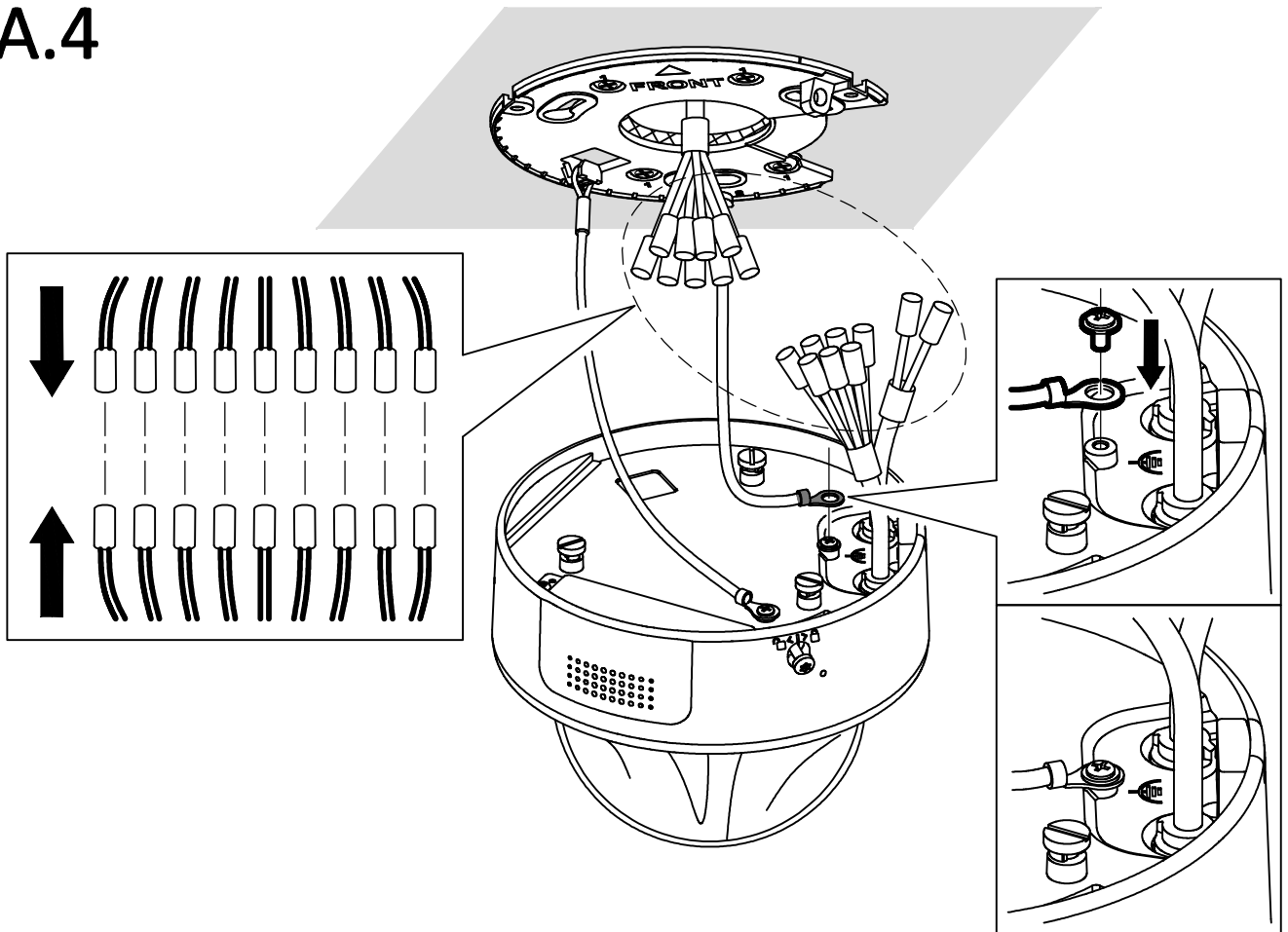
1.1



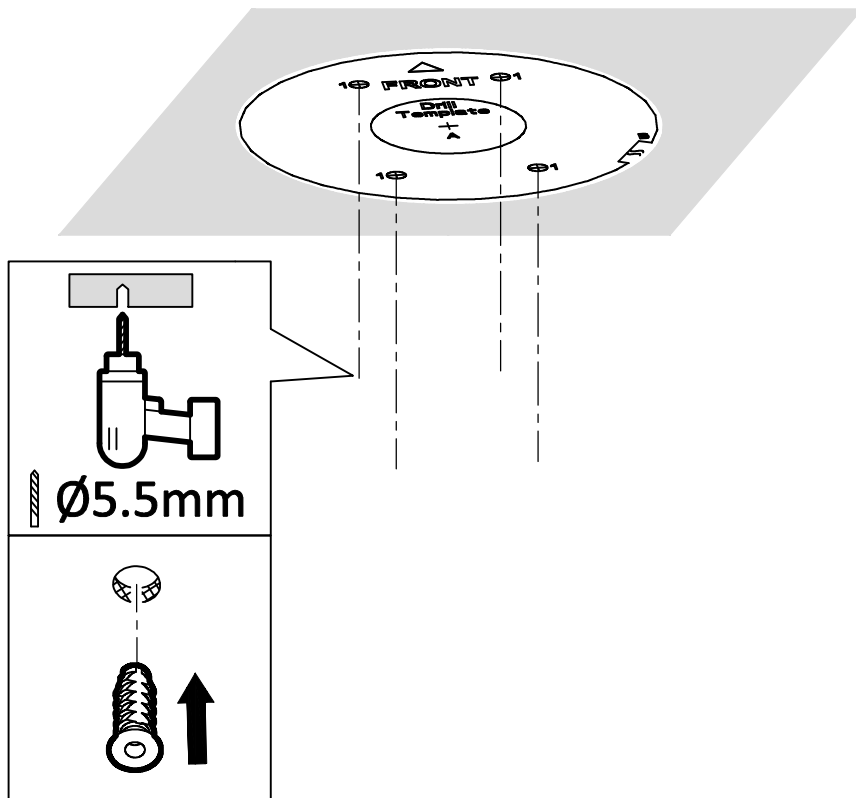
A.3



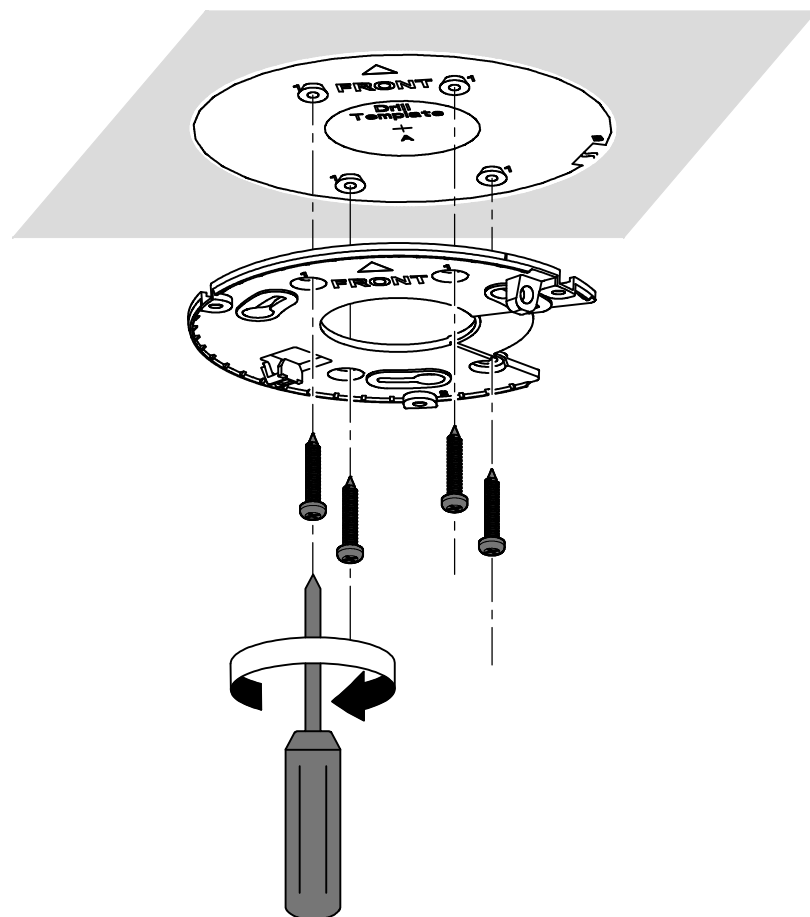
A.4



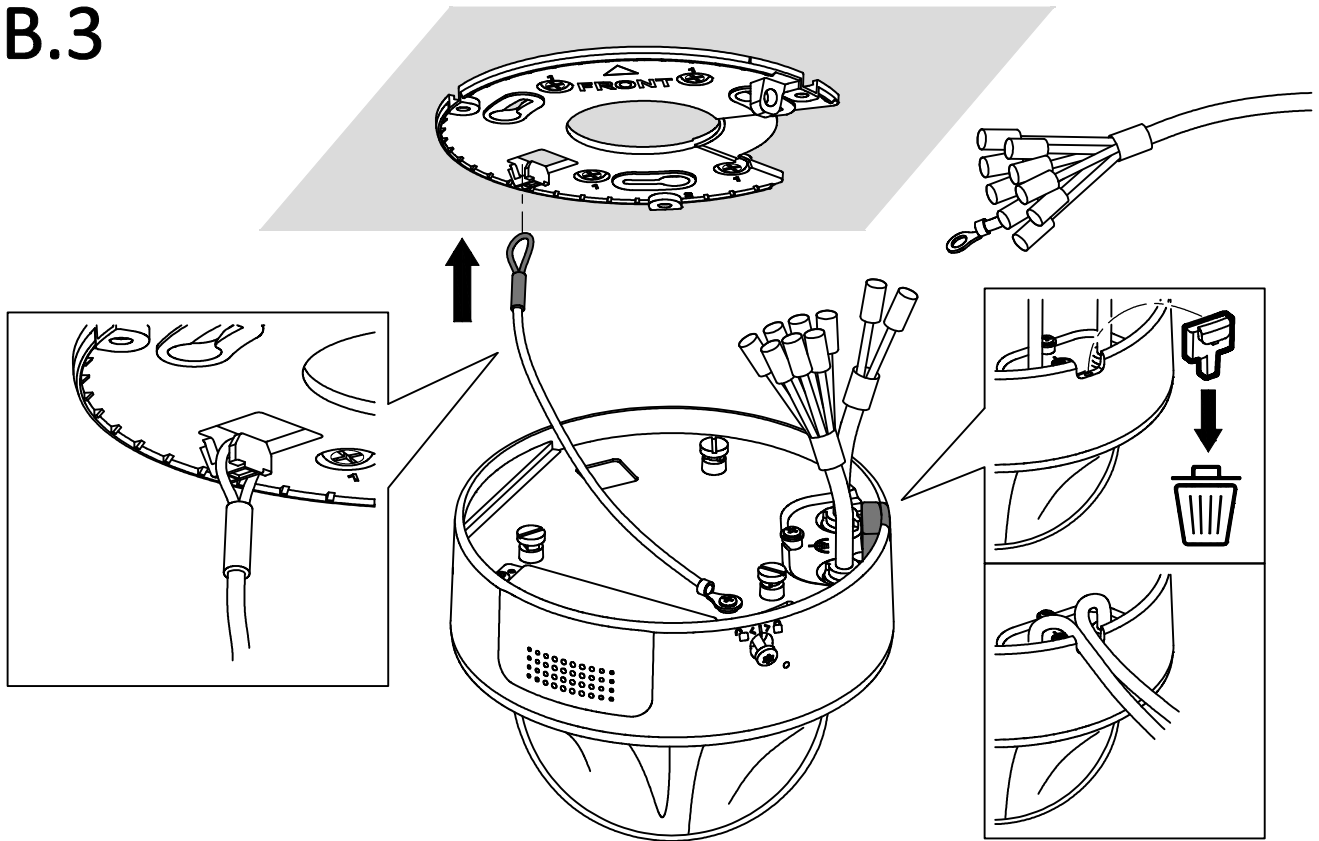
B.1



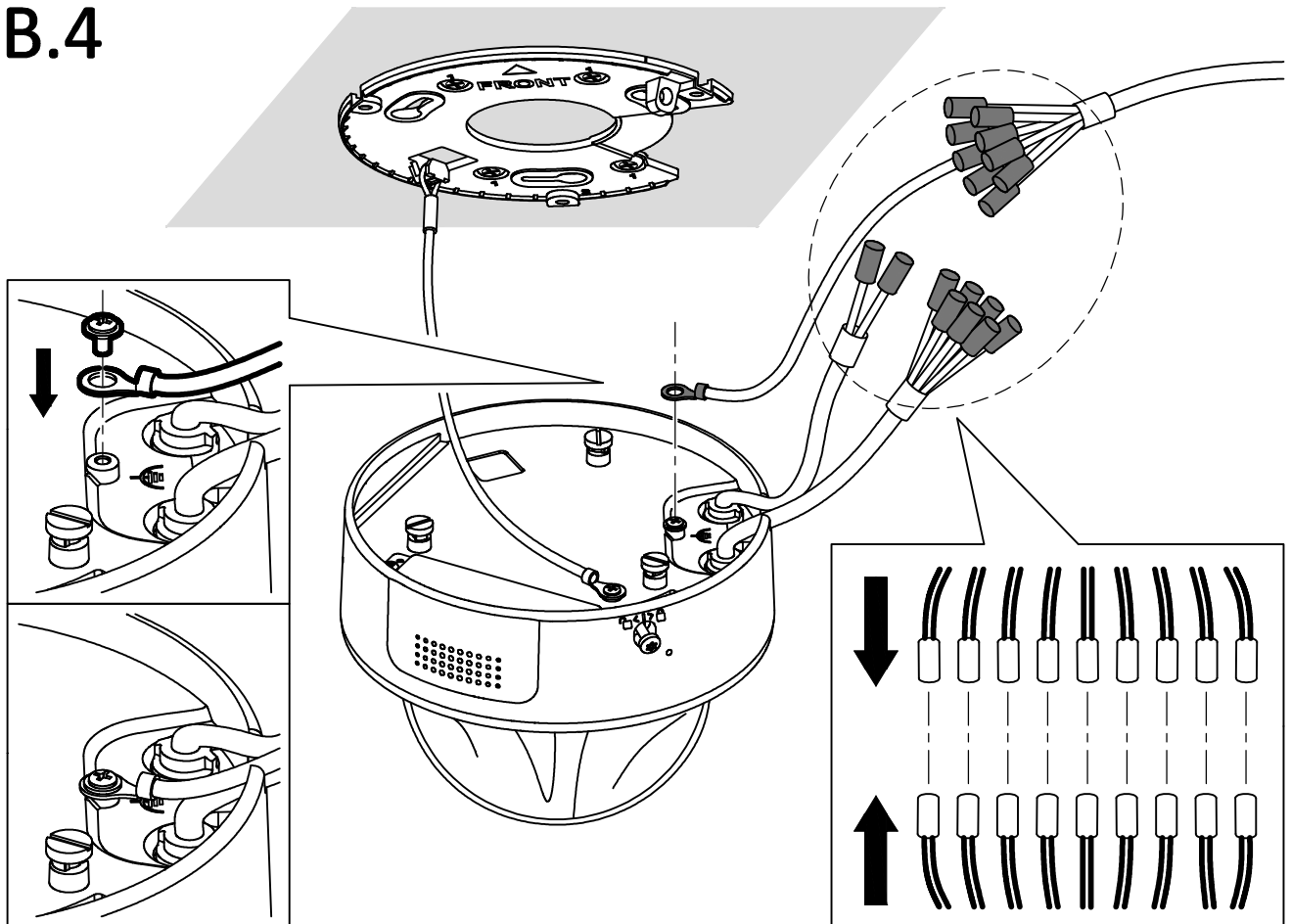
B.2

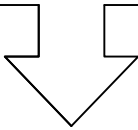
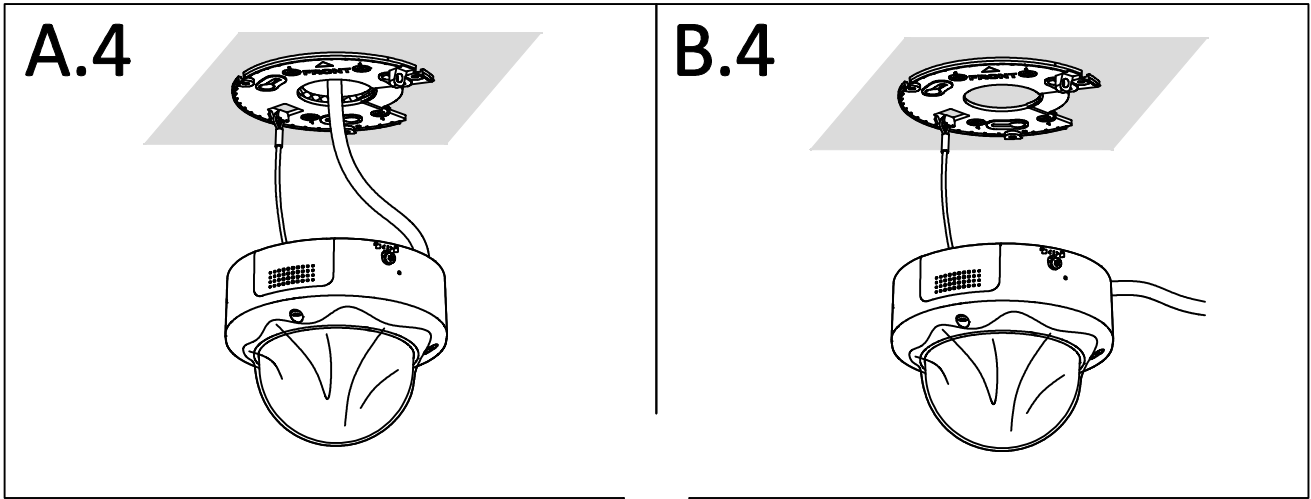


B.3

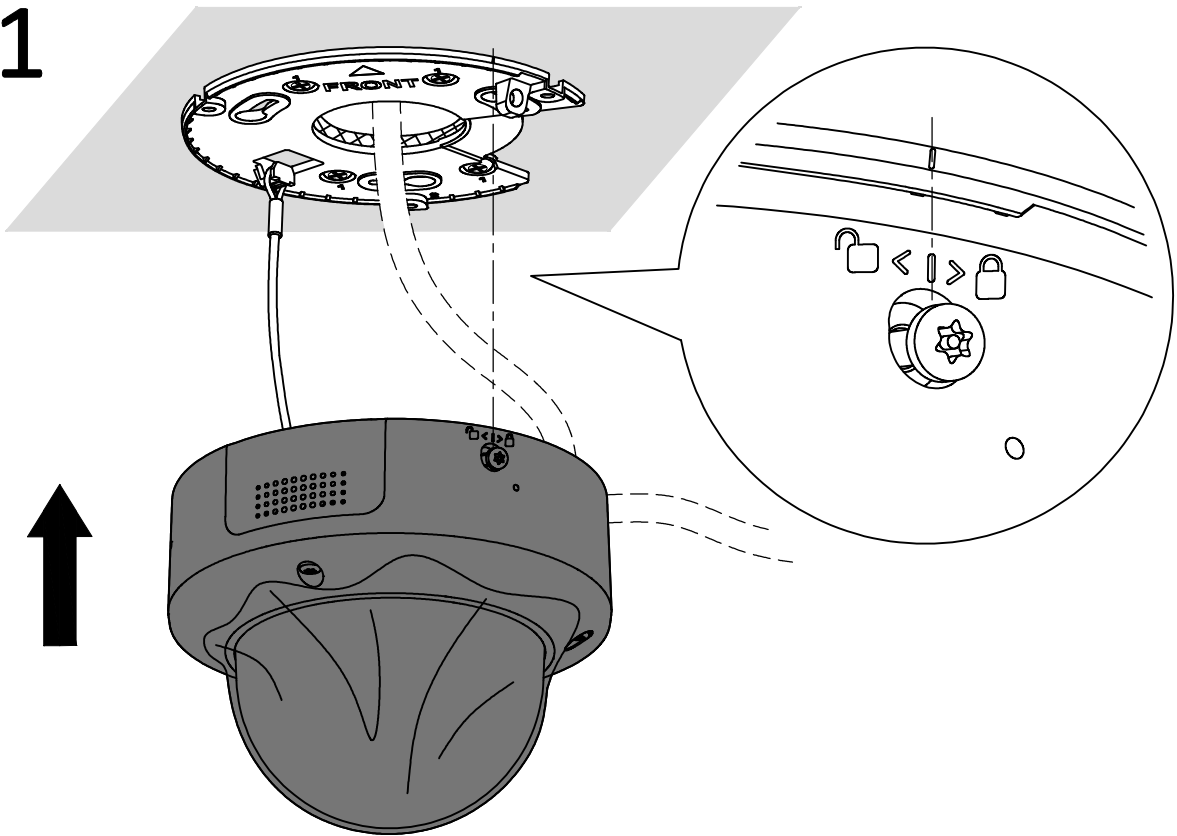


B.4

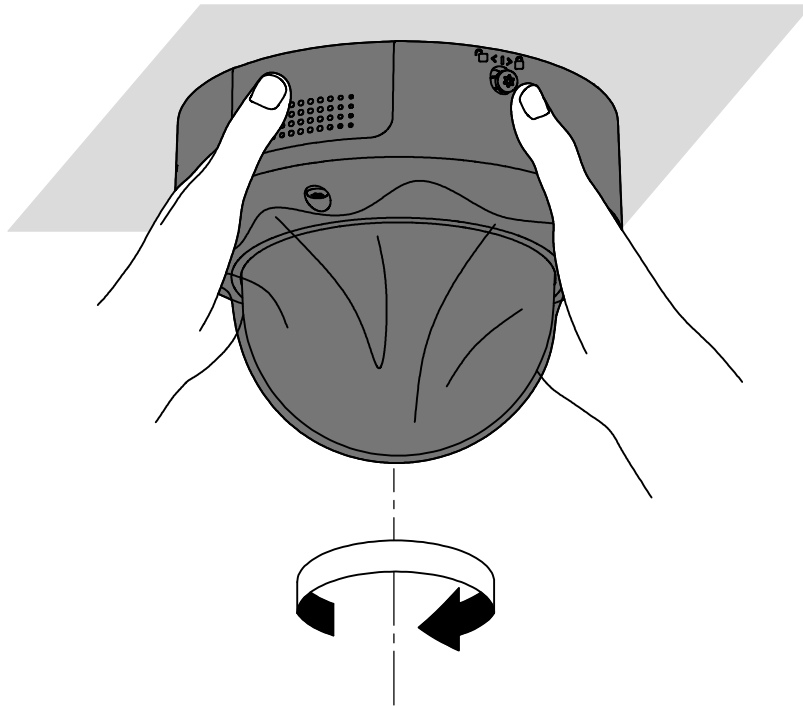




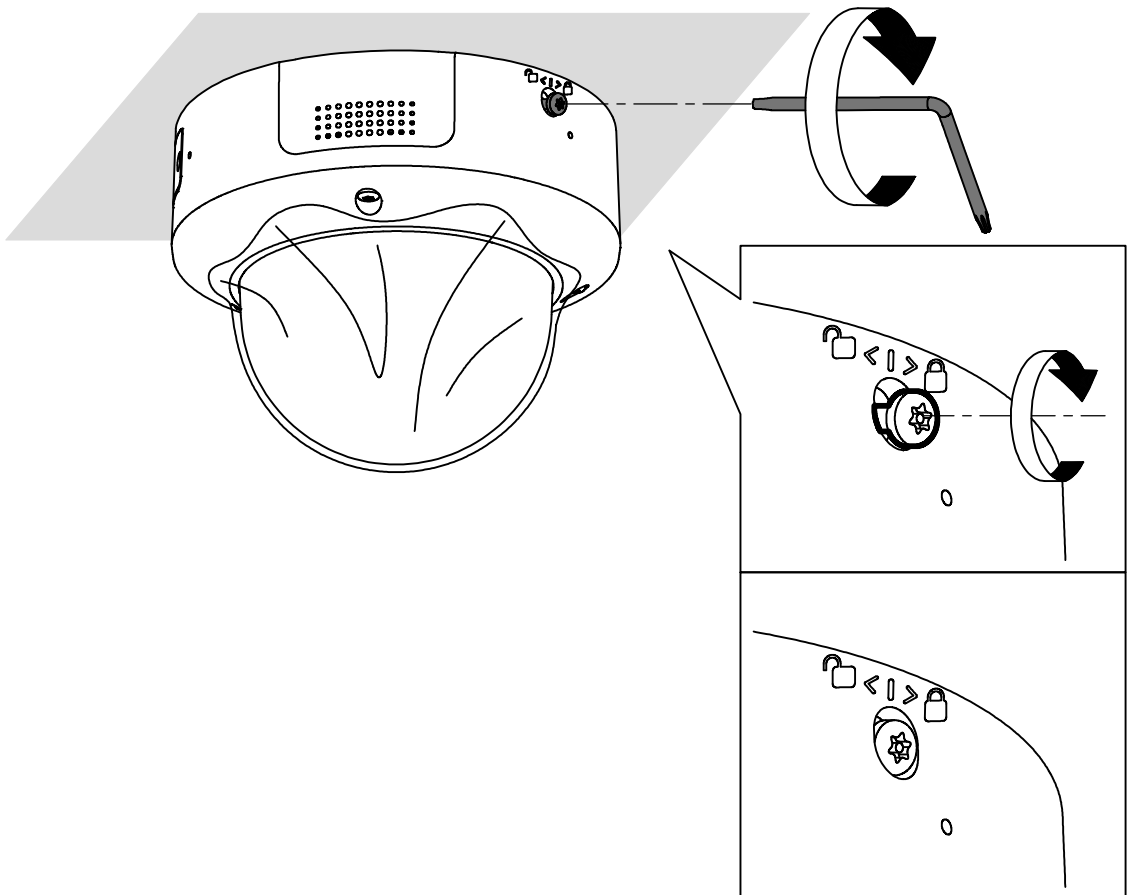
2.1



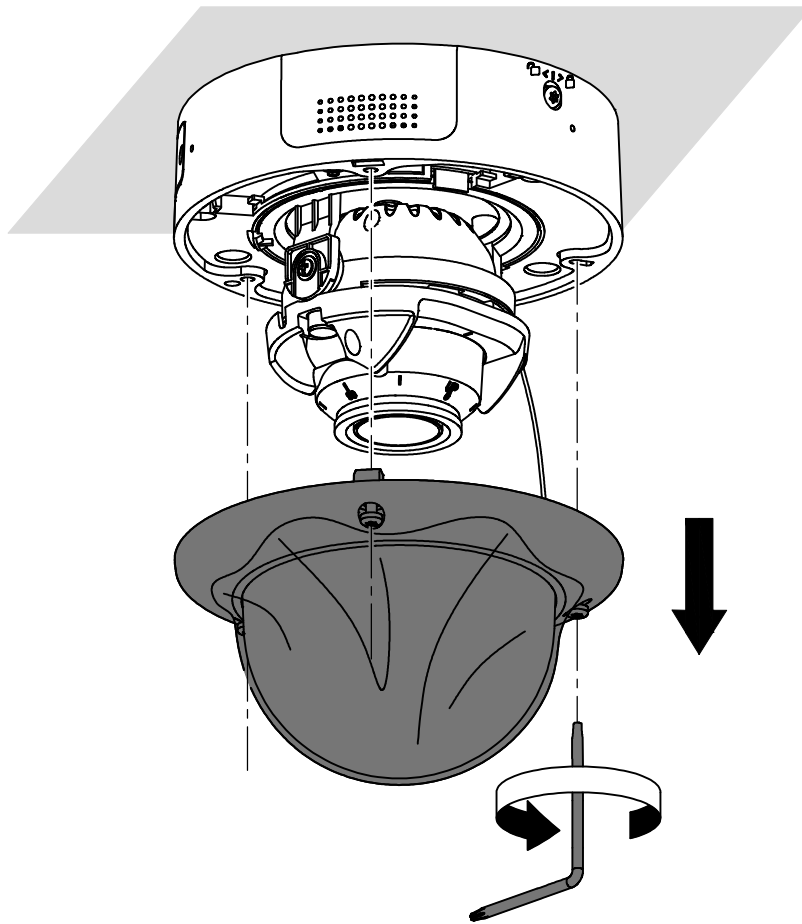
2.2



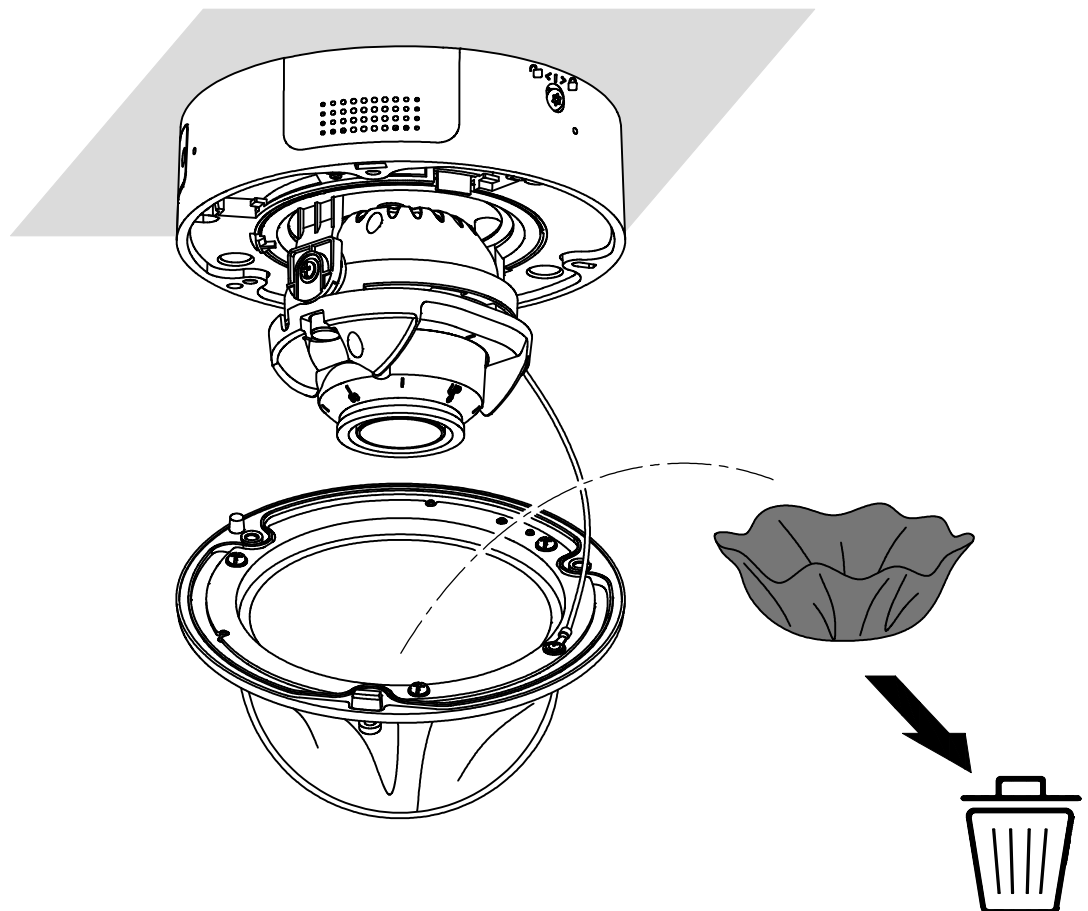
2.3



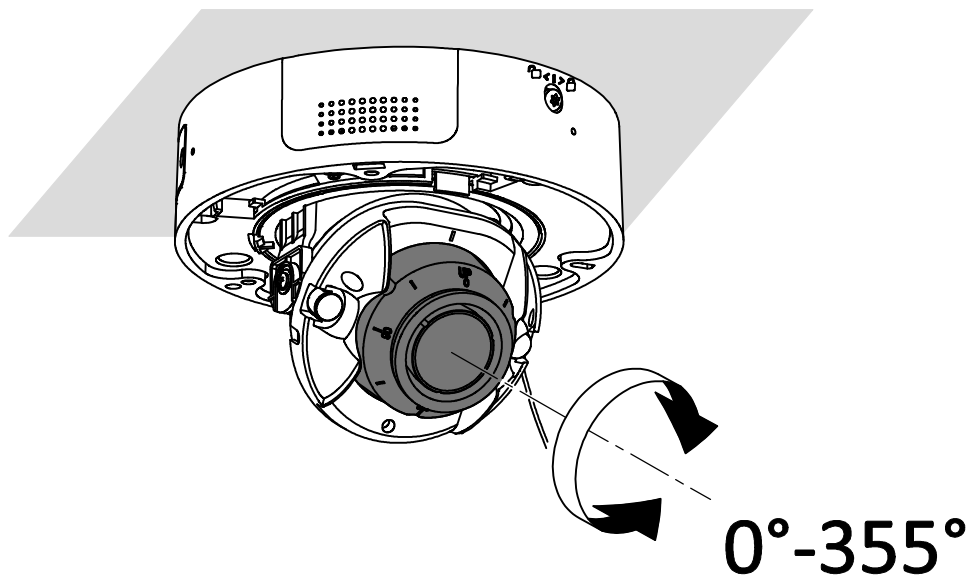
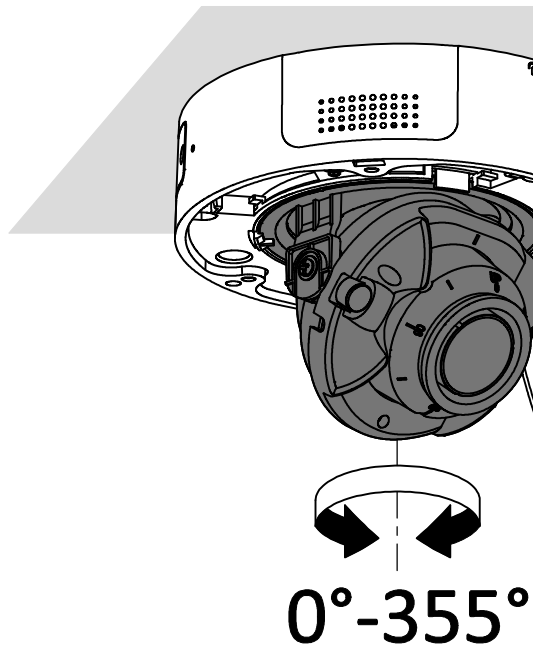
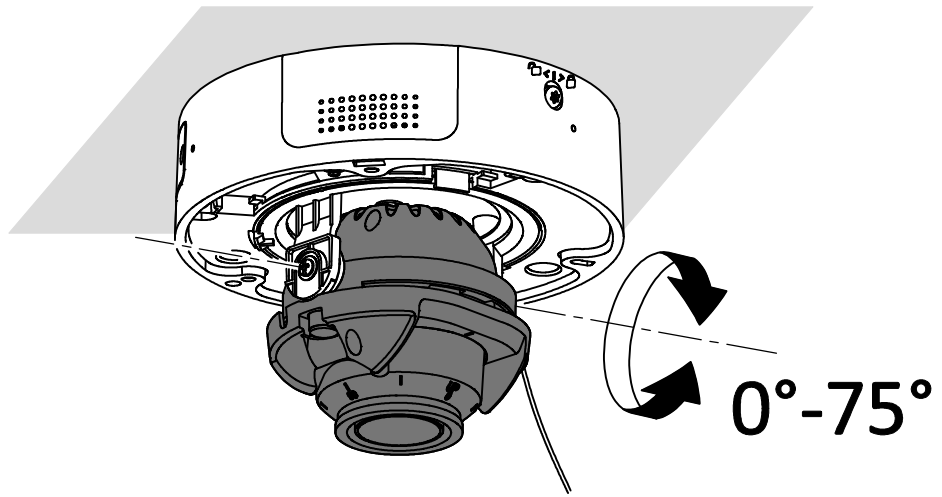
2.4



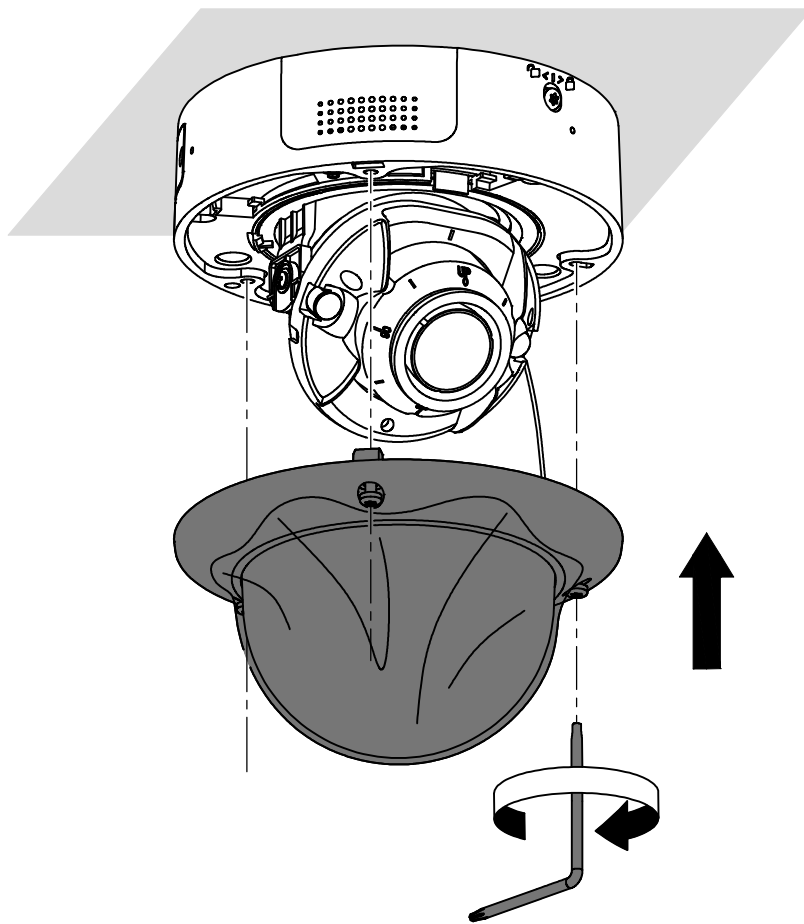
2.5



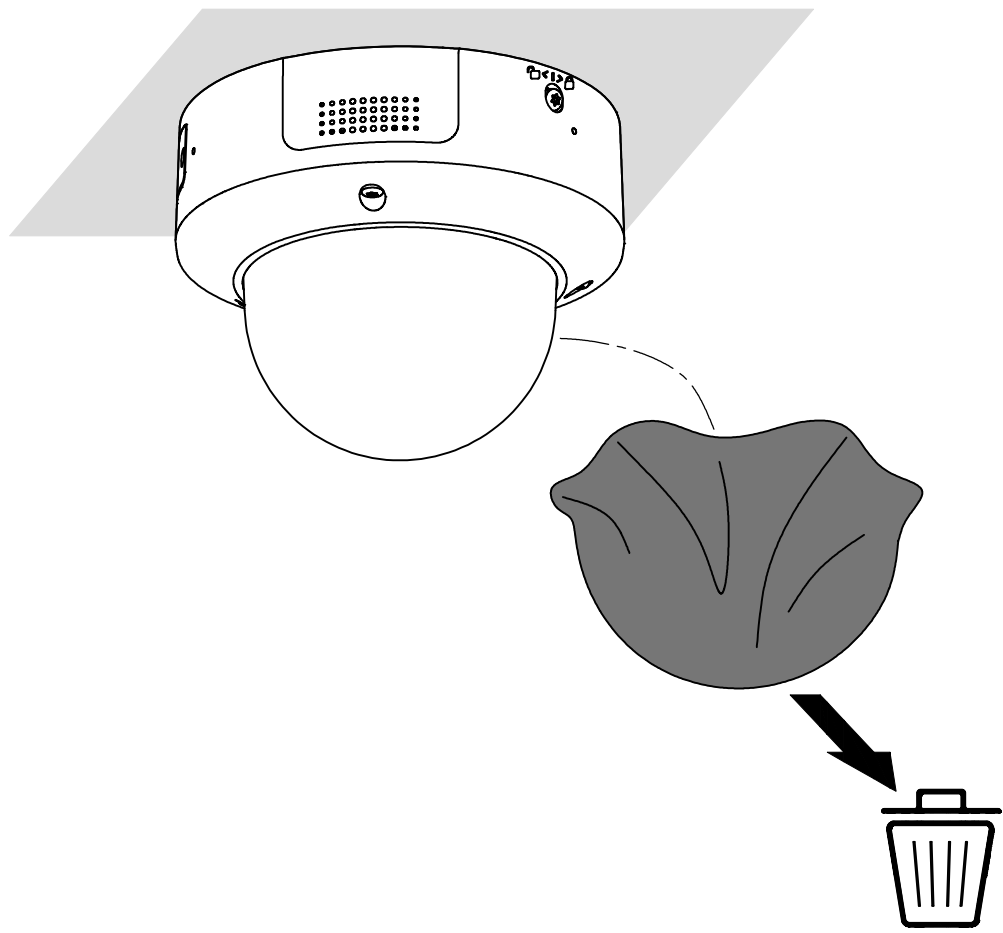
2.6

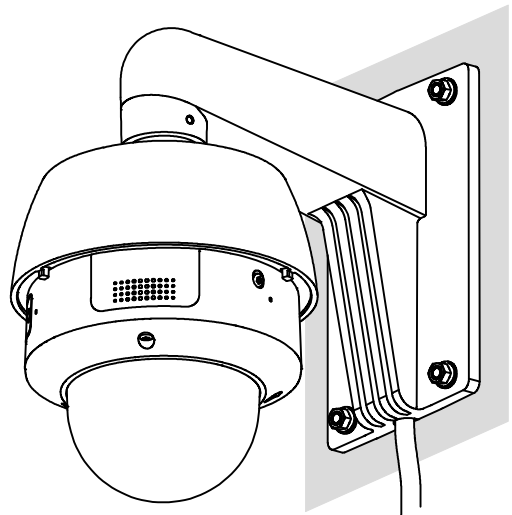
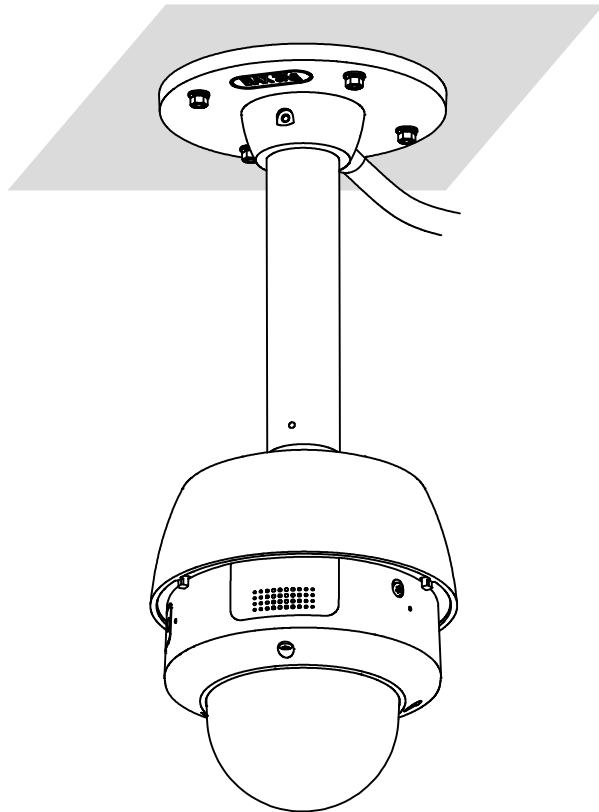
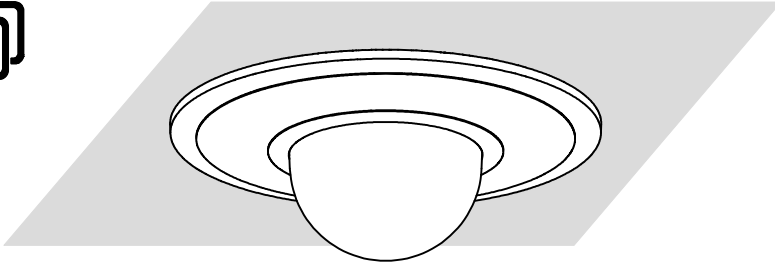


2.7



















2.8





Symbols and Marks

	Notice		<ul style="list-style-type: none"> i. Not necessarily included accessory. ii. Variable accessory amount. iii. Skip this step if not required.
	Warning	microSD 	MicroSD card
	Forbidden		Purchase separately
	Correct		Disposal
	Incorrect		Functional grounding
	Turn to page A and continue.		Grounding
	Other situations		Skip this step if not necessary
	Waterproof		Other situations omitted

Activate and Access Network Camera



Interface Introduction

1	Power input interface
2	Power output interface
3	Network interface
4	Alarm input interface
5	Alarm output interface
6	Audio input interface
7	Audio output interface
8	Built-in microphone
9	Built-in speaker
10	BNC/CVBS interface
11	HDMI interface
12	SDI interface
13	SD card slot
14	SIM card slot
15	Reset button
16	Fiber optical interface
17	Heater
18	USB
19	Antenna
20	RS-485
21	RS-232
22	ABF
23	Grounding
24	Wiegand interface
25	Solar panel
26	Battery switch
27	Debug power interface
28	Solar panel power interface
29	External solar panel interface
30	SOC debug serial port
31	MCU debug serial port
32	Video input interface
33	Video output interface
34	Aviation Plug

Note: The interface varies with the models. Please refer to the product datasheet for details.

©2022 Hangzhou Hikvision Digital Technology Co., Ltd. All rights reserved.

This Manual is the property of Hangzhou Hikvision Digital Technology Co., Ltd. or its affiliates (hereinafter referred to as "Hikvision"), and it cannot be reproduced, changed, translated, or distributed, partially or wholly, by any means, without the prior written permission of Hikvision. Unless otherwise expressly stated herein,

Hikvision does not make any warranties, guarantees or representations, express or implied, regarding to the Manual, any information contained herein.

About this Manual

The Manual includes instructions for using and managing the product. Pictures, charts, images and all other information hereinafter are for description and explanation only. The information contained in the Manual is subject to change, without notice, due to firmware updates or other reasons. Please find the latest version in the company website (<https://www.hikvision.com>).

Please use this user manual under the guidance of professionals.

Trademarks Acknowledgement

HIKVISION and other Hikvision's trademarks and logos are the properties of Hikvision in various jurisdictions. Other trademarks and logos mentioned below are the properties of their respective owners. Other trademarks and logos mentioned are the properties of their respective owners.

Legal Disclaimer

TO THE MAXIMUM EXTENT PERMITTED BY APPLICABLE LAW, THIS MANUAL AND THE PRODUCT DESCRIBED, WITH ITS HARDWARE, SOFTWARE AND FIRMWARE, ARE PROVIDED "AS IS" AND "WITH ALL FAULTS AND ERRORS". HIKVISION MAKES NO WARRANTIES, EXPRESS OR IMPLIED, INCLUDING WITHOUT LIMITATION, MERCHANTABILITY, SATISFACTORY QUALITY, OR FITNESS FOR A PARTICULAR PURPOSE. THE USE OF THE PRODUCT BY YOU IS AT YOUR OWN RISK. IN NO EVENT WILL HIKVISION BE LIABLE TO YOU FOR ANY SPECIAL, CONSEQUENTIAL, INCIDENTAL, OR INDIRECT DAMAGES, INCLUDING, AMONG OTHERS, DAMAGES FOR LOSS OF BUSINESS PROFITS, BUSINESS INTERRUPTION, OR LOSS OF DATA, CORRUPTION OF SYSTEMS, OR LOSS OF DOCUMENTATION, WHETHER BASED ON BREACH OF CONTRACT, TORT (INCLUDING NEGLIGENCE), PRODUCT LIABILITY, OR OTHERWISE, IN CONNECTION WITH THE USE OF THE PRODUCT, EVEN IF HIKVISION HAS BEEN ADVISED OF THE POSSIBILITY OF SUCH DAMAGES OR LOSS.

YOU ACKNOWLEDGE THAT THE NATURE OF INTERNET PROVIDES FOR INHERENT SECURITY RISKS, AND HIKVISION SHALL NOT TAKE ANY RESPONSIBILITIES FOR ABNORMAL OPERATION, PRIVACY LEAKAGE OR OTHER DAMAGES RESULTING FROM CYBER-ATTACK, HACKER

ATTACK, VIRUS INFECTION, OR OTHER INTERNET SECURITY RISKS; HOWEVER, HIKVISION WILL PROVIDE TIMELY TECHNICAL SUPPORT IF REQUIRED. YOU AGREE TO USE THIS PRODUCT IN COMPLIANCE WITH ALL APPLICABLE LAWS, AND YOU ARE SOLELY RESPONSIBLE FOR ENSURING THAT YOUR USE CONFORMS TO THE APPLICABLE LAW. ESPECIALLY, YOU ARE RESPONSIBLE, FOR USING THIS PRODUCT IN A MANNER THAT DOES NOT INFRINGE ON THE RIGHTS OF THIRD PARTIES, INCLUDING WITHOUT LIMITATION, RIGHTS OF PUBLICITY, INTELLECTUAL PROPERTY RIGHTS, OR DATA PROTECTION AND OTHER PRIVACY RIGHTS. YOU SHALL NOT USE THIS PRODUCT FOR ANY PROHIBITED END-USES, INCLUDING THE DEVELOPMENT OR PRODUCTION OF WEAPONS OF MASS DESTRUCTION, THE DEVELOPMENT OR PRODUCTION OF CHEMICAL OR BIOLOGICAL WEAPONS, ANY ACTIVITIES IN THE CONTEXT RELATED TO ANY NUCLEAR EXPLOSIVE OR UNSAFE NUCLEAR FUEL-CYCLE, OR IN SUPPORT OF HUMAN RIGHTS ABUSES. IN THE EVENT OF ANY CONFLICTS BETWEEN THIS MANUAL AND THE APPLICABLE LAW, THE LATTER PREVAILS.

Regulatory Information

FCC Information

Please take attention that changes or modification not expressly approved by the party responsible for compliance could void the user's authority to operate the equipment.

FCC compliance: This equipment has been tested and found to comply with the limits for a Class B digital device, pursuant to part 15 of the FCC Rules. These limits are designed to provide reasonable protection against harmful interference in a residential installation. This equipment generates, uses and can radiate radio frequency energy and, if not installed and used in accordance with the instructions, may cause harmful interference to radio communications. However, there is no guarantee that interference will not occur in a particular installation. If this equipment does cause harmful interference to radio or television reception, which can be determined by turning the equipment off and on, the user is encouraged to try to correct the interference by one or more of the following measures:

- Reorient or relocate the receiving antenna.
- Increase the separation between the equipment and receiver.
- Connect the equipment into an outlet on a circuit

different from that to which the receiver is connected. —Consult the dealer or an experienced radio/TV technician for help.

* Wi-Fi device:

This equipment should be installed and operated with a minimum distance 20cm between the radiator and your body.

FCC Conditions

This device complies with part 15 of the FCC Rules. Operation is subject to the following two conditions:

1. This device may not cause harmful interference.
2. This device must accept any interference received, including interference that may cause undesired operation

EU Conformity Statement



This product and - if applicable - the supplied accessories too are marked with "CE" and comply therefore with the applicable harmonized European standards listed under the EMC Directive 2014/30/EU, the LVD Directive 2014/35/EU, the RoHS Directive 2011/65/EU, Wi-Fi device: the RE Directive 2014/53/EU



2012/19/EU (WEEE directive): Products marked with this symbol cannot be disposed of as unsorted municipal waste in the European Union. For proper recycling, return this product to your local supplier upon the purchase of equivalent new equipment, or dispose of it at designated collection points. For more information see: www.recyclethis.info



2006/66/EC (battery directive): This product contains a battery that cannot be disposed of as unsorted municipal waste in the European Union. See the product documentation for specific battery information. The battery is marked with this symbol, which may include lettering to indicate cadmium (Cd), lead (Pb), or mercury (Hg). For proper recycling, return the battery to your supplier or to a designated collection point. For more information see: www.recyclethis.info

Industry Canada ICES-003 Compliance

This device meets the CAN ICES-3 (B)/NMB-3(B) standards requirements.

* Wi-Fi device:

This device complies with Industry Canada licence-exempt RSS standard(s). Operation is subject to the following two conditions:

- (1) this device may not cause interference, and

(2) this device must accept any interference, including interference that may cause undesired operation of the device.

Le présent appareil est conforme aux CNR d'Industrie Canada applicables aux appareils radioexempts de licence. L'exploitation est autorisée aux deux conditions suivantes :

(1) l'appareil ne doit pas produire de brouillage, et
(2) l'utilisateur de l'appareil doit accepter tout brouillage radioélectrique subi, même si le brouillage est susceptible d'en compromettre le fonctionnement.

Under Industry Canada regulations, this radio transmitter may only operate using an antenna of a type and maximum (or lesser) gain approved for the transmitter by Industry Canada. To reduce potential radio interference to other users, the antenna type and its gain should be so chosen that the equivalent isotropically radiated power (e.i.r.p.) is not more than that necessary for successful communication.

Conformément à la réglementation d'Industrie Canada, le présent émetteur radio peut fonctionner avec une antenne d'un type et d'un gain maximal (ou inférieur) approuvé pour l'émetteur par Industrie Canada. Dans le but de réduire les risques de brouillage radioélectrique à l'intention des autres utilisateurs, il faut choisir le type d'antenne et son gain de sorte que la puissance isotrope rayonnée équivalente (p.i.r.e.) ne dépasse pas l'intensité nécessaire à l'établissement d'une communication satisfaisante.

This equipment should be installed and operated with a minimum distance 20cm between the radiator and your body.

Cet équipement doit être installé et utilisé à une distance minimale de 20 cm entre le radiateur et votre corps.

KC

Class B: This device is intended for mainly home use (Class B) and may be used in all areas.

B급기기: 이 기기는 가정용(B급) 전자파적합기기로써 주로 가정에서 사용하는 것을 목적으로 하며, 모든 지역에서 사용할 수 있습니다.

Safety Instruction

These instructions are intended to ensure that the user can use the product correctly to avoid danger or property loss.

Laws and Regulations

The device should be used in compliance with local

laws, electrical safety regulations, and fire prevention regulations.

Electricity

In the use of the product, you must be in strict compliance with the electrical safety regulations of the nation and region. The equipment shall not be exposed to dripping or splashing and that no objects filled with liquids, such as vases, shall be placed on the equipment. Provide a surge suppressor at the inlet opening of the equipment under special conditions such as the mountain top, iron tower, and forest. CAUTION: To reduce the risk of fire, replace only with the same type and rating of fuse.

Battery

Do not ingest battery. Chemical burn hazard! This product contains a coin/button cell battery. If the coin/button cell battery is swallowed, it can cause severe internal burns in just 2 hours and can lead to death. Keep new and used batteries away from children. If the battery compartment does not close securely, stop using the product and keep it away from children. If you think batteries might have been swallowed or placed inside any part of the body, seek immediate medical attention. CAUTION: Risk of explosion if the battery is replaced by an incorrect type. Dispose of used batteries according to the instructions.

ATTENTION: IL Y A RISQUE D'EXPLOSION SI LA BATTERIE EST REMPLACÉE PAR UNE BATTERIE DE TYPE INCORRECT. METTRE AU REBUT LES BATTERIES USAGÉES CONFORMÉMENT AUX INSTRUCTIONS.

Improper replacement of the battery with an incorrect type may defeat a safeguard (for example, in the case of some lithium battery types). Do not dispose of the battery into fire or a hot oven, or mechanically crush or cut the battery, which may result in an explosion. Do not leave the battery in an extremely high temperature surrounding environment, which may result in an explosion or the leakage of flammable liquid or gas. Do not subject the battery to extremely low air pressure, which may result in an explosion or the leakage of flammable liquid or gas. + identifies the positive terminal(s) of equipment which is used with, or generates direct current. - identifies the negative terminal(s) of equipment which is used with, or generates direct current.

Fire Prevention

No naked flame sources, such as lighted candles, should be placed on the equipment. The serial port of the equipment is used for debugging only.

Hot Surface Prevention

CAUTION: Hot parts! Burned fingers when handling the parts. Wait one-half hour after switching off before handling parts. This sticker is to indicate that the marked item can be hot



and should not be touched without taking care. For device with this sticker, this device is intended for installation in a restricted access location, access can only be gained by service persons or by users who have been instructed about the reasons for the restrictions applied to the location and about any precautions that shall be taken.

Installation

Install the equipment according to the instructions in this manual. To prevent injury, this equipment must be securely attached to the floor/wall in accordance with the installation instructions. Never place the equipment in an unstable location. The equipment may fall, causing serious personal injury or death.

Power Supply

Device powered by Safety Extra-Low Voltage(SELV): The power source should meet limited power source or PS2 requirements according to IEC 60950-1 or IEC 62368-1 standard.

Device powered by AC mains supply voltage: The equipment must be connected to an earthed mains socket-outlet. An appropriate readily accessible disconnect device shall be incorporated external to the equipment. An appropriate overcurrent protective device shall be incorporated external to the equipment, not exceeding the specification of the building. An all-pole mains switch shall be incorporated in the electrical installation of the building. Ensure correct wiring of the terminals for connection to an AC mains supply. The equipment has been designed, when required, modified for connection to an IT power distribution system.

White Light Illuminator (If supported)

Possibly hazardous optical radiation emitted from this product. DO NOT stare at operating light source. May be harmful to the eyes. Wear appropriate eye protection or DO NOT turn on the white light when you assemble, install or maintain the camera.

Transportation

Keep the device in original or similar packaging while transporting it.

System Security

The installer and user are responsible for password and security configuration.

Maintenance

If the product does not work properly, please contact your dealer or the nearest service center. We shall not assume any responsibility for problems caused by unauthorized repair or maintenance. A few device components (e.g., electrolytic capacitor) require regular replacement. The average lifespan varies, so periodic checking is recommended. Contact your dealer for details.

Cleaning

Please use a soft and dry cloth when clean inside and outside surfaces of the product cover. Do not use alkaline detergents.

Using Environment

When any laser equipment is in use, make sure that the device lens is not exposed to the laser beam, or it may burn out. DO NOT expose the device to high electromagnetic radiation or dusty environments. For indoor-only device, place it in a dry and well-ventilated environment. DO NOT aim the lens at the sun or any other bright light. Make sure the running environment meets the requirement of the device. DO NOT place the camera in extremely hot, cold, dusty or damp locations, and do not expose it to high electromagnetic radiation.

Emergency

If smoke, odor, or noise arises from the device, immediately turn off the power, unplug the power cable, and contact the service center.

Time Synchronization

Set up device time manually for the first time access if the local time is not synchronized with that of the network. Visit the device via Web browse/client software and go to time settings interface.

Reflection

Make sure that no reflective surface is too close to the device lens. The IR light from the device may reflect back into the lens causing reflection.

Français

Déclaration de conformité UE



Ce produit et - le cas échéant - les accessoires fournis sont marqués « CE » et sont donc conformes aux normes européennes

harmonisées applicables énumérées dans la directive CEM 2014/30/UE, la directive DBT 2014/35/UE, la directive RoHS 2011/65/UE, dispositif Wi-Fi : la directive RE 2014/53/UE



2012/19/UE (directive DEEE) : Dans l'Union européenne, les produits portant ce pictogramme ne doivent pas être déposés dans une décharge municipale où le tri des déchets n'est pas pratiqué. Pour un recyclage

adéquat, remettez ce produit à votre revendeur lors de l'achat d'un nouvel équipement équivalent, ou déposez-le dans un lieu de collecte prévu à cet effet. Pour plus de précisions, rendez-vous sur : www.recyclethis.info



2006/66/CE (directive sur les batteries) : Ce produit renferme une batterie qui ne doit pas être déposée dans une décharge municipale où le tri des déchets n'est pas pratiqué, dans l'Union européenne. Pour plus de précisions

sur la batterie, reportez-vous à sa documentation. La batterie porte le pictogramme ci-contre, qui peut inclure la mention Cd (cadmium), Pb (plomb) ou Hg (mercure). Pour la recycler correctement, renvoyez la batterie à votre revendeur ou déposez-la dans un point de collecte prévu à cet effet. Pour plus de précisions, rendez-vous sur :

www.recyclethis.info

Consignes de sécurité

Ces consignes visent à s'assurer que l'utilisateur puisse utiliser le produit correctement afin d'éviter tout danger ou dommage matériel.

Lois et réglementations

L'appareil doit être utilisé conformément à la législation locale ainsi qu'aux réglementations en matière de sécurité électrique et de prévention des incendies.

Électricité

En utilisant le produit, vous devez respecter la réglementation relative à la sécurité électrique de votre pays ou région. L'équipement ne doit pas être exposé aux gouttes ou aux éclaboussures et aucun objet rempli de liquide, comme un vase, ne doit être placé sur l'équipement. Prévoyez un suppresseur de surtension à l'orifice d'entrée de l'équipement dans des conditions d'installation particulières p. ex. au sommet d'une montagne, d'une tour métallique et en forêt. ATTENTION : Pour réduire le risque d'incendie, remplacez-le uniquement par un fusible de même type et de même calibre.

Batterie

Ne pas ingérer pas la batterie. Risque de brûlure chimique ! Ce produit contient une pile bouton. Si la pile bouton est avalée, celle-ci peut provoquer de graves brûlures internes en seulement 2 heures et entraîner la mort. Conservez les piles neuves et usagées hors de la portée des enfants. Si le compartiment des piles ne peut pas être complètement

refermé, cessez d'utiliser le produit et conservez-le hors de la portée des enfants. Si vous pensez que des piles ont été ingérées ou insérées à l'intérieur d'une partie du corps, consultez immédiatement un médecin. ATTENTION : Il y a un risque d'explosion lorsque la pile est remplacée par une pile de type incorrect. Éliminez les batteries usées conformément aux instructions. Le remplacement de la pile par une pile du mauvais type peut conduire à l'annulation d'une protection (par exemple, dans le cas de certains types de batteries au lithium). Ne jetez pas une batterie au feu ou dans un four chaud, ni ne broyez mécaniquement ou découpez une batterie, car cela pourrait engendrer une explosion. Ne laissez pas une batterie dans un environnement ambiant extrêmement chaud, car vous encourez un risque d'explosion ou une fuite de liquide ou de gaz inflammable. N'exposez pas une batterie à des pressions atmosphériques extrêmement basses, car vous encourez un risque d'explosion ou une fuite de liquide ou de gaz inflammable. Le symbole « + » identifie la (les) borne(s) positive(s) de l'équipement qui est utilisé avec, ou qui génère du courant continu. Le symbole « - » identifie la (les) borne(s) négative(s) de l'équipement qui est utilisé avec, ou qui génère du courant continu.

Prévention des incendies

Aucune source de flamme nue, telle que des bougies allumées, ne doit être placée sur l'équipement. Le port série de l'équipement est utilisé uniquement à des fins de débogage.

Prévention des surfaces chaudes

ATTENTION : Composants chauds ! La manipulation des pièces risque de brûler les doigts.



Attendez une demi-heure après l'arrêt de l'appareil avant de manipuler les pièces. Cet autocollant

indique que l'élément marqué peut être chaud et qu'il doit être manipulé avec précaution. La présence de cet autocollant sur un appareil indique qu'il doit être installé dans une zone dont l'accès est restreint et réservé au personnel de service ou aux utilisateurs ayant été formés sur les raisons des restrictions appliquées à cette zone, et sur toutes les précautions à prendre.

Installation

Installez l'équipement conformément aux instructions de ce manuel. Afin d'éviter tout accident, cet appareil doit être correctement attaché sur le sol/mur conformément aux instructions d'installation. N'installez jamais l'équipement sur un support instable. L'équipement pourrait tomber, entraînant des blessures graves voire la mort.

Alimentation électrique

Dispositif alimenté par une très basse tension de sécurité (TBTS) : La source d'alimentation doit répondre aux exigences AE2 ou relatives à une source d'alimentation limitée conformément à la norme CEI 60950-1 ou CEI

62368-1. Dispositif alimenté par une alimentation secteur : L'équipement doit être connecté à une prise de courant reliée à la terre. Un dispositif de déconnexion approprié et facilement accessible doit être incorporé de manière externe à l'équipement. Un dispositif de protection contre les surintensités approprié doit être intégré en externe à l'équipement, sans dépasser les spécifications du bâtiment. Un interrupteur principal omnipolaire doit être intégré à l'installation électrique du bâtiment. Assurez-vous d'effectuer un câblage approprié des bornes pour un branchement à une alimentation secteur. L'équipement a été conçu, lorsque nécessaire, et modifié pour être connecté à un système à neutre impédant.

Éclairage à lumière blanche (lorsque cette fonction est prise en charge)

Ce produit est susceptible d'émettre des rayonnements optiques dangereux. NE regardez PAS la source lumineuse lorsqu'elle est allumée. Elle peut être nocive pour les yeux. Portez une protection oculaire adaptée ou N'allumez PAS la lumière blanche lorsque vous procédez à l'assemblage, à l'installation ou à l'entretien de la caméra.

Transport

Gardez l'appareil dans son emballage d'origine ou dans un emballage similaire lors de son transport.

Sécurité du système

Il incombe à l'installateur et à l'utilisateur de gérer la configuration des mots de passe et de la sécurité.

Maintenance

Si le produit ne fonctionne pas correctement, contactez votre revendeur ou le centre de service le plus proche. Nous n'assumerons aucune responsabilité concernant les problèmes causés par une réparation ou une opération de maintenance non autorisée. Certains composants de l'appareil (p. ex., condensateur électrolytique) doivent être remplacés régulièrement. Leur durée de vie moyenne est variable, c'est pourquoi des contrôles périodiques sont

recommandés. Veuillez contacter votre distributeur pour plus d'informations.

Nettoyage

Utilisez un chiffon doux et sec pour nettoyer l'intérieur et l'extérieur du couvercle du produit. N'utilisez pas de détergent alcalin.

Environnement d'exploitation

Pendant l'utilisation de tout équipement générant un laser, veillez à ce que l'objectif de l'appareil ne soit pas exposé au faisceau laser, car il pourrait brûler. N'exposez PAS l'appareil à de puissants rayonnements électromagnétiques ou à des environnements poussiéreux. Appareil destiné à une utilisation en intérieur uniquement. Installez-le dans un endroit sec et bien aéré. N'orientez PAS l'objectif vers le soleil ou toute autre source de lumière vive. Assurez-vous que l'environnement d'exploitation répond aux exigences de l'appareil. N'installez PAS la caméra dans des endroits extrêmement chauds ou froids, poussiéreux ou humides. La caméra ne doit pas être exposée à des radiations électromagnétiques élevées.

Urgence

Si de la fumée, des odeurs ou du bruit s'échappent de l'appareil, mettez immédiatement l'appareil hors tension et débranchez le câble d'alimentation, puis contactez un centre de réparation.

Synchronisation de l'heure

Si l'heure locale de l'appareil n'est pas synchronisée avec celle du réseau, configurez-la manuellement lors du premier accès. Accédez à l'appareil via un navigateur Web/le logiciel client, puis rendez-vous dans l'interface des réglages de l'heure.

Reflets

Assurez-vous qu'aucune surface réfléchissante ne se trouve à proximité de l'objectif de l'appareil. La lumière infrarouge de l'appareil peut se réfléchir dans l'objectif et entraîner des problèmes de réflexion.

Deutsch

EU-Konformitätserklärung



Dieses Produkt und (gegebenenfalls) das mitgelieferte Zubehör tragen das „CE“-Kennzeichen und entsprechen den anwendbaren harmonisierten europäischen Normen, die in der EMV-Richtlinie 2014/30/EU, der Niederspannungsrichtlinie 2014/35/EU und der RED-Richtlinie 2014/53/EU für WLAN-Geräte aufgeführt sind.



2012/19/EU (Elektroaltgeräte-Richtlinie): Produkte, die mit diesem Symbol gekennzeichnet sind, dürfen innerhalb der Europäischen Union nicht mit dem Hausmüll entsorgt werden. Für korrektes Recycling geben Sie dieses Produkt an Ihren örtlichen Fachhändler

zurück oder entsorgen Sie es an einer der Sammelstellen. Für weitere Informationen siehe: www.recyclethis.info



2006/66/EC (Batterierichtlinie): Dieses Produkt enthält eine Batterie, die innerhalb der Europäischen Union nicht mit dem Hausmüll entsorgt werden darf. Siehe

Produktdokumentation für spezifische Hinweise zu Batterien. Die Batterie ist mit diesem Symbol gekennzeichnet, das zusätzlich die Buchstaben Cd für Cadmium, Pb für Blei oder Hg für Quecksilber enthalten kann. Für korrektes Recycling geben Sie die Batterie an Ihren örtlichen Fachhändler zurück oder entsorgen Sie sie an einer der Sammelstellen. Für weitere Informationen siehe: www.recyclethis.info

Sicherheitshinweis

Diese Hinweise sollen sicherstellen, dass der Benutzer das Produkt korrekt benutzen kann, um Gefahren oder Vermögensschäden zu vermeiden.

Gesetze und Vorschriften

Das Gerät muss in Übereinstimmung mit lokalen Gesetzen, Vorschriften zur elektrischen Sicherheit und Brandschutzvorschriften verwendet werden.

Elektrizität

Bei der Verwendung des Produkts müssen die elektrischen Sicherheitsbestimmungen des Landes oder der Region strikt eingehalten werden. Das Gerät vor tropfenden oder spritzenden Flüssigkeiten schützen. Auf dem Gerät dürfen keine mit Flüssigkeit gefüllten Objekte, wie z. B. Vasen, abgestellt werden. Sorgen Sie für einen Überspannungsschutz an den Eingängen der Anlage bei besonderen Umgebungsbedingungen wie Berggipfel, Metallturm und Wald. ACHTUNG: Um die Feuergefahr zu verringern, ersetzen Sie Sicherungen nur durch Sicherungen des gleichen Typs und der gleichen Leistung.

Akku

Verschlucken Sie niemals die Batterie. Verätzungsgefahr! Dieses Produkt enthält eine Knopfzellenbatterie. Wenn die Knopfzellenbatterie verschluckt wird, kann dies innerhalb von 2 Stunden zu schweren inneren Verätzungen und Tod führen. Halten Sie neue und gebrauchte Batterien von Kindern fern. Wenn das Batteriefach nicht sicher schließt, beenden Sie den Gebrauch des Produkts und halten Sie es von Kindern fern. Suchen Sie umgehend ärztliche Hilfe auf, wenn Sie vermuten, dass Batterien verschluckt oder in Körperöffnungen eingeführt wurden. ACHTUNG: Bei Austausch der Batterie durch einen falschen Typ besteht Explosionsgefahr. Entsorgen Sie verbrauchte Batterien entsprechend der Anleitung. Unsachgemäßer Austausch der Batterien durch einen falschen Typ kann eine Schutzvorrichtung umgehen (z. B. bei einigen Lithium-Batterietypen). Batterien nicht durch Verbrennen, in einem heißen Ofen oder Zerkleinern oder Zerschneiden entsorgen. Das kann zu einer Explosion führen. Bewahren Sie Batterien nicht in einer Umgebung mit extrem hoher Temperatur auf. Das kann zu einer Explosion oder zum Auslaufen von entflammbarer Flüssigkeit oder Gas führen. Setzen Sie Batterien keinem extrem niedrigen Luftdruck aus. Das kann zu einer Explosion oder zum Auslaufen von entflammbarer Flüssigkeit oder Gas führen. + kennzeichnet den/die Pluspol(e) von Geräten, die mit Gleichstrom betrieben werden oder Gleichstrom erzeugen. – kennzeichnet den/die Minuspol(e) von Geräten, die mit Gleichstrom betrieben werden oder Gleichstrom erzeugen.

Brandschutz

Stellen Sie keine offenen Flammen (wie brennende Kerzen) auf dem Gerät ab. Die serielle Schnittstelle des Geräts wird nur zur Fehlersuche verwendet.

Heiße Oberflächen

ACHTUNG: Heiße Teile! Sie können sich bei Berührung der Teile Verbrennungen zuziehen.



Warten Sie nach dem Ausschalten eine halbe Stunde, bevor Sie Teile anfassen. Dieser Aufkleber weist

darauf hin, dass der markierte Gegenstand heiß sein kann und nur vorsichtig angefasst werden darf. Ein Gerät mit diesem Aufkleber ist für die Installation an einem Ort mit beschränktem Zugang bestimmt, der nur von Servicepersonal oder von Benutzern betreten werden kann, die über die Gründe für die Zugangsbeschränkungen und über die zu treffenden Vorsichtsmaßnahmen informiert wurden.

Installation

Installieren Sie das Gerät gemäß den Anweisungen in diesem Handbuch. Um Verletzungen zu vermeiden, muss dieses Gerät gemäß den Installationsanweisungen sicher am Boden/an der Wand montiert werden. Stellen Sie das Gerät niemals an einem instabilen Ort auf. Es könnte umfallen und schwere oder sogar tödliche Verletzungen verursachen.

Spannungsversorgung

Über Schutzkleinspannung versorgtes Gerät: Die Stromquelle muss die Anforderungen an eine Stromquelle mit begrenzter Leistung oder PS2 gemäß der Norm IEC 60950-1 oder IEC 62368-1 erfüllen. Über Netzspannung versorgtes Gerät: Das Gerät muss an eine geerdete Netzsteckdose angeschlossen werden. Eine leicht zugängliche Trennvorrichtung muss außerhalb des Geräts vorhanden sein. Eine Überstrom-Schutzeinrichtung muss außerhalb des Geräts integriert werden und darf die baulichen technischen Daten nicht überschreiten. Ein allpoliger Netzschalter muss in die Elektroinstallation des Gebäudes integriert werden. Achten Sie auf die korrekte Verkabelung der Klemmen für den Anschluss an ein Wechselstromnetz. Das Gerät wurde, falls erforderlich, für den Anschluss an ein IT-Stromverteilungssystem angepasst.

Weißlichtbeleuchtung (falls unterstützt)

Es wird möglicherweise gefährliche optische Strahlung von diesem Produkt emittiert. Schauen Sie während des Betriebs NICHT in die Lichtquelle. Das kann schädlich für die Augen sein. Tragen Sie einen geeigneten Augenschutz oder schalten Sie das weiße Licht NICHT ein, wenn Sie die Kamera montieren, installieren oder warten.

Transportwesen

Bewahren Sie das Gerät beim Transport in der ursprünglichen oder einer vergleichbaren Verpackung auf.

Systemsicherheit

Installateur und Benutzer sind für Passwort- und Sicherheitskonfiguration verantwortlich.

Instandhaltung

Falls das Produkt nicht einwandfrei funktionieren sollte, wenden Sie sich an Ihren Händler oder den nächstgelegenen

Kundendienst. Wir übernehmen keine Haftung für Probleme, die durch nicht Reparatur- oder Instandhaltungsarbeiten von nicht autorisierten Dritten verursacht werden. Einige Gerätekomponenten (z. B. Elektrolytkondensator) müssen regelmäßig ausgetauscht werden. Die durchschnittliche Lebensdauer variiert, weshalb eine regelmäßige Prüfung empfohlen wird. Einzelheiten erfahren Sie von Ihrem Händler.

Reinigung

Benutzen Sie bitte ein weiches, trockenes Tuch, um die Innen- und Außenflächen der Produktabdeckung zu reinigen. Verwenden Sie keine alkalischen Reinigungsmittel.

Einsatzumgebung

Achten Sie bei Verwendung eines Lasergeräts darauf, dass das Objektiv des Geräts nicht dem Laserstrahl ausgesetzt wird. Andernfalls könnte es durchbrennen. Setzen Sie das Gerät KEINER hohen elektromagnetischen Strahlung oder staubigen Umgebungen aus. Stellen Sie ein Gerät, das nur für den Innenbereich bestimmt sind, an einem kühlen und gut belüfteten Ort auf. Richten Sie das Objektiv NICHT auf die Sonne oder eine andere helle Lichtquelle. Achten Sie

darauf, dass die Betriebsumgebung den Anforderungen des Geräts entspricht. Setzen Sie die Kamera KEINER staubigen oder feuchten Umgebung oder keiner Umgebung aus, in der extrem hohe oder niedrige Temperaturen oder hohe elektromagnetische Strahlung herrschen.

Notruf

Sollten sich Rauch, Gerüche oder Geräusche in dem Gerät entwickeln, so schalten Sie es unverzüglich aus und ziehen Sie den Netzstecker; wenden Sie sich dann an den Kundendienst.

Zeitsynchronisation

Stellen Sie die Gerätezeit beim erstmaligen Gebrauch manuell ein, wenn die lokale Zeit nicht mit der des Netzwerks synchronisiert ist. Rufen Sie das Gerät über den Webbrowser/die Client-Software auf und navigieren Sie zur Oberfläche für Zeiteinstellungen.

Reflektion

Stellen Sie sicher, dass sich keine reflektierende Oberfläche zu nahe am Geräteobjektiv befindet. Das IR-Licht des Geräts kann in das Objektiv reflektiert werden.

Español

Declaración de conformidad de la UE



Este producto y los accesorios incluidos —si procede— tienen la marca «CE» y, por lo tanto, cumplen con las normativas europeas

armonizadas aplicables recogidas en la Directiva 2014/30/UE en materia de compatibilidad electromagnética, la Directiva 2014/35/UE en materia de comercialización de material eléctrico destinado a utilizarse con determinados límites de tensión, la Directiva 2011/65/UE sobre restricciones a la utilización de determinadas sustancias peligrosas en aparatos eléctricos y electrónicos y la Directiva Wi-Fi 2014/53/UE sobre la comercialización de equipos radioeléctricos.



2012/19/UE (directiva RAEE, residuos de aparatos eléctricos y electromagnéticos): En la Unión Europea, los productos marcados con este símbolo no pueden ser desechados en el sistema de basura municipal sin recogida

selectiva. Para un reciclaje adecuado, entregue este producto en el lugar de compra del equipo nuevo equivalente o deshágase de él en el punto de recogida designado a tal efecto. Para más información vea la página web: www.recyclethis.info



2006/66/CE (directiva sobre baterías): Este producto lleva una batería que no puede ser desechada en el sistema municipal de basuras sin recogida selectiva dentro de la Unión Europea. Consulte la documentación del producto para ver la información específica de la batería. La

batería lleva marcado este símbolo, que incluye unas letras indicando si contiene cadmio (Cd), plomo (Pb), o mercurio (Hg). Para un reciclaje adecuado, entregue la batería a su vendedor o llévela al punto de recogida de basuras designado a tal efecto. Para más información vea la página web: www.recyclethis.info

Instrucciones de seguridad

Estas instrucciones están previstas para asegurar que el usuario pueda utilizar el producto correctamente y evitar riesgos y daños materiales.

Leyes y normativas

El dispositivo debe ser utilizado cumpliendo con la legislación local y las normativas de seguridad eléctrica y prevención de incendios.

Electricidad

Para usar el producto debe cumplir estrictamente con la normativa de seguridad eléctrica de su país y región. No se expondrá el equipo a goteos ni salpicaduras y no se colocarán sobre él objetos llenos de líquidos, como jarrones. En ubicaciones especiales, como en la cima de una montaña, en una torre de hierro y en un bosque, instale un supresor de sobretensiones en la abertura de entrada del equipo. PRECAUCIÓN: Para reducir el riesgo de incendio, reemplace el fusible por otro del mismo tipo y clasificación.

Batería

No se trague la pila. ¡Existe riesgo de quemaduras químicas! Este producto incorpora una pila de botón. Si se traga la pila de botón, podría sufrir quemaduras internas de importancia en solo 2 horas que podrían ocasionarle la muerte.

Mantenga las baterías nuevas y usadas fuera del alcance de los niños. Si el compartimento de la batería no cierra debidamente, deje de usar el producto y manténgalo fuera del alcance de los niños. Si sospecha que una batería ha sido tragada o introducida en alguna parte del cuerpo, busque atención médica de inmediato. **PRECAUCIÓN:** Riesgo de explosión si se reemplaza la batería por otra de tipo incorrecto. Deshágase de las baterías usadas conforme a las instrucciones. Una sustitución inadecuada de la batería por otra de tipo incorrecto podría inhabilitar alguna medida de protección (por ejemplo, en el caso de algunas baterías de litio). No arroje la batería al fuego ni la meta en un horno caliente, ni intente aplastar o cortar mecánicamente la batería, ya que podría explotar. No deje la batería en lugares con temperaturas extremadamente altas, ya que podría explotar o tener fugas de líquido electrolítico o gas inflamable. No permita que la batería quede expuesta a una presión de aire extremadamente baja, ya que podría explotar o tener fugas de líquido electrolítico o gas inflamable. + identifica los terminales positivos de los equipos que se utilizan con corriente continua o que la generan. + identifica los terminales negativos de los equipos que se utilizan con corriente continua o que la generan.

Prevención de incendios

No coloque llamas abiertas, como velas encendidas, sobre el equipo.

El puerto serie del equipo se utiliza únicamente con fines de depuración.

Prevención de superficie caliente

PRECAUCIÓN: ¡Elementos calientes! Los dedos se pueden quemar al manipular esas partes.



Espere media hora después de apagar el equipo para tocar las partes. Esta pegatina está para indicar que el

elemento marcado puede estar caliente y no debe tocarse sin tener cuidado. Los dispositivos con este adhesivo se deben instalar en una ubicación de acceso restringido, solo accesible al personal técnico o a usuarios que hayan sido informados sobre los motivos de las restricciones aplicadas a dicha ubicación y las precauciones a tomar.

Instalación

Instale el equipo de acuerdo con las instrucciones de este manual. Para evitar lesiones, este equipo debe estar firmemente sujeto al suelo/pared de acuerdo con las instrucciones de instalación. No coloque nunca el equipo en una ubicación inestable. El equipo podría caer y provocar graves lesiones o la muerte.

Alimentación eléctrica

Dispositivo alimentado mediante tensión extrabaja de seguridad (SELV, por sus siglas en inglés): La fuente de alimentación debe cumplir con los requisitos de fuente de alimentación limitada o PS2 conforme a las normas IEC 60950-1 o IEC 62368-1. Dispositivo alimentado mediante

tensión de alimentación de la red eléctrica de CA: El equipo debe estar conectado a una toma de corriente con conexión a tierra. Es necesario incorporar al equipo un dispositivo adecuado de desconexión externo de fácil acceso. Es necesario incorporar al equipo un dispositivo adecuado de protección de sobrecorriente externo que no exceda la especificación del edificio. Es necesario instalar un interruptor de corte omnipolar en la instalación eléctrica del edificio. Asegúrese de que el cableado de los terminales para la conexión a una fuente de alimentación de CA sea correcto. El equipo ha sido diseñado, cuando es necesario, con modificaciones para conectarlo a un sistema de distribución de alimentación eléctrica para equipos informáticos.

Iluminador de luz blanca (si es compatible)

Este equipo podría emitir radiación óptica peligrosa. NO mire directamente a la fuente de luz en funcionamiento. Podría dañar sus ojos. Use la protección ocular adecuada o NO encienda la luz blanca cuando monte, instale o realice mantenimientos en la cámara.

Transporte

Guarde el dispositivo en su paquete original o en uno similar cuando lo transporte.

Seguridad del sistema

El instalador y el usuario son los responsables de la contraseña y de la configuración de seguridad.

Mantenimiento

Si el producto no funciona correctamente, por favor, póngase en contacto con su distribuidor o con el centro de servicio técnico más próximo. No nos haremos responsables de los problemas derivados de una reparación o mantenimiento no autorizados. Algunos componentes del dispositivo (p. e. el capacitor electrolítico) necesita una sustitución periódica. La vida útil promedio puede variar, por lo que se recomienda una revisión periódica. Contacte con su vendedor para más detalles.

Limpieza

Por favor, utilice un paño suave y seco para limpiar las superficies interiores y exteriores de la tapa del producto. No utilice detergentes alcalinos.

Entorno de uso

Cuando utilice equipos láser, asegúrese de que el objetivo del dispositivo no quede expuesto al rayo láser ya que podría quemarse. NO exponga el dispositivo a radiaciones electromagnéticas o entornos polvorientos. Para dispositivo de interior, ubíquelo en un entorno seco y con buena ventilación. NO apunte el objetivo al sol ni a luces brillantes. Compruebe que el entorno de uso se adapte a los requisitos del dispositivo. No coloque la cámara en lugares extremadamente calientes, fríos, polvorientos o húmedos, ni la deje expuesta a radiaciones electromagnéticas intensas.

Emergencia

Si hay presencia de humo, olores o ruidos procedentes del dispositivo, apague la alimentación inmediatamente, desenchufe el cable de alimentación y contacte con el servicio técnico.

Sincronización de hora

En el caso de que la hora local no esté sincronizada con la hora de la red, ajuste la hora manualmente la primera vez que acceda. Acceda al dispositivo usando el navegador web/software cliente y entre en la interfaz de ajuste de la

hora.

Reflexión

Asegúrese de que ninguna superficie reflectante esté demasiado cerca de la lente del dispositivo. La luz IR del dispositivo puede reflejarse y regresar a la lente originando la reflexión.

Italiano

Dichiarazione di conformità UE



Questo prodotto e, laddove la misura sia applicabile, anche gli accessori forniti sono contrassegnati con il marchio "CE" e sono quindi conformi agli standard europei armonizzati applicabili elencati nelle direttive EMC 2014/30/UE (compatibilità elettromagnetica), LVD 2014/35/UE (bassa tensione), RoHS 2011/65/UE (restrizioni dell'uso di sostanze pericolose nelle apparecchiature elettriche ed elettroniche); per il dispositivo Wi-Fi si veda la direttiva RE 2014/53/UE (armonizzazione delle legislazioni degli Stati membri relative alla messa a disposizione sul mercato di apparecchiature radio)



2012/19/UE (Direttiva RAEE): i prodotti contrassegnati con il presente simbolo non possono essere smaltiti come rifiuti domestici indifferenziati nell'Unione europea. Per lo smaltimento corretto, restituire il prodotto al rivenditore in occasione dell'acquisto di un nuovo dispositivo o smaltirlo nei punti di raccolta autorizzati. Per ulteriori informazioni, visitare: www.recyclethis.info



2006/66/CE (Direttiva batterie): questo prodotto contiene una batteria e non è possibile smaltirlo con i rifiuti domestici indifferenziati nell'Unione europea. Fare riferimento alla documentazione del prodotto per le informazioni specifiche sulla batteria. La batteria è contrassegnata con il presente simbolo, che potrebbe includere le sigle di cadmio (Cd), piombo (Pb) o mercurio (Hg). Per lo smaltimento corretto, restituire la batteria al rivenditore locale o smaltirla nei punti di raccolta autorizzati. Per ulteriori informazioni, visitare: www.recyclethis.info

Istruzioni per la sicurezza

Le presenti istruzioni hanno lo scopo di garantire che l'utente utilizzi il prodotto in modo corretto, evitando situazioni di pericolo o danni materiali.

Leggi e regolamenti

Il dispositivo deve essere utilizzato rispettando le leggi locali, le norme sulla sicurezza elettrica e le norme sulla prevenzione degli incendi.

Elettricità

Durante l'uso del prodotto è indispensabile rispettare

rigorosamente le normative nazionali e locali sulla sicurezza elettrica. L'attrezzatura non deve essere esposta a schizzi o gocciolamenti di liquidi; allo stesso modo, non si devono poggiare sull'attrezzatura oggetti contenenti liquidi, ad esempio vasi. Predispone un soppressore di sovratensione all'apertura di ingresso dell'attrezzatura in condizioni particolari come vette di montagne, tralicci metallici o foreste. **ATTENZIONE:** per ridurre il rischio di incendi, sostituire i fusibili solo con altri dello stesso tipo e dello stesso valore nominale.

Batteria

Non ingerire le batterie. Rischio di ustioni chimiche! Questo prodotto contiene una batteria a bottone. Se ingerita, la batteria a bottone può causare gravi ustioni interne in sole 2 ore e portare anche alla morte. tenere le batterie nuove e quelle usate lontano dalla portata dei bambini. se il vano batteria non si chiude bene, interrompere l'uso del prodotto e tenerlo lontano dai bambini. Se si pensa che una batteria possa essere stata ingerita o possa essere penetrata in qualsiasi parte del corpo, rivolgersi immediatamente a un medico. **ATTENZIONE:** esiste il rischio di esplosione se la batteria viene sostituita con una di tipo non corretto. Smaltire le batterie usate nel rispetto delle istruzioni. La sostituzione della batteria con una di tipo non idoneo può impedire il corretto funzionamento dei sistemi di sicurezza (ad esempio con alcuni tipi di batterie al litio). Non gettare le batterie nel fuoco o in un forno caldo ed evitare di schiacciarle o tagliarle, per prevenire il rischio di esplosioni. Le batterie esposte a temperature ambientali eccessive possono esplodere o subire perdite di liquidi o gas infiammabili. Le batterie sottoposte a una pressione atmosferica estremamente bassa possono esplodere o subire perdite di liquidi o gas infiammabili. + indica il terminale positivo dell'attrezzatura che ne fa uso o che genera la corrente diretta. - indica il terminale negativo dell'attrezzatura che ne fa uso o che genera la corrente diretta.

Prevenzione degli incendi

Non collocare sull'attrezzatura sorgenti di fiamme libere, quali candele accese.

La porta seriale del dispositivo serve solo per attività di

debugging.

Prevenzione dei rischi da superfici calde

ATTENZIONE: elementi caldi! Rischio di ustioni alle dita maneggiando questi elementi.



Attendere mezz'ora dopo lo spegnimento dell'attrezzatura prima di toccare questi elementi. Questo

adesivo indica che l'elemento contrassegnato può essere caldo e non deve essere toccato senza prestare la dovuta attenzione. I dispositivi con questo adesivo devono essere installati in aree ad accesso limitato, consentito al solo personale di servizio o agli utenti che hanno ricevuto istruzioni sulle restrizioni applicate al locale e sulle precauzioni da adottare.

Installazione

Installare l'attrezzatura seguendo le istruzioni del presente manuale. Per evitare il rischio di lesioni personali, questa attrezzatura deve essere saldamente fissata alla parete o al pavimento, come indicato nelle istruzioni di installazione. Non collocare mai l'attrezzatura in una posizione instabile. L'attrezzatura potrebbe cadere, causando lesioni personali gravi e anche mortali.

Alimentazione

Dispositivo alimentato a bassissima tensione di sicurezza (SELV): La fonte di alimentazione deve soddisfare i requisiti previsti per le fonti di alimentazione limitate o PS2 in conformità alle norme IEC 60950-1 o IEC 62368-1.

Dispositivo alimentato alla tensione di rete: L'attrezzatura deve essere collegata a una presa di corrente dotata di messa a terra. Un dispositivo di disconnessione appropriato e facilmente accessibile deve essere incorporato all'esterno dell'apparecchiatura. Un adeguato dispositivo di protezione dalle sovracorrenti deve essere incorporato all'esterno dell'apparecchiatura e non deve eccedere le specifiche richieste dall'edificio in cui è situato. L'impianto elettrico dell'edificio deve essere dotato di interruttore omnipolare. Verificare il corretto cablaggio dei terminali prima di collegare l'alimentazione CA. L'attrezzatura è stata progettata per poter essere modificata, in caso di necessità, per il collegamento a un sistema di alimentazione elettrica IT.

Illuminatore a luce bianca (se supportato)

Questo prodotto emette radiazioni ottiche potenzialmente pericolose. **NON** tenere lo sguardo fisso sulla sorgente luminosa mentre è accesa. Può essere dannosa per gli occhi. Indossare un'adeguata protezione degli occhi o **NON** accendere la luce bianca durante il montaggio, l'installazione

o la manutenzione della telecamera.

Trasporto

Per trasportare il dispositivo, riporlo nella confezione originale o in una analoga.

Sicurezza del sistema

L'installatore e l'utente sono responsabili per la password e le configurazioni di sicurezza.

Manutenzione

Se il prodotto non funziona correttamente, rivolgersi al rivenditore o al centro di assistenza più vicino. Decliniamo qualsiasi responsabilità in relazione a problemi causati da interventi di riparazione o manutenzione non autorizzati. Alcuni componenti (ad esempio, il condensatore elettrolitico) devono essere sostituiti periodicamente. La durata media di questi elementi è variabile, quindi devono essere controllati regolarmente. Contattare il rivenditore per i dettagli.

Pulizia

Per pulire le superfici interne e esterne del coperchio del prodotto, utilizzare un panno morbido e asciutto. Non utilizzare detergenti alcalini.

Ambiente di utilizzo

Quando si utilizzano apparecchiature laser, non esporre l'obiettivo del dispositivo al raggio laser, che potrebbe bruciarlo. **NON** esporre il dispositivo a radiazioni elettromagnetiche intense o ad ambienti polverosi. Per i dispositivi per utilizzo solo al chiuso: collocare il dispositivo in un ambiente asciutto e ben ventilato. **NON** orientare l'obiettivo verso il sole o altre luci intense. Verificare che l'ambiente di utilizzo soddisfi i requisiti del dispositivo. **NON** collocare la telecamera in luoghi a temperatura troppo alta o bassa né in ambienti umidi o polverosi e non esporla a radiazioni elettromagnetiche intense.

Emergenza

Se il dispositivo emette fumo, odori o rumori, spegnerlo immediatamente e scollegare il cavo di alimentazione, quindi rivolgersi a un centro di assistenza.

Sincronizzazione dell'ora

Impostare l'ora del dispositivo manualmente per il primo accesso se l'ora locale non è sincronizzata con quella della rete. Accedere al dispositivo tramite un browser o il software client e passare all'interfaccia delle impostazioni dell'ora.

Riflesso

Assicurarsi che non ci sia alcuna superficie riflettente molto vicina all'obiettivo del dispositivo. La luce a infrarossi del dispositivo può riflettersi e tornare indietro nell'obiettivo provocando riflessi.

Português

Declaração de conformidade da UE



Este produto e, se aplicável, os acessórios fornecidos com o mesmo, têm a marcação "CE" e estão, por isso, em conformidade com

os padrões europeus aplicáveis, indicados na Diretiva EMC 2014/30/UE, na Diretiva LVD 2014/35/UE, na Diretiva RSP 2011/65/UE, dispositivo Wi-Fi: a Diretiva ER 2014/53/UE



2012/19/UE (Diretiva REEE): Os produtos com este símbolo não podem ser eliminados como resíduos urbanos indiferenciados na União Europeia. Para uma reciclagem adequada, devolva este produto ao seu fornecedor local

quando adquirir um novo equipamento equivalente ou elimine-o através dos pontos de recolha adequados. Para obter mais informações consulte: www.recyclethis.info



2006/66/CE (diretiva relativa a baterias): Este produto contém uma bateria que não pode ser eliminada como resíduo urbano indiferenciado na União Europeia. Consulte a documentação do produto para obter informações específicas

acerca da bateria. A bateria está marcada com este símbolo, que poderá incluir inscrições para indicar a presença de cádmio (Cd), chumbo (Pb), ou mercúrio (Hg). Para reciclar o produto de forma adequada, devolva a bateria ao seu fornecedor ou coloque-a num ponto de recolha apropriado. Para obter mais informações consulte: www.recyclethis.info

Para obter mais informações consulte: www.recyclethis.info

Instruções de segurança

Estas instruções servem para assegurar que o utilizador utilize o produto corretamente, de modo a evitar perigos e perda de propriedade.

Legislação e regulamentos

O dispositivo deve ser utilizado em conformidade com as leis, regulamentos de segurança elétrica e regulamentos de prevenção de incêndios locais.

Eletricidade

Durante a utilização do produto, o utilizador tem de estar em estrita conformidade com as normas de segurança elétrica do país e região. O equipamento não deverá ser exposto a derrames ou salpicos de líquidos e nenhum objeto que contenha líquidos, como vasos, deverá ser colocado sobre o equipamento. Providencie um supressor de picos na abertura da entrada do equipamento em condições especiais, como no cimo de uma montanha, numa torre de ferro ou na floresta. ADVERTÊNCIA: Para reduzir o risco de incêndio, o fusível deve ser substituído apenas por outro do mesmo tipo e com a mesma potência.

Bateria

Não ingira a pilha. Perigo de queimadura causada por produtos químicos! Este produto contém uma pilha celular tipo botão. Se a pilha celular tipo botão for engolida, pode causar queimaduras internas graves em apenas 2 horas e pode provocar a morte. Mantenha as pilhas novas e usadas longe do alcance das crianças. Se o compartimento da pilha não fechar de forma segura, suspenda a utilização do produto e mantenha-o longe do alcance das crianças. Se achar que as pilhas foram engolidas ou colocadas no interior do organismo, consulte um médico de imediato.

ADVERTÊNCIA: Existe risco de explosão se a bateria for substituída por outra de tipo incorreto. elimine as pilhas usadas de acordo com as instruções. A substituição incorreta da bateria por outra de tipo incorreto pode destruir uma proteção (por exemplo, no caso de alguns tipos de bateria de lítio). Não proceda à eliminação da bateria numa fogueira ou forno quente, ou mediante esmagamento ou corte mecânico da mesma pois tal pode resultar numa explosão. Não deixe a bateria num ambiente com temperaturas extremamente elevadas pois tal pode resultar numa explosão ou na fuga de líquido inflamável ou gás. Não sujeite a bateria a pressão de ar extremamente baixa pois tal poderá resultar numa explosão de líquido inflamável ou gás. + identifica o terminal positivo do equipamento com o qual é utilizada ou gera corrente direta. - identifica o terminal negativo do equipamento com o qual é utilizada ou gera corrente direta.

Prevenção de incêndios

Não deverão ser colocadas fontes de chama livre, como velas acesas, sobre o equipamento. A porta de série do equipamento é utilizada apenas para a depuração.

Prevenção de superfícies quentes

ADVERTÊNCIA: Peças quentes! Queimadura dos dedos resultante do manuseamento das peças. Desligue o equipamento, aguarde trinta minutos e só então deverá manusear as peças. Este



autocolante indica que o elemento assinalado pode estar quente, pelo que não lhe deve tocar sem a devida precaução. Os dispositivos com este autocolante devem ser instalados num local com acesso restrito. Apenas poderão ter acesso a esses dispositivos funcionários e utilizadores que tenham sido instruídos relativamente aos motivos pelos quais essas restrições de localização têm de ser aplicadas e que tenham sido alertados sobre que cuidados deverão adotar.

Instalação

Instale o equipamento de acordo com as instruções constantes deste manual. Para evitar ferimentos, este equipamento deve ser fixo corretamente ao chão/parede em conformidade com as instruções de instalação. Nunca coloque o equipamento num local instável. O equipamento pode cair e causar lesões corporais graves ou morte.

Alimentação elétrica

Dispositivo alimentado por circuito de tensão extrema inferior de segurança (SELV): A fonte de alimentação deve cumprir com os requisitos da fonte de alimentação limitada ou da PS2 (fonte de alimentação de classe 2) de acordo com a norma IEC 60950-1 ou IEC 62368-1. Dispositivo alimentado por tensão CA da rede: O equipamento deve ser ligado a uma tomada da rede elétrica com terra. Será incorporado externamente ao equipamento um dispositivo adequado para o desligar facilmente. Será incorporado externamente ao equipamento um dispositivo de proteção de sobretensão

adequado e que respeita as especificações do edifício. A instalação elétrica do edifício deve estar equipada com um interruptor geral. Certifique-se de que a cablagem dos terminais foi efetuada corretamente para ligação a uma fonte de alimentação CA. O equipamento foi concebido para ser modificado para ligação a um sistema de distribuição de energia IT.

Iluminador de luz branca (se compatível)

Este produto emite radiação ótica possivelmente perigosa. NÃO fixe o olhar na fonte de luz em funcionamento. Pode ser prejudicial aos olhos. Use proteção ocular adequada ou NÃO ligue a luz branca ao montar, instalar ou proceder à manutenção da câmara.

Transporte

Mantenha o dispositivo na embalagem original ou similar, quando o transportar.

Segurança do sistema

O instalador e o utilizador são responsáveis pela configuração de segurança e palavra-passe.

Manutenção

Se o produto não funcionar corretamente, contacte o seu fornecedor ou o seu centro de serviços local. Não assumimos qualquer responsabilidade por problemas causados por reparações ou manutenções não autorizadas. Alguns componentes do dispositivo (por exemplo, capacitor eletrolítico) necessita de substituição regular. A duração média varia, portanto, recomenda-se verificação periódica. Entre em contacto com o respetivo revendedor para obter detalhes.

Limpeza

Utilize um pano seco e suave para limpar as superfícies interiores e exteriores da cobertura do produto. Não utilize detergentes alcalinos.

Ambiente da utilização

Quando estiver a utilizar qualquer equipamento a laser, verifique se a lente do dispositivo não se encontra exposta ao feixe de laser, caso contrário pode queimar. NÃO exponha o dispositivo a radiação eletromagnética elevada nem a ambientes com pó. Os dispositivos exclusivamente para espaços interiores devem ser colocados num ambiente seco e bem ventilado. NÃO direcione a lente para o sol nem para qualquer outra luz brilhante. Certifique-se de que o ambiente de funcionamento do dispositivo cumpre os requisitos do mesmo. NÃO coloque a câmara em locais extremamente quentes, frios, poeirentos ou húmidos; e não a exponha a radiação eletromagnética elevada.

Emergência

Caso o dispositivo emita fumo, odores ou ruídos, desligue a alimentação elétrica de imediato, retire o cabo de alimentação da tomada e contacte o centro de assistência.

Sincronização da hora

Se a hora local não estiver sincronizada com a da rede, configure a hora do dispositivo manualmente quando o utilizar pela primeira vez. Aceda ao dispositivo via navegador Web/software do cliente e vá a interface das definições da hora.

Reflexo

Certifique-se de que nenhuma superfície refletora está muito próxima da lente do dispositivo. A luz de IV do dispositivo pode ser refletida na lente, provocando reflexo.

Nederlands

EU-conformiteitsverklaring



Dit product en - indien van toepassing - de meegeleverde accessoires dragen het merkteken "CE" en voldoen derhalve aan de toepasselijke geharmoniseerde Europese normen onder de EMC-richtlijn 2014/30/EU, de LVD-richtlijn 2014/35/EU, de RoHS-richtlijn 2014/65/EU en het wifi-apparaat: de RE-richtlijn 2014/53/EU



2012/19/EU (WEEE-richtlijn): Producten die met dit symbool zijn gemarkeerd mogen binnen de Europese Unie niet worden weggegooid als ongesorteerd huishoudelijk afval. Lever dit product voor een juiste recycling in bij uw plaatselijke leverancier bij aankoop van soortgelijke nieuwe apparatuur, of breng het naar daarvoor aangewezen inzamelpunten. Zie voor meer informatie: www.recyclethis.info



2006/66/EG (Batterijrichtlijn): Dit product bevat een batterij die binnen de Europese Unie niet mag worden weggegooid als ongesorteerd huishoudelijk afval. Zie de productdocumentatie voor specifieke

informatie over de batterij. De batterij is gemarkeerd met dit symbool, dat letters kan bevatten die cadmium (Cd), lood (Pb) of kwik (Hg) aanduiden. Lever de batterij voor een juiste recycling in bij uw leverancier of bij een daarvoor aangewezen inzamelpunt. Zie voor meer informatie: www.recyclethis.info

Veiligheidsinstructies

Deze instructies dienen om ervoor te zorgen dat de gebruiker het product correct kan gebruiken om gevaar en materiële schade te voorkomen.

Wet- en regelgeving

Het apparaat moet worden gebruikt in overeenstemming met lokale wetgeving, elektrische veiligheidsvoorschriften en voorschriften voor brandpreventie.

Elektriciteit

U moet zich bij het gebruik van het product strikt houden aan de elektrische veiligheidsvoorschriften van het land en de regio. De apparatuur mag niet worden blootgesteld aan druppels of spetters en er mogen geen voorwerpen gevuld met vloeistoffen, zoals vazen, op de apparatuur worden geplaatst. Zorg voor een overspanningsbeveiliging bij de inlaatopening van de apparatuur onder speciale omstandigheden, zoals op een bergtop, ijzeren toren en in het bos. LET OP: Vervang de zekering uitsluitend door een exemplaar van hetzelfde type en vermogen om het risico van brand te reduceren.

Batterij

Slik de batterij niet in. Gevaar voor chemische brandwonden! Dit product bevat een knoopbatterij. Als de knoopbatterij wordt ingeslikt, dan kan dat binnen slechts 2 uur leiden tot hevige interne brandwonden en dit kan de dood tot gevolg hebben. Houd nieuwe en gebruikte batterijen buiten bereik van kinderen. Als het batterijvak niet goed sluit, gebruik het product dan niet langer en houd het buiten bereik van kinderen. Als u vermoedt dat de batterijen zijn ingeslikt of in enig deel van het lichaam zijn gebracht, zoek dan onmiddellijk medische hulp. LET OP: Er bestaat explosiegevaar wanneer de batterij door een onjuist type wordt vervangen. Verwijder gebruikte batterijen in overeenstemming met de instructies. Onjuiste vervanging van de batterij door een onjuist type kan een beveiliging omzeilen (bijvoorbeeld in het geval van sommige typen lithiumbatterijen). Gooi de batterij niet in vuur of een hete oven en plet of snij de batterij niet op mechanische wijze, want dat kan een explosie veroorzaken. Laat de batterij niet in een omgeving met een extreem hoge temperatuur liggen, want dat kan een explosie of het lekken van brandbare vloeistof of gas tot gevolg hebben. Stel de batterij niet bloot aan extreem lage luchtdruk, want dat kan een explosie of het lekken van brandbare vloeistof of gas tot gevolg hebben. + identificeert de positieve aansluiting(en) van apparatuur die wordt gebruikt met gelijkstroom of die dat genereert. - identificeert de negatieve aansluiting(en) van apparatuur die wordt gebruikt met gelijkstroom of die dat genereert.

Brandveiligheid

Plaats geen bronnen met open vuur, zoals brandende kaarsen, op het apparaat. De seriële poort van de apparatuur wordt alleen gebruikt voor foutopsporing.

Waarschuwing voor heet oppervlak

LET OP: Hete onderdelen! Verbrande vingers bij het behandelen van de onderdelen. Wacht een half uur na het uitschakelen voordat u onderdelen aanraakt. Deze sticker is om aan te

geven dat het gemarkeerde item heet kan zijn en niet mag worden aangeraakt zonder voorzichtig te zijn. Als het apparaat is voorzien van deze sticker, is het bestemd voor installatie in een ruimte met beperkte toegang.



worden verkregen door onderhoudspersoneel of door gebruikers die zijn geïnstrueerd over de redenen voor de beperkingen die van toepassing zijn op de locatie en over alle voorzorgsmaatregelen die moeten worden getroffen.

Installatie

Installeer de apparatuur volgens de instructies in deze handleiding. Om letsel te voorkomen moet deze apparatuur in overeenstemming met de installatie-instructies stevig aan de grond of muur worden bevestigd. Plaats de apparatuur nooit op een onstabiele plaats. De apparatuur kan dan vallen, wat ernstig letsel of de dood tot gevolg kan hebben.

Stroomvoorziening

Het apparaat wordt aangedreven door Zeer lage veiligheidsspanning (ZLVS): De stroombron moet voldoen aan de vereisten voor beperkte stroombronnen of PS2-vereisten volgens de normen IEC 60950-1 of IEC 62368-1. Het apparaat wordt aangedreven door AC-voedingsspanning: De apparatuur moet worden aangesloten op een geaard stopcontact. Extern aan de apparatuur moet een geschikt, gemakkelijk toegankelijk ontkoppelingapparaat worden ingebouwd. Extern aan de apparatuur moet een geschikte overstroombeveiliging worden ingebouwd, die de specificatie van het gebouw niet overschrijdt. In de elektrische installatie van het gebouw moet een meerpulige netschakelaar worden ingebouwd. Zorg voor de juiste bekabeling van de klemmen voor aansluiting op een wisselstroomnet. Indien nodig is de apparatuur aangepast voor aansluiting op een IT-stroomdistributiesysteem.

Verlichting met wit licht (indien ondersteund)

Dit product stoot mogelijk gevaarlijke optische straling uit. Staar NIET in de operationele lichtbron. Dit kan schadelijk zijn voor uw ogen. Draag de juiste oogbescherming of doe het witte licht NIET aan wanneer u de camera monteert, installeert of onderhoudt.

Transport

Bewaar het apparaat in de originele of soortgelijke verpakking tijdens vervoer.

Systeembeveiliging

Het installatieprogramma en de gebruiker zijn verantwoordelijk voor wachtwoord- en beveiligingsconfiguratie.

Onderhoud

Als het product niet goed werkt, neem dan contact op met uw leverancier of het dichtstbijzijnde servicecentrum. Wij aanvaarden geen verantwoordelijkheid voor problemen die zijn veroorzaakt door ongeautoriseerde reparatie of onderhoud. Een paar componenten van het apparaat (o.a. elektrolytische condensator) vereisen regelmatige vervanging. De gemiddelde levensduur varieert, dus periodieke controle wordt aanbevolen. Neem contact op met uw leverancier voor meer informatie.

Reiniging

Gebruik een zachte, droge doek om de binnenkant en buitenkant van de productklep te reinigen. Gebruik geen alkalische reinigingsmiddelen.

Gebbruiksomgeving

Wanneer laserapparatuur in gebruik is, zorg er dan voor dat de lens van het apparaat niet wordt blootgesteld aan de laserstraal, anders kan deze doorbranden. Stel het apparaat NIET bloot aan hoge elektromagnetische straling of stoffige omgevingen. Plaats apparaten die alleen binnenhuis worden gebruikt in een droge en goed geventileerde omgeving. Richt de lens NIET op de zon of een ander fel licht. Zorg dat de gebruiksomgeving voldoet aan de vereisten van het apparaat. Plaats de camera NIET op extreem warme, koude, stoffige of vochtige plekken en stel het niet bloot aan hoge elektromagnetische straling.

Noodgeval

Als er rook, geur of geluid uit het apparaat komt, schakel het dan onmiddellijk uit, haal de stekker van het netsnoer uit het stopcontact en neem contact op met het servicecentrum.

Tijdsynchronisatie

Stel tijd op het apparaat handmatig in bij de eerste aanmelding, als de lokale tijd niet is gesynchroniseerd met die van het netwerk. Bezoek het apparaat via webbrowser/clientsoftware en ga naar de interface voor tijdsinstellingen.

Reflectie

Zorg ervoor dat er geen reflecterend oppervlak te dicht bij de lens van het apparaat is. Het IR-licht van het apparaat kan terugkaatsen in de lens waardoor reflectie ontstaat.

Čeština

EU prohlášení o shodě



Tento výrobek a případně i dodané příslušenství jsou označeny štítkem „CE“, což znamená, že vyhovují příslušným

harmonizovaným evropským normám uvedeným ve směrnici o elektromagnetické kompatibilitě (EMC) 2014/30/EU, směrnici o nízkém napětí (LVD) 2014/35/EU, směrnici o nebezpečných látkách (RoHS) 2011/65/EU a zařízení Wi-Fi směrnici o rádiových zařízeních (RE) 2014/53/EU.



Směrnice 2012/19/ES (WEEE): Výrobky označené tímto symbolem nelze v Evropské unii likvidovat společně s netříděným domovním odpadem. Při zakoupení nového ekvivalentního výrobku tento výrobek řádně

zrecykluje vrácením svému místnímu dodavateli, nebo jej zlikvidujte odevzdáním v určených sběrných místech. Více informací naleznete na webu: www.recyclethis.info



Směrnice 2006/66/ES (týkající se baterií): Tento výrobek obsahuje baterii, kterou nelze v Evropské unii likvidovat společně s netříděným domovním odpadem. Konkrétní informace o baterii naleznete v dokumentaci

výrobku. Baterie je označena tímto symbolem, který může obsahovat písmena značící kadmium (Cd), olovo (Pb) nebo rtuť (Hg). Za účelem řádné recyklace baterii odevzdejte svému dodavateli nebo na určené sběrné místo. Více informací naleznete na webu: www.recyclethis.info

Bezpečnostní pokyny

Účelem těchto pokynů je to, aby uživatel používal tento produkt správně a nedošlo k žádným nebezpečím ani ztrátě majetku.

Zákony a předpisy

Zařízení je nutné používat v souladu s místními zákony a předpisy týkajícími se elektrické bezpečnosti a předpisy pro protipožární ochranu.

Elektřina

Při používání výrobku je nutné přísně dodržovat všechny národní a místní předpisy týkající se elektrické bezpečnosti. Zařízení nesmí být vystaveno kapající nebo stříkající vodě a nesmí se na něj pokládat předměty s tekutinami, jako jsou vázy. Ve speciálních podmínkách, jako je na vrcholcích hor, na kovové věži nebo v lese namontujte do vstupního otvoru zařízení přepětovou ochranu. **UPOZORNĚNÍ:** Pojistku vyměňte pouze za pojistku stejného typu a se stejným jmenovitým proudem, abyste omezili nebezpečí požáru.

Baterie

Zabraňte spolknutí baterie. Nebezpečí chemického popálení! Tento výrobek obsahuje knoflíkovou baterii. Dojde-li ke spolknutí knoflíkové baterie, může dojít k závažným popáleninám již za dvě hodiny, a následkem může být smrt. Nové a použité baterie uchovávejte mimo dosah dětí. Nezavře-li se bezpečně přihrádka na baterie, přestaňte výrobek používat a držte jej mimo dosah dětí. Myslíte-li si, že mohlo dojít ke spolknutí baterií nebo jejich umístění uvnitř kterékoli části těla, okamžitě vyhledejte lékařskou pomoc. **UPOZORNĚNÍ:** Při výměně baterie za nesprávný typ hrozí nebezpečí výbuchu. Použité baterie zlikvidujte podle pokynů. Vyměníte-li baterii za nesprávný typ, může dojít k poškození bezpečnostního prvku (například v případě některých typů lithiových baterií). Baterii nevhazujte do ohně, nekládejte do horké trouby, mechanicky ji nedrťte ani neřezejte. Mohlo by dojít k výbuchu. Neopouštějte baterii v prostředí s extrémně vysokou teplotou, protože by mohlo dojít k výbuchu nebo úniku hořlavé kapaliny nebo plynu. Nevystavujte baterii extrémně nízkému tlaku vzduchu, protože by mohlo dojít k výbuchu nebo úniku hořlavé kapaliny nebo plynu. + označuje kladnou svorku zařízení, která se používá se stejnosměrným proudem nebo jej generuje. - označuje zápornou svorku zařízení, která se používá se stejnosměrným proudem nebo jej generuje.

Požární ochrana

Na zařízení se nesmí pokládat zdroje otevřeného ohně jako

například hořící svíčky. Sériový port zařízení se používá pouze k ladění.

Prevence před spálením horkými povrchy

UPOZORNĚNÍ: Horké díly! Při manipulaci s díly si můžete popálit prsty. Než budete s díly manipulovat, vyčkejte po vypnutí zařízení půl hodiny. Tato nálepka označuje, že označená položka



může být horká a měli byste se jí vždy dotýkat opatrně. Zařízení s touto nálepkou je určeno k instalaci na místě s omezeným přístupem, přístup mohou získat pouze zaměstnanci servisu nebo uživatelé, kteří byli poučeni o důvodech omezení vztahujících se k místu a o veškerých ochranných opatřeních, která mají být přijata.

Montáž

Namontujte zařízení podle pokynů v tomto návodu. Zařízení je třeba v souladu s montážními pokyny bezpečně připevnit na podlahu nebo na zeď, aby nedošlo ke zranění. Zařízení nikdy neumísťujte na nestabilní místo. Zařízení může spadnout a způsobit vážné zranění nebo smrt.

Napájení

Zařízení je napájeno SELV (velmi nízké bezpečnostní napětí): Zdroj napájení musí splňovat požadavky na omezený zdroj napájení nebo požadavky PS2 podle normy IEC 60950-1 nebo IEC 62368-1. Zařízení je napájeno AC síťovým napětím: Zařízení musí být připojeno k uzemněné síťové zásuvce. Vně zařízení musí být k dispozici vhodně snadno přístupné odpojovací zařízení. K dispozici musí být vhodné zařízení proudové ochrany, které musí být k zařízení připojeno externě a nesmí překročit specifikaci budovy.

Elektroinstalace budovy musí zahrnovat vypínač všech pólů. Při připojení ke zdroji střídavého proudu zajistěte správné zapojení svorek. Toto zařízení bylo navrženo a v případě potřeby upraveno k připojení do rozvodného systému IT.

Bílé osvětlení (je-li podporováno)

Tento výrobek může vyzařovat nebezpečné optické záření. NEDÍVEJTE se do zapnutého zdroje světla. Může být pro oči škodlivé. Při sestavení, montáži nebo údržbě kamery noste vhodnou ochranu očí nebo NEZAPÍNEJTE bílé světlo.

Přeprava

Při přepravě uchovávejte zařízení v původním nebo jemu podobném balení.

Zabezpečení systému

Za konfiguraci hesla a zabezpečení je zodpovědný montážní pracovník a uživatel.

Údržba

V případě, že výrobek nefunguje správně, obraťte se na prodejce nebo na nejbližší servisní středisko. Nepřebíráme žádnou odpovědnost za problémy způsobené neoprávněnou opravou nebo údržbou. Některé z komponent zařízení (např. elektrolytický kondenzátor) je nutné pravidelně vyměňovat. Průměrná doba životnosti se liší, doporučujeme proto pravidelné kontroly. Podrobnosti vám poskytne prodejce.

Čištění

Při čištění vnitřní a vnější plochy krytu produktu použijte měkký a suchý hadřík. Nepoužívejte alkalické čisticí prostředky.

Provozní prostředí

Používá-li se nějaké laserové zařízení, zajistěte, aby nebyl objektiv zařízení vystaven laserovému paprsku. V opačném případě by se mohl vypálit. NEVYSTAVUJTE zařízení silnému elektromagnetickému záření ani prašnému prostředí. Zařízení je určeno pouze pro použití v interiéru, umístěte jej na suché a dobře větrané místo. NEMIŘTE objektivem do slunce ani do jiného zdroje jasného světla. Zajistěte, aby provozní prostředí vyhovovalo požadavkům zařízení. Kameru NEUMISŤUJTE na místa s extrémně vysokými nebo nízkými teplotami, do prašného nebo vlhkého prostředí a ani ji nevystavujte vysokému elektromagnetickému záření.

Stav nouze

Pokud ze zařízení vychází kouř, zápach nebo hluk, zařízení okamžitě vypněte, odpojte napájecí kabel a obraťte se na servisní středisko.

Synchronizace času

Není-li místní čas synchronizován s časem sítě, nastavte při prvním přístupu čas zařízení ručně. Přejděte prostřednictvím webového prohlížeče nebo klientského softwaru k zařízení a otevřete rozhraní pro nastavení času.

Odraz

Ujistěte se, že v těsné blízkosti objektivu zařízení není žádný odrazný povrch. Infračervené osvětlení ze zařízení se může odrážet zpět do objektivu, a způsobovat tak odrazy.

Dansk

EU-overensstemmelseserklæring



Produktet og eventuelt medfølgende tilbehør er mærket "CE" og opfylder derfor gældende harmoniserede europæiske standarder anført

i EMC-direktivet 2014/30/EU, LVD-direktivet 2014/35/EU, RoHS-direktivet 2011/65/EU, RE-direktivet 2014/53/EU (wi-fi-enhed)



2012/19/EU (WEEE-direktivet): Produkter, der er mærket med dette symbol, kan ikke bortskaffes som almindeligt husholdningsaffald i EU. Med henblik på korrekt genbrug skal du aflevere produktet til

din lokale leverandør ved køb af tilsvarende nyt udstyr eller aflevere det på et dertil indrettet indleveringssted. Du kan få flere oplysninger her: www.recyclethis.info



2006/66/EF (batteridirektivet): Dette produkt indeholder et batteri, som ikke kan bortskaffes sammen med almindeligt husholdningsaffald i EU. Find specifikke oplysninger om batteriet i

produkt dokumentationen. Batteriet er mærket med dette symbol, som kan indeholde bogstaver, der indikerer indhold af kadmium (Cd), bly (Pb) eller kviksølv (Hg). Med henblik på korrekt genbrug skal du aflevere batteriet til din leverandør eller til et dertil indrettet indleveringssted. Du kan få flere oplysninger her: www.recyclethis.info

Sikkerhedsanvisning

Disse anvisninger skal sikre, at brugeren kan anvende produktet korrekt og undgå fare eller tab af ejendom.

Love og bestemmelser

Enheden skal anvendes i overensstemmelse med lokale love, sikkerhedsbestemmelser for elnettilslutning og brandforebyggelse.

Elektricitet

Når du anvender produktet, skal du strengt overholde landets og regionens sikkerhedsbestemmelser for elnettilslutning. Udsæt ikke udstyret for dryp eller sprøjt, og placér ikke genstande med væske, såsom vaser, oven på udstyret. Installér en spændingsdæmper ved udstyrets indgangsåbning under særlige forhold som f.eks. bjergtop, jerntårn og skov. **FORSIGTIG:** Udskift kun med en sikring af samme type og effekt for at reducere risikoen for brand.

Batteri

Slug ikke batteriet. Fare for kemisk ætsning! Produktet indeholder et mønt-/knapcellebatteri. Et mønt-/knapcellebatteri, der sluges, kan medføre alvorlige indre forbrændinger på bare 2 timer og kan medføre døden. Hold nye og brugte batterier væk fra børn. Hvis batterirummet ikke lukker forsvarligt, skal du stoppe med at bruge produktet og holde det væk fra børn. Hvis du tror, at en person har slugt et batteri eller placeret det i en del af kroppen, skal du øjeblikkeligt søge lægehjælp. **FORSIGTIG:** Der er eksplosionsfare, hvis batteriet udskiftes med en ukorrekt type. Bortskaf brugte batterier i henhold til anvisningerne. Udskiftning af batteriet med et batteri af forkert type kan sætte en sikkerhedsforanstaltning ud af kraft (gælder fx for visse litium-batterityper). Bortskaf ikke batteriet i åben ild eller en varm ovn. Knus ikke, og skær ikke i batteriet, da dette kan forårsage en eksplosion. Opbevar ikke batteriet i omgivelser med ekstremt høje temperaturer, da det kan medføre en eksplosion eller lækage af brandfarlig væske eller luftart. Udsæt ikke batteriet for omgivelser med ekstremt lavt lufttryk, da det kan medføre en eksplosion eller lækage af brandfarlig væske eller luftart. + identificerer de positive terminaler på udstyret, der bruges sammen med eller genererer jævnstrøm. - identificerer de negative terminaler på udstyret, der bruges sammen med eller genererer jævnstrøm.

Forebyggelse af brand

Placér ikke kilder med åben ild, såsom et tændt stearinlys, oven på udstyret. Den serielle port på udstyret bruges kun til fejlfinding.

Varm overflade

FORSIGTIG: Varme dele! Du kan brænde fingrene ved



håndtering af delene. Vent en halv time fra du slukker, til du håndterer delene. Mærket angiver, at den mærkede del kan være

varm og bør berøres med forsigtighed. Hvis enheden har påsat dette klistermærke, betyder det, at enheden skal installeres et sted med begrænset adgang, hvor adgang kun kan opnås af servicepersonale eller af brugere, der er instrueret i årsagerne til stedets begrænsninger og i evt. forholdsregler, der skal træffes.

Installation

Installér udstyret i overensstemmelse med anvisningerne i vejledningen. For at undgå personskade skal udstyret fastgøres forsvarligt til gulvet/væggen i overensstemmelse med installationsvejledningen. Placér aldrig udstyret på et usikkert underlag. Udstyret kan vælte og forårsage alvorlig personskade eller død.

Strømforsyning

Enheden drives af ekstra lav spænding (SELV): Strømkilden skal overholde kravene i LPS eller PS2 iht. standarden IEC 60950-1 eller IEC 62368-1.

Enheden strømforsynes med vekselstrøm fra lysnettet: Udstyret skal tilsluttes en stikkontakt på elnettet med jordforbindelse. En passende, let tilgængelig afbryder skal tilføjes eksternt i forhold til udstyret. En passende overspændingsbeskyttelse skal tilføjes eksternt i forhold til udstyret. Denne må ikke overstige specifikationerne for bygningen. En hovedafbryder til alle poler skal indbygges i bygningens elinstallation. Sørg for korrekt kabelføring af terminalerne for tilslutning til en strømforsyning med vekselstrøm. Udstyret kan efter behov ændres til tilslutning til et strømfordelingssystem med klassifikation IT.

Hvidt lys (hvis understøttet)

Mulig farlig optisk stråling fra dette produkt. UNDLAD at stirre ind i lyskilden. Kan være skadelig for øjnene. Bær passende øjenbeskyttelse eller UNDLAD at tænde det hvide lys, når du samler, installerer eller vedligeholder kameraet.

Transport

Opbevar enheden i den oprindelige eller en lignende emballage, når den skal transporteres.

Systemikkerhed

Installatør og bruger er ansvarlige for konfiguration af adgangskode og sikkerhed.

Vedligeholdelse

Hvis produktet ikke virker korrekt, skal du kontakte din forhandler eller dit nærmeste servicecenter. Vi påtager os intet ansvar for problemer, der er forårsaget af uautoriseret

reparation eller vedligeholdelse. Der er få enhedsdele (fx elektrolytkondensator), der skal udskiftes regelmæssigt. Den gennemsnitlige levetid varierer. Derfor er det nødvendigt at udføre regelmæssig kontrol. Kontakt din forhandler for nærmere oplysninger.

Rengøring

Brug en blød, tør klud, når du rengør kamerakuplens yder- og indersider. Brug ikke alkaliske rengøringsmidler.

Driftsmiljø

Når der er et laserudstyr i brug, skal det kontrolleres, at enhedens objektiv ikke udsættes for laserstrålen, ellers kan det brænde ud. Enheden må IKKE udsættes for kraftig elektromagnetisk stråling eller støvfylde miljøer. Indendørsenheder skal placeres i et tørt og velventileret miljø. Objektivet må IKKE rettes mod solen eller et stærkt lys. Kontrollér, at driftsmiljøet opfylder enhedens krav. UNDLAD

at placere kameraet på ekstremt varme, kolde, støvede eller fugtige steder, og udsæt det ikke for høj elektromagnetisk stråling.

Nødsituation

Hvis enheden afgiver røg, lugt eller støj, skal du straks slukke for strømmen og trække strømkablet ud. Kontakt derefter servicecentret.

Tidssynkronisering

Indstil enhedstiden manuelt første gang, du tilgår enheden, hvis den lokale tid ikke er synkroniseret med netværkets. Gå ind på enheden via din webbrowser/klientsoftware, og gå ind i tidsindstillingerne.

Refleksion

Sørg for, at der ikke findes reflekterende overflader for tæt på enhedens objektiv. IR-lyset fra enheden kan skinne tilbage i linsen og give genskin.

Magyar

EU megfeleléségi nyilatkozat



Ez a termék és tartozékai (amennyiben vannak) „CE” jelöléssel vannak ellátva, ezáltal megfelelnek a következő irányelvekben foglalt

harmonizált európai szabványoknak: 2014/30/EU

(EMC-irányelv), 2014/35/EU (kiszívóteljesítmény-irányelv),

2011/65/EU (RoHS-irányelv), wifi eszközök esetében:

2014/53/EU (RE-irányelv)



2012/19/EU (WEEE-irányelv): Az ezzel a jelzéssel ellátott termékeket nem lehet szelektálatlan kommunális hulladékként elhelyezni az Európai Unióban. A megfelelő újrahasznosítás érdekében vigye vissza ezt a

terméket helyi beszállítójához, amikor új, egyenértékű berendezést vásárol, vagy adja le a kijelölt gyűjtőhelyeken.

További információk: www.recyclethis.info



2006/66/EC (akkumulátorokról szóló irányelv):

Ez a termék olyan akkumulátort tartalmaz, amelyet nem lehet szelektálatlan kommunális hulladékként elhelyezni az Európai Unióban. A termékdokumentációban további

információkat talál az akkumulátorról. Az akkumulátor ezzel a jelzéssel van ellátva. A jelzésen megtalálhatók lehetnek a kadmiumot (Cd), ólmot (Pb) vagy higanyt (Hg) jelző betűjelek. A megfelelő újrahasznosítás érdekében vigye vissza ezt a terméket a beszállítójához, vagy vigye egy kijelölt gyűjtőhelyre. További információk: www.recyclethis.info

Biztonsági utasítások

Ezen utasítások célja annak biztosítása, hogy a felhasználó a terméket megfelelően tudja használni veszély vagy vagyoni veszteség elkerülése érdekében.

Törvények és szabályok

Az eszközt a helyi törvények, elektromos biztonsági és tűzvédelmi előírások betartásával kell használni.

Elektromosság

A termék használata során az ország és a régió elektromos biztonsági előírásait szigorúan be kell tartani. A készüléket védeni kell csöpögő vagy fröccsenő víz és folyadékok ellen.

Ne helyezzen vizet tartalmazó edényt, tárgyat, pl. vázát a tetejére. Speciális elhelyezés (pl. hegytető, vastorony, erdő) esetén a berendezés bemeneti nyílásánál alkalmazzon túláramvédőt. VIGYÁZAT: A tűzveszély csökkentése érdekében csak azonos típusú és névleges értékű cserebiztosítót használjon.

Akkumulátor

Ne nyelje le az elemet. Marási sérülés veszélye! Ez a termék gombelemet tartalmaz. A gombelem lenyelés esetén már 2 órán belül súlyos belső marási sérülést és akár halált okozhat. Az új és használt akkumulátorok gyermekektől elzárva tartandók. Ha az akkumulátorrekesz nem záródik megfelelően, ne használja a terméket és gyermekektől tartsa elzárva. Az akkumulátort lenyelésének vagy más testnyílásba helyezésének gyanúja esetén azonnal orvosi ellátást kell kérni. VIGYÁZAT: Az akkumulátor nem megfelelő típusúra cserélése robbanásveszélyt idézhet elő. A használt akkumulátorok hulladékkezelésekor kövesse az utasításokat. Az akkumulátor nem megfelelő típusú történő helyettesítése hatástalanná tehet egy biztonsági berendezést (például bizonyos típusú lítiumion-akkumulátorok esetében). Tilos az akkumulátort tűzbe vagy forró sütőbe tenni, illetve az akkumulátort összezúzni vagy felvágni, mert ez robbanást okozhat. Tilos az akkumulátort rendkívül magas környezeti hőmérsékletnek kitenni, mert ez robbanást, illetve gyúlékony folyadék vagy gáz szivárgását idézheti elő. Tilos az akkumulátort rendkívül alacsony légnyomásnak kitenni, mert ez robbanást, illetve gyúlékony folyadék vagy gáz szivárgását okozhatja. A + a berendezés áramot fogadó vagy leadó pozitív érintkezőjét

jelöli. A - a berendezés áramot fogadó vagy leadó negatív érintkezőjét jelöli.

Tűzvédelmi előírások

Tilos a készüléken nyílt lángforrást, pl. gyertyát elhelyezni. A készülék soros portja kizárólag hibakeresésre szolgál.

Forró felületek

VIGYÁZAT: Forró részek! Az alkatrészek megérintése esetén az ujjak égési sérülésének veszélye áll fenn. Az eszköz kikapcsolását követően várjon fél órát, mielőtt ezekhez a részekhez érne. Ez a



címke azt jelöli, hogy a jelölt elem forró lehet, és csak kellő elővigyázatossággal szabad megérinteni. A matricával megjelölt eszközöket korlátozottan hozzáférhető helyeken történő használatra tervezték, a hozzáférés csak a szervizszemélyzet vagy olyan felhasználók számára engedélyezett, akiket tájékoztattak a beépítési hely korlátozott hozzáférhetőségének okáról, valamint a szükséges óvintézkedésekről.

Telepítés

A készülék telepítését az ebben az útmutatóban leírtak szerint végezze. A balesetveszély elkerülése érdekében a készüléket az üzembe helyezési utasításoknak megfelelően szilárdan a padlóhoz/falhoz kell erősíteni. Soha ne helyezze a berendezést instabil helyre. A berendezés leeshet, ami súlyos vagy akár halálos sérülést okozhat.

Tápellátás

Az eszköz biztonságos rendkívüli alacsony feszültségről (SELV) működik: Az áramforrásnak teljesítenie kell a korlátozott áramforrásokra vonatkozó előírásokat vagy az IEC 60950-1 vagy IEC 62368-1 szabvány PS2 előírásait. Az eszköz váltakozó áramú hálózati feszültségről működik: A berendezést földelt hálózati aljzatra kell csatlakoztatni. Egy megfelelően könnyen hozzáférhető leválasztó eszköz legyen kívülről beépítve a berendezésbe. Egy megfelelő túláramvédő berendezés legyen kívülről beépítve a berendezésbe, amely nem haladja meg az épület műszaki előírásait. Az épület elektromos hálózatának tartalmaznia kell egy minden pólust megszakító főkapcsolót. Ügyeljen a váltakozóáramú hálózati feszültségforráshoz csatlakozó érintkezők megfelelő bekötésére. A készülék úgy van kialakítva, hogy szükség esetén IT besorolású tápfeszültség-elosztó rendszerhez csatlakoztatható.

Fehér fényű fényforrás (ha támogatott)

A termék potenciálisan veszélyes fénysugarat bocsát ki. NE nézzen a működő fényforrásba. Ez szemkárosodást okozhat. Viseljen megfelelő szemvédő eszközt, illetve NE kapcsolja be

a fehér fényforrást a kamera összeszerelése, telepítése vagy karbantartása közben.

Szállítás

Szállítás alkalmával tartsa a terméket az eredeti vagy ahhoz hasonló csomagolásban.

Rendszerbiztonság

A jelszó és a biztonság beállításáért a telepítést végző személy, valamint a felhasználó felelősek.

Karbantartás

Ha a termék nem működik megfelelően, forduljon a kereskedőjéhez vagy a legközelebbi szervizközponthoz. Nem vállalunk felelősséget az illetéktelen javításból vagy karbantartásból eredő károkért. A készülék néhány alkatrésze (pl. elektrolit kondenzátor) rendszeres cserét igényel. Ezek átlagos élettartama változó, ezért időszakonkénti ellenőrzés ajánlott. Részletekért forduljon a kereskedőjéhez.

Tisztítás

A termék burkolata külső és belső felületének tisztításához puha, száraz ruhát használjon. Ne használjon lúgos tisztítószereket.

Használati környezet

Ha bármilyen lézerekészüléket használ, biztosítsa, hogy a készülék lencséjét ne érje a lézersugár, különben az kiegészít. NE TEGYE ki a készüléket erős elektromágneses sugárzásnak vagy poros környezetnek. A kizárólag beltéri használatra alkalmas készüléket száraz és jól szellőző környezetben helyezze el. NE IRÁNYÍTSA a lencsét a Nap vagy már erős fényforrás irányába. Győződjünk meg arról, hogy a használati környezet megfelel a készülék előírásainak. NE helyezze a kamerát szélsőségesen forró, hideg, poros vagy nedves környezetbe, és ne tegye ki erős elektromágneses sugárzásnak.

Vészhelyzet

Ha a készülék füstöt, furcsa szagot vagy zajt bocsát ki, azonnal kapcsolja ki, húzza ki a tápkábelt, majd forduljon a szervizközponthoz.

Időszinkronizálás

Ha a helyi idő hálózati idővel való szinkronizálása nem történik meg, akkor az eszköz idejét kézzel kell beállítani. Webböngészőn/kliensszoftveren keresztül nyissa meg az eszközt, majd lépjen az időbeállítás felületre.

Tükröződés

Győződjön meg arról, hogy nincs tükröződő felület az eszköz optikájának közelében. Az eszköz által sugárzott infravörös fény visszatükröződhet az optikába, és reflexiót okozhat.

Deklaracja zgodności z dyrektywami Unii Europejskiej



Ten produkt i ewentualnie dostarczone razem z nim akcesoria oznaczone symbolem „CE” potwierdzają zgodność z odpowiednimi

Polski

ujednoczonymi normami europejskimi, uwzględnionymi w dyrektywie 2014/30/EU dotyczącej kompatybilności elektromagnetycznej (EMC), dyrektywie 2014/35/EU dotyczącej sprzętu elektrycznego przewidzianego do stosowania w określonych granicach napięcia (LVD), dyrektywie 2011/65/EU w sprawie ograniczenia stosowania niektórych niebezpiecznych substancji w sprzęcie elektrycznym i elektronicznym (RoHS) i dyrektywie radiowej 2014/53/EU (RE) (w przypadku urządzeń Wi-Fi).



Dyrektywa 2012/19/EU w sprawie zużytego sprzętu elektrycznego i elektronicznego (WEEE): Produktów oznaczonych tym symbolem nie wolno utylizować na obszarze Unii Europejskiej jako

nieselegowane odpady komunalne. Aby zapewnić prawidłowy recykling, należy zwrócić ten produkt do lokalnego dostawcy przy zakupie równoważnego nowego urządzenia lub utylizować go w wyznaczonym punkcie selektywnej zbiórki odpadów. Aby uzyskać więcej informacji, skorzystaj z następującej witryny internetowej:

www.recyclethis.info



Dyrektywa 2006/66/WE w sprawie baterii i akumulatorów: Ten produkt zawiera baterię, której nie wolno utylizować na obszarze Unii Europejskiej jako nieselegowane odpady komunalne. Szczegółowe informacje

dotyczące baterii zamieszczono w dokumentacji produktu. Bateria jest oznaczona tym symbolem, który może także zawierać litery wskazujące na zawartość kadmu (Cd), ołowiu (Pb) lub rtęci (Hg). Aby zapewnić prawidłowy recykling, należy zwrócić baterię do dostawcy lub przekazać ją do wyznaczonego punktu zbiórki. Aby uzyskać więcej informacji, skorzystaj z następującej witryny internetowej:

www.recyclethis.info

Zalecenia dotyczące bezpieczeństwa

Niniejsze instrukcje umożliwiają prawidłowe użytkowanie urządzenia oraz uniknięcie zagrożeń i zniszczenia wyposażenia.

Przepisy i rozporządzenia

Urządzenie powinno być użytkowane zgodnie z lokalnymi przepisami, rozporządzeniami dotyczącymi korzystania z wyposażenia elektrycznego i przepisami przeciwpożarowymi.

Zasilanie elektryczne

Produkt powinien być użytkowany zgodnie z rozporządzeniami dotyczącymi bezpiecznego korzystania z urządzeń elektrycznych, obowiązującymi w danym kraju lub regionie. Nie wolno dopuścić do rozlania cieczy na urządzeniu. Nie wolno ustawiać na urządzeniu naczyń napełnionych cieczą, takich jak wazon. Należy zapewnić tłumienie uderów elektrycznych przy otwarciu bramki w określonych lokalizacjach takich jak szczyt wzgórza, wieża z elementów stalowych lub las. PRZESTROGA: Aby ograniczyć zagrożenie

pożarowe, należy używać bezpieczników tego samego typu i o takich samych parametrach znamionowych.

Bateria

Nie wolno połykać baterii. Zagrożenie oparzeniem chemicznym! W tym produkcie wykorzystywana jest bateria pastylkowa. Połknięcie baterii pastylkowej może spowodować poważne oparzenie wewnętrzne już po dwóch godzinach i zgon. Nowe i zużyte baterie należy przechowywać w miejscu niedostępnym dla dzieci. Jeżeli zasobnik na baterie nie jest prawidłowo zamknięty, należy zrezygnować z użycia produktu i umieścić go w miejscu niedostępnym dla dzieci. Jeżeli można przypuszczać, że baterie zostały połknięte lub w inny sposób dostały się do wnętrza ciała, należy niezwłocznie skorzystać z porady/pomocy medycznej. PRZESTROGA: Zainstalowanie nieodpowiedniej baterii może spowodować wybuch. Zużyte baterie należy utylizować zgodnie z instrukcjami. Zainstalowanie nieodpowiedniej baterii może spowodować zagrożenie (dotyczy to na przykład niektórych baterii litowych). Wrzucenie baterii do ognia lub rozgrzanego pieca albo zgniecenie lub przecięcie baterii może spowodować wybuch. Wysoka temperatura w otoczeniu może spowodować wybuch baterii albo wyciek palnej cieczy lub gazu. Ekstremalnie niskie ciśnienie powietrza w otoczeniu może spowodować wybuch baterii albo wyciek palnej cieczy lub gazu. Symbol + oznacza dodatnie styki prądu stałego w urządzeniu. Symbol – oznacza ujemne styki prądu stałego w urządzeniu.

Ochrona przeciwpożarowa

Nie wolno umieszczać na urządzeniu źródeł nieosłoniętego płomienia, takich jak zapalone świece. Złącze szeregowo urządzenia jest używane wyłącznie do debugowania.

Zagrożenia związane z gorącymi elementami

PRZESTROGA: Gorące podzespoły! Dotknięcie gorących



podzespołów może spowodować oparzenie palców. Po wyłączeniu zasilania należy odczekać pół godziny przed dotknięciem

podzespołów urządzenia. Podzespoły oznaczone tą etykietą mogą być gorące, dlatego należy obchodzić się z nimi ostrożnie. Urządzenia oznaczone tą etykietą są przeznaczone do instalacji w lokalizacjach dostępnych tylko dla personelu serwisowego lub użytkowników poinformowanych o celach ograniczenia dostępu do danej lokalizacji i stosowanych środkach ostrożności.

Instalacja

Urządzenie należy zainstalować zgodnie z instrukcjami podanymi w tym podręczniku. Aby zapobiec zranieniu, należy przymocować urządzenie do podłogi/ściany zgodnie z instrukcjami instalacyjnymi. Nie wolno instalować urządzenia na niestabilnym podłożu. Urządzenie może upaść i spowodować poważne zranienie lub zgon.

Zasilanie

Zasilanie urządzenia w trybie bardzo niskiego napięcia bezpiecznego (SELV): źródło zasilania powinno spełniać

wymagania dotyczące źródeł zasilania z własnym ograniczeniem (LPS) lub wymagania PS2 zgodnie z normą IEC60950-1 lub IEC62368-1. Zasilanie urządzenia z sieci elektrycznej AC: urządzenie musi być podłączone do uziemionego gniazda sieci elektrycznej. Na linii zasilającej urządzenie należy zainstalować odpowiedni, łatwo dostępny odłącznik. Urządzenie należy podłączyć do odpowiedniego wyposażenia zabezpieczającego przed zbyt wysokim natężeniem prądu elektrycznego, zgodnego ze specyfikacjami instalacji budynku. Przetątnik sieciowy umożliwiający odłączenie wszystkich przewodów linii zasilania powinien być używany w instalacji elektrycznej budynku. Należy upewnić się, że przewody są prawidłowo podłączone do złączy sieci elektrycznej. Urządzenie zostało zaprojektowane w sposób umożliwiający przystosowanie do zasilania z sieci elektrycznej w konfiguracji IT.

Oświetlenie światłem białym (jeżeli jest używane)

Produkt emituje światło widzialne, które może być szkodliwe. NIE wolno spoglądać bezpośrednio w wiązkę światła. Może to spowodować zranienie oczu. Należy korzystać z odpowiednich okularów ochronnych, a jeżeli odpowiednie okulary są niedostępne, NIE wolno włączać oświetlenia światłem białym podczas montażu, instalacji lub konserwacji kamery.

Transport

Podczas transportu urządzenie powinno być umieszczone w oryginalnym lub podobnym opakowaniu.

Zabezpieczenia systemu

Instalator i użytkownik są zobowiązani do skonfigurowania hasła i zabezpieczeń.

Konserwacja

Jeżeli urządzenie nie działa prawidłowo, należy skontaktować się z dystrybutorem lub najbliższym centrum serwisowym. Producent nie ponosi odpowiedzialności za problemy spowodowane przez nieautoryzowane prace naprawcze lub konserwacyjne. Konieczna jest regularna wymiana kilku podzespołów urządzenia (np. kondensatora elektrolitycznego). Przeciętny okres użytkowania może być różny, dlatego zalecane jest regularne sprawdzanie stanu

technicznego podzespołów. Aby uzyskać więcej informacji, należy skontaktować się z dystrybutorem.

Czyszczenie

Wewnętrzne i zewnętrzne elementy urządzenia należy czyścić miękką, suchą ściereczką. Nie wolno stosować zasadowych środków czyszczących.

Warunki otoczenia

Jeżeli używane jest wyposażenie laserowe, należy upewnić się, że obiektyw urządzenia nie jest oświetlany przez wiązkę lasera, ponieważ może to spowodować jego spalanie. Należy chronić urządzenie przed silnym promieniowaniem elektromagnetycznym oraz kurzem i pyłem. Jeżeli urządzenie jest przeznaczone do użytku w budynkach, należy umieścić je w suchym i odpowiednio wentylowanym miejscu. NIE wolno kierować obiektywem w stronę słońca ani innego źródła intensywnego światła. Upewnij się, że warunki otoczenia spełniają wymagania określone przez producenta urządzenia. NIE wolno umieszczać kamery w lokalizacjach, w których występują bardzo wysokie lub niskie temperatury, kurz, pył lub wilgoć, ani narażać jej na silne promieniowanie elektromagnetyczne.

Poważne awarie

Jeżeli urządzenie wydziela dym lub intensywny zapach albo emituje hałas, należy niezwłocznie wyłączyć zasilanie i odłączyć przewód zasilający, a następnie skontaktować się z centrum serwisowym.

Synchronizacja czasu

Podczas pierwszego dostępu można ręcznie ustawić czas urządzenia, jeżeli nie jest on zsynchronizowany z czasem sieci. Należy wyświetlić okno ustawień czasu urządzenia przy użyciu przeglądarki internetowej / oprogramowania klienckiego.

Odbicie światła

Należy upewnić się, że żadne elementy odblaskowe nie znajdują się zbyt blisko obiektywu urządzenia. Promieniowanie podczerwone z urządzenia może być odbijane wstecz do obiektywu.

Română

Declarația de conformitate UE



Acest produs și - dacă este cazul - accesoriile furnizate sunt marcate cu "CE" și, prin urmare, respectă standardele europene

armonizate aplicabile enumerate în Directiva EMC 2014/30/UE, Directiva LVD 2014/35/UE, Directiva RoHS 2011/65/UE, dispozitiv Wi-Fi: Directiva RE 2014/53/UE



2012/19/UE (Directiva WEEE): Produsele marcate cu acest simbol nu pot fi eliminate ca deșeu municipal nesortat în Uniunea Europeană. Pentru o reciclare adecvată,

returna i acest produs furnizorului dvs. local la achiziționarea unui nou echipament echivalent sau elimina-l în punctele de colectare indicate. Pentru mai multe informații, consultați:

www.recyclethis.info



2006/66/CE (Directiva pentru baterii): Acest produs conține o baterie care nu poate fi eliminată ca deșeu municipal nesortat în Uniunea Europeană. Consultați documentația produsului pentru informații specifice cu privire la baterie. Bateria este marcată cu acest simbol, care poate include litere pentru a indica substanțele cadmiu (Cd),

plumb (Pb) sau mercur (Hg). Pentru o reciclare adecvată, returnați bateria furnizorului dvs. sau la un punct de colectare adecvat. Pentru mai multe informații, consultați: www.recyclethis.info

Instrucțiuni de siguranță

Aceste instrucțiuni au fost concepute pentru a se asigura că utilizatorul poate folosi corect produsul, în scopul evitării pericolelor și a pagubelor materiale.

Legi și regulamente

Dispozitivul trebuie utilizat în conformitate cu legile locale, reglementările privind siguranța electrică și reglementările privind prevenirea incendiilor.

Electricitate

În utilizarea produsului, trebuie să respectați cu strictețe reglementările de siguranță electrică naționale și regionale. Echipamentul nu trebuie să fie expus la picurare sau la stropire, astfel că niciun obiect umplut cu lichide, cum ar fi vasele, nu trebuie să fie plasat pe echipament. Asigurați protecția la suprasarcină la nivelul orificiului de intrare al dispozitivului, în condiții speciale, precum vârf de munte, turn de fier sau pădure. **ATENȚIE:** Pentru a reduce riscul de incendii, înlocuiți siguranțele doar cu siguranțe de același tip și de același amperaj.

Baterie

Nu ingerați bateria. Pericol de arsuri chimice! Acest produs conține o baterie cu celulele primare tip buton sau monedă. Dacă bateria cu celulele primare tip buton sau monedă este înghițată, poate provoca arsuri interne grave în doar 2 ore și poate duce la moarte. Nu lăsați bateriile noi și folosite la îndemâna copiilor. Dacă compartimentul pentru baterii nu se închide ferm, opriți utilizarea produsului și nu-l lăsați la îndemâna copiilor. Dacă credeți că bateriile ar fi putut fi înghițate sau introduse în orice parte a corpului, solicitați asistență medicală imediată. **ATENȚIE:** Există risc de explozie dacă bateria este înlocuită cu una de un tip incorect. Casați bateriile folosite conform instrucțiunilor. Înlocuirea bateriei cu una de un tip incorect poate cauza anularea protecției (de exemplu, anumite baterii de tip litiu). Nu aruncați bateria în foc sau într-un cuptor fierbinte și nu zdrobiți mecanic sau tăiați bateria. Aceasta poate exploda. Nu lăsați bateria într-un mediu cu o temperatură extrem de ridicată, deoarece acest lucru poate duce la explozie sau la scurgerea de lichid sau gaze inflamabile. Nu expuneți bateria la presiune atmosferică extrem de joasă, care poate duce la explozie sau la scurgerea de lichid sau gaze inflamabile. + identifică terminalul (terminalele) pozitiv (pozitive) al (ale) echipamentului cu care este utilizat sau care generează curent continuu. - identifică terminalul (terminalele) negativ (negative) al (ale) echipamentului cu care este utilizat sau care generează curent alternativ.

Prevenire incendiu

Nu plasați pe echipament surse de flacără deschisă, cum ar fi lumânări aprinse. Portul serial al echipamentului este utilizat

doar pentru depanare.

Prevenirea Suprafețelor Fierbinți



ATENȚIE: Componente fierbinți! Degete arse la manipularea pieselor. Așteptați o jumătate de oră după ce opriți dispozitivul, înainte de a manipula piesele. Acest autocolant

indică faptul că articolele marcate pot fi fierbinți și nu trebuie atinse fără precauție. Dacă dispozitivul are acest autocolant, aceasta înseamnă că dispozitivul este destinat instalării într-o locație cu acces restricționat, accesul poate fi obținut numai de către persoane de serviciu sau de către utilizatorii care au fost instruiți cu privire la motivele restricțiilor aplicate locației și despre orice precauții care trebuie luate.

Instalarea

Instalați echipamentul conform instrucțiunilor din acest manual. Pentru a preveni rănirea, acest echipament trebuie să fie fixat ferm pe podea/perete, în conformitate cu instrucțiunile de instalare. Nu plasați niciodată echipamentul într-un loc instabil. Echipamentul poate cădea și poate cauza astfel vătămări corporale sau decesul.

Alimentare electrică

Dispozitiv alimentat de tensiune foarte joasă de siguranță (SELV): Sursa de alimentare trebuie să îndeplinească cerințele sursei de alimentare limitată sau cerințele PS2 conform standardului IEC 60950-1 sau IEC 62368-1. Dispozitiv alimentat de tensiune de alimentare cu curent alternativ: Echipamentul trebuie să fie conectat la o ieșire a unei prize cu împământare. Un dispozitiv de deconectare adecvat, ușor accesibil, trebuie încorporat în exteriorul echipamentului. Un dispozitiv adecvat de protecție împotriva supracurentului trebuie încorporat în exteriorul echipamentului, fără a depăși specificațiile clădirii. În instalația electrică a clădirii se va încorpora un întrerupător de alimentare multipolar. Asigurați conectarea corectă a terminalelor pentru conectarea la o rețea de curent alternativ. Echipamentul a fost proiectat și modificat, în caz de necesitate, pentru conectarea la un sistem de distribuție a energiei electrice IT.

Illuminator cu lumină albă (dacă este acceptat)

Posibilă radiație optică periculoasă emisă de acest produs. NU priviți în sursa de lumină de operare. Poate fi dăunătoare pentru ochi. Purtați protecție pentru ochi adecvată sau NU porniți lumina albă când efectuați lucrări de asamblare, instalare sau întreținere a camerei.

Transportare

Păstrați dispozitivul în ambalaje originale sau similare în timp ce îl transportați.

Securitatea sistemului

Instalatorul și utilizatorul sunt responsabili pentru configurarea parolei și a securității acesteia.

Întreținere

Dacă produsul nu funcționează corespunzător, vă rugăm să contactați distribuitorul sau cel mai apropiat centru de service. Nu ne asumăm nicio responsabilitate pentru problemele cauzate de reparații sau întreținere neautorizate. Unele componente ale dispozitivului (de exemplu, condensatorul electrolitic) necesită înlocuirea regulată. Durata medie de viață variază, prin urmare, se recomandă verificarea periodică. Pentru detalii, contactați furnizorul dvs.

Curățarea

Utilizați o cârpă moale și uscată, atunci când curățați suprafețele interioare și exterioare ale capacului produsului. Nu folosiți detergenți alcalini.

Mediul de utilizare

Când se utilizează orice echipament laser, asigurați-vă că obiectivul dispozitivului nu este expus la fasciculul laser, în caz contrar, acesta se poate aprinde. NU expuneți dispozitivul la radiații electromagnetice ridicate sau în medii cu praf. Pentru dispozitivul destinat exclusiv uzului la interior, amplasați-l într-un mediu uscat și bine ventilat. Nu îndreptați obiectivul la soare sau la orice altă lumină

strălucitoare. Asigurați-vă că mediul de funcționare îndeplinește cerințele dispozitivului. NU amplasați camera în locații cu temperaturi extrem de ridicate, extrem de scăzute, cu praf sau umede, și nu o expuneți la radiații electromagnetice puternice.

Situații de urgență

Dacă dispozitivul emite fum, miros sau zgomot, decuplați imediat curentul electric, scoateți cablul de alimentare, și contactați centrul de service.

Sincronizarea orei

Setați ora dispozitivului manual când o porniți pentru prima dată dacă ora locală nu este sincronizată cu cea a rețelei. Accesați dispozitivul prin intermediul browser-ului web/software-ului de client și mergeți la interfața pentru setările orei.

Reflexie

Asigurați-vă că în apropierea lentilelor dispozitivului nu există nicio suprafață reflectorizantă. Lumina IR provenită de la dispozitiv poate fi reflectată înapoi în obiectiv, cauzând reflexia.

Slovenčina

Vyhlasenie o súlade s predpismi EÚ



Tento produkt a dodané príslušenstvo, ak je to relevantné, sú takisto označené značkou „CE“, takže sú v súlade s príslušnými

harmonizovanými európskymi normami uvedenými v smernici o elektromagnetickej kompatibilite 2014/30/EÚ, smernici o nízkom napätí 2014/35/EÚ, smernici o obmedzení používania určitých nebezpečných látok v elektrických a elektronických zariadeniach 2011/65/EÚ, smernici o rádiových zariadeniach 2014/53/EÚ pre zariadenie Wi-Fi.



2012/19/EÚ (smernica o odpade z elektrických a elektronických zariadení): Produkty označené týmto symbolom sa v rámci Európskej únie nesmú likvidovať spolu s netriedeným komunálnym odpadom. Po

zakúpení ekvivalentného nového zariadenia zrecyklujte produkt tým, že ho odovzdáte miestnemu dodávateľovi alebo ho zlikvidujete na určených zberných miestach. Ďalšie informácie nájdete na lokalite: www.recyclethis.info



2006/66/ES (smernica o batériách): Tento produkt obsahuje batériu, ktorá sa v rámci Európskej únie nesmie likvidovať spolu s netriedeným komunálnym odpadom. Konkrétne informácie o batérii nájdete

v dokumentácii produktu. Batéria je označená týmto symbolom, ktorý môže obsahovať písmená označujúce obsah kadmia (Cd), olova (Pb) alebo ortuti (Hg). Zrecyklujte batériu tým, že ju odovzdáte dodávateľovi alebo ju zlikvidujete na určenom zbernom mieste. Ďalšie informácie

nájdete na lokalite: www.recyclethis.info

Bezpečnostné pokyny

Tieto pokyny slúžia na zabezpečenie správneho používania produktu používateľom s cieľom predchádzať vzniku nebezpečenstva alebo majetkovým stratám.

Právne predpisy a nariadenia

Zariadenie by sa malo používať v súlade s miestnymi zákonmi, predpismi o elektrickej bezpečnosti a protipožiarными predpismi.

Elektrické požiadavky

Pri používaní produktu je potrebné, aby ste dôsledne dodržiavali elektroinštalačné bezpečnostné predpisy platné na celoštátnej a regionálnej úrovni. Zariadenie nesmie byť vystavené kvapkajúcim ani striekajúcim kvapalinám a na zariadenie sa nesmú umiestňovať žiadne predmety naplnené kvapalinou, napríklad vázy. V nezvyčajných podmienkach, napríklad na vrchole hory, na kovovej veži alebo v lese, zabezpečte vstupný otvor zariadenia ochranou proti prepätiu. VÝSTRAHA: S cieľom znížiť riziko požiaru vymeňte poistku len sa poistku rovnakého typu a parametrov.

Batéria


Zabráňte prehltnutiu batérie. Nebezpečenstvo chemických popálenín! Tento produkt obsahuje plochú/gombíkovú batériu. V prípade prehltnutia plochej/gombíkovej batérie môže dôjsť k vážnym vnútorným popáleninám už v priebehu 2 hodín, ktoré môžu spôsobiť smrť. Nové a použité batérie uchovajte mimo dosahu detí. Ak sa pričinok batérie nedá bezpečne zavrieť, prestaňte produkt používať a uchovajte ho mimo dosahu detí. Ak si myslíte, že mohlo dôjsť k

prehlnutiu batérií alebo ich vloženíu do akejkoľvek časti tela, okamžite vyhľadajte lekársku pomoc. **VÝSTRAHA:** Riziko výbuchu v prípade výmeny batérie za nesprávny typ. Použité batérie zlikvidujte podľa príslušných pokynov. Pri nevhodnej výmene batérie za nesprávny typ sa môže deaktivovať bezpečnostný prvok (napríklad pri niektorých typoch lítiových batérií). Batériu nekladajte do ohňa alebo horúcej rúry ani ju mechanicky nedrvte ani nerezte, pretože by to mohlo spôsobiť výbuch. Batériu nenechávajte v prostredí s mimoriadne vysokou teplotou, čo môže viesť k výbuchu alebo úniku horľavých kvapalín alebo plynov. Batériu nevystavujte mimoriadne nízkemu tlaku vzduchu, čo môže viesť k výbuchu alebo úniku horľavých kvapalín alebo plynov. + označuje koncovky s kladnou polaritou v prípade zariadenia, s ktorým sa používa alebo ktoré vytvára jednosmerný prúd. – označuje koncovky so zápornou polaritou v prípade zariadenia, s ktorým sa používa alebo ktoré vytvára jednosmerný prúd.

Predchádzanie požiarom

Na zariadenie sa nesmú umiestňovať žiadne zdroje otvoreného ohňa, napríklad zapálené sviečky. Sériový port na zariadení slúži len na servisné účely.

Prevenia pred horúcimi povrchmi

 **VÝSTRAHA:** Horúce súčasti! Pri manipulácii so súčastami si môžete popáliť prsty. Pred manipuláciou so súčastami počkajte pol hodiny po vypnutí zariadenia. Táto nálepka indikuje, že označená položka môže byť horúca a mali by ste sa jej dotýkať opatrne. Zariadenie s touto nálepkou je určené na inštaláciu na mieste s obmedzeným prístupom, prístup je možné udeliť len zamestnancom servisu alebo používateľom, ktorí boli poučení o dôvodoch obmedzenia prístupu na dané miesto a o všetkých bezpečnostných opatreniach, ktoré musia dodržať.

Montáž

Zariadenie nainštalujte podľa pokynov v tejto príručke. Aby sa predišlo zraneniu, musí byť zariadenie bezpečne pripevnené k podlahe/stene podľa inštalčných pokynov. Zariadenie nikdy neumiestňujte na nestabilné miesto. Zariadenie môže spadnúť, v dôsledku čoho môže dôjsť k vážnemu zraneniu alebo usmrteniu.

Zdroj napájania

Na napájanie zariadenia sa používa bezpečné veľmi nízke napätie (SELV): Zdroj napájania by mal spĺňať požiadavky obmedzeného zdroja napájania alebo PS2 podľa normy IEC 60950-1 alebo IEC 62368-1. Na napájanie zariadenia sa používa sieťové striedavé napätie: Zariadenie musí byť pripojené k uzemnenej sieťovej zásuvke. Súčasťou výbavy musí byť ľahko dostupné externé zariadenie na odpojenie. Externé zariadenie musí byť vybavené vhodným nadprúdovým ochranným zariadením, ktoré nepresahuje technické parametre budovy. Do elektrickej inštalácie

budovy musí byť zabudovaný sieťový vypínač všetkých pólov. Zaistíte správne zapojenie koncoviek pri pripojení k prívodu striedavého sieťového napájania. Zariadenie bolo navrhnuté tak, aby sa v prípade potreby dalo upraviť na pripojenie k IT systému rozvodu napájania.

Osvetlenie bielym svetlom (ak je podporované)

Tento výrobok môže vyžarovať nebezpečné optické žiarenie. **NEPOZERAJTE** sa do zapnutého zdroja svetla. Môže byť škodlivý pre oči. Pri montáži, inštalácii alebo údržbe kamery používajte vhodnú ochranu zraku alebo **NEZAPÍNAJTE** biele svetlo.

Preprava

Pri preprave ponechajte zariadenie v pôvodnom alebo podobnom balení.

Zabezpečenie systému

Inštalujúca osoba a používateľ sú zodpovední za heslo konfiguráciu zabezpečenia.

Údržba

Ak produkt nepracuje správne, obráťte sa na predajcu alebo na najbližšie servisné stredisko. Nepreberáme žiadnu zodpovednosť za problémy spôsobené neoprávnenou opravou alebo údržbou. Niekoľko komponentov zariadenia (napr. elektrolytický kondenzátor) si vyžaduje pravidelnú výmenu. Priemerná doba životnosti sa líši, preto odporúčame pravidelnú kontrolu. So žiadosťou o ďalšie podrobnosti sa obráťte na predajcu.

Čistenie

Pri čistení vnútorných a vonkajších povrchov krytu zariadenia používajte jemnú a suchú handričku. Nepoužívajte alkalické čistiace prostriedky.

Prevádzkové prostredie

Pri používaní akéhokoľvek laserového vybavenia zabezpečte, aby šošovka zariadenia nebola vystavená laserovému lúču, inak sa môže vypáliť. Zariadenie **NEVYSTAVUJTE** silnému elektromagnetickému žiareniu ani prašnému prostrediu. V prípade zariadenia určeného iba do interiéru ho umiestnite do suchého a dobre vetraného prostredia. Šošovkou **NEMIERTE** na slnko ani na žiadny iný silný zdroj svetla. Zabezpečte, aby prevádzkové prostredie spĺňalo požiadavky zariadenia. **NEUMIESTŇUJTE** kameru na extrémne horúce, chladné, prašné alebo vlhké miesta a nevystavujte ju silnému elektromagnetickému žiareniu.

Núdzový režim

Ak zo zariadenia vychádza dym, zápach alebo hluk, ihneď vypnite napájanie, odpojte napájací kábel a obráťte sa na servisné stredisko.

Synchronizácia času

Ak lokálny čas nie je synchronizovaný s časom siete, nastavte čas zariadenia pre prvý prístup manuálne. Zobrazte zariadenie vo webovom prehliadači/ klientskom softvéri a prejdite do rozhrania nastavenia času.

Zrkadlenie

Uistite sa, že príliš blízko k objektívu zariadenia nie je žiadny

Pernyataan Kepatuhan Terhadap UE

Produk ini dan—jika ada—aksesori yang disertakan bertanda “CE” dan oleh karena itu memenuhi standar kompatibel Eropa yang disebutkan dalam EMC Directive 2014/30/EU,

LVD Directive 2014/35/EU, RoHS Directive 2011/65/EU, perangkat Wi-Fi: RE Directive 2014/53/EU

2012/19/EU (WEEE directive): Produk yang bertanda simbol ini tidak boleh dibuang sebagai sampah umum yang tidak disortir di wilayah Uni Eropa. Agar dapat didaur ulang sesuai ketentuan, kembalikan produk ini ke toko terdekat saat Anda membeli peralatan



pengganti yang baru, atau buang pada titik pengumpulan yang ditentukan. Untuk informasi lebih lanjut, kunjungi:

www.recyclethis.info



2006/66/EC (ketentuan baterai): Produk ini berisi baterai yang tidak boleh dibuang sebagai sampah umum yang tidak disortir di wilayah Uni Eropa. Lihat dokumentasi produk untuk informasi spesifik tentang baterai.

Baterai ini ditandai dengan simbol ini, yang mungkin disertai huruf untuk menandakan kadmium (Cd), timbal (Pb), atau merkuri (Hg). Agar dapat didaur ulang sesuai ketentuan, kembalikan baterai ke toko atau titik pengumpulan yang ditentukan. Untuk informasi lebih lanjut, kunjungi:

www.recyclethis.info

Petunjuk Keselamatan

Instruksi ini ditujukan untuk memastikan pengguna dapat menggunakan produk dengan benar dan menghindari bahaya atau kerugian materiil.

Undang-Undang dan Peraturan

Perangkat harus digunakan sesuai dengan undang-undang setempat, peraturan keselamatan kelistrikan, dan peraturan terkait pencegahan kebakaran.

Kelistrikan

Selama menggunakan produk ini, Anda harus sepenuhnya mematuhi peraturan keselamatan kelistrikan dari pemerintah. Lindungi peralatan dari tetesan atau cipratan dan jangan menaruh benda berisi cairan, misalnya vas, di atas peralatan. Sediakan penekan lonjakan pada bukaan inlet peralatan dalam kondisi khusus, seperti puncak gunung, menara besi, dan hutan. PERHATIAN: Untuk mengurangi risiko kebakaran, ganti sekering dengan tipe dan rating yang sama saja.

Baterai

Jangan menelan baterai. Bahaya luka bakar akibat bahan kimia! Produk ini menggunakan baterai sel berbentuk koin/kancing. Baterai sel koin/kancing, jika tertelan, dapat

menyebabkan luka bakar internal serius hanya dalam waktu 2 jam dan mengakibatkan kematian. Simpan baterai baru dan lama jauh dari jangkauan anak-anak. Jika kompartemen baterai tidak dapat ditutup sempurna, hentikan penggunaan produk dan jauhkan dari jangkauan anak-anak. Jika Anda curiga baterai telah tertelan atau memasuki bagian tubuh mana pun, segera hubungi dokter. PERHATIAN: Risiko ledakan jika baterai diganti dengan jenis yang salah. Buang baterai bekas sesuai petunjuk. Penggantian baterai yang tidak tepat dengan baterai dari jenis yang salah dapat memengaruhi keamanan (misalnya, untuk beberapa jenis baterai lithium). Jangan membuang baterai ke dalam api atau oven panas, atau menghancurkan atau memotongnya secara mekanis, karena dapat menyebabkan ledakan. Jangan meletakkan baterai di lingkungan yang bersuhu sangat tinggi, karena dapat menyebabkan ledakan atau kebocoran cairan atau gas yang mudah terbakar. Jangan membiarkan baterai terpapar tekanan udara yang sangat rendah, karena dapat menyebabkan ledakan atau kebocoran cairan atau gas yang mudah terbakar. + menandai terminal positif peralatan yang digunakan dengan, atau menghasilkan arus searah. - menandai terminal negatif peralatan yang digunakan dengan, atau menghasilkan arus searah.

Pencegahan Kebakaran

Jangan menempatkan sumber nyala terbuka, misalnya lilin, di atas peralatan. Gunakan port seri peralatan untuk debugging saja.

Pencegahan Permukaan Panas

PERHATIAN: Komponen panas! Jari yang terbakar saat menangani komponen. Tunggu satu setengah jam setelah peralatan dimatikan

sebelum menangani komponen. Stiker ini untuk mengindikasikan bahwa item yang ditandai bisa menjadi panas dan tidak boleh disentuh tanpa waktu pendinginan. Untuk perangkat dengan stiker ini, perangkat ini dimaksudkan untuk pemasangan di lokasi dengan akses terbatas, akses hanya dapat dicapai oleh petugas layanan atau oleh pengguna yang telah diberitahu tentang alasan penerapan pembatasan terhadap lokasi dan tentang segala tindakan pencegahan yang harus diambil.

Pemasangan

Pasang peralatan sesuai petunjuk di dalam manual ini. Untuk mencegah cedera, pasang peralatan ini dengan aman ke lantai/tembok sesuai petunjuk pemasangan. Jangan memasang peralatan ini di lokasi yang tidak stabil. Peralatan bisa jatuh dan menyebabkan cedera serius hingga kematian.

Catu Daya

Perangkat menggunakan daya dari Voltase Ekstra Rendah

Aman (SELV): Sumber daya harus memenuhi ketentuan sumber daya terbatas atau PS2 menurut standar IEC 60950-1 atau IEC 62368-1. Perangkat menggunakan daya dari voltase catu daya listrik AC: Peralatan wajib dihubungkan ke lubang stopkontak listrik yang dibumikan. Lengkapi peralatan dengan perangkat pemutus arus eksternal yang sesuai dan mudah dijangkau. Lengkapi peralatan dengan perangkat perlindungan kelebihan arus eksternal yang sesuai, tidak melampaui spesifikasi gedung. Gunakan saklar listrik semua kutub dalam instalasi kelistrikan gedung. Pastikan sambungan kabel terminal yang akan dihubungkan ke sumber arus AC sudah benar. Peralatan ini dirancang, dan jika perlu, dimodifikasi untuk disambungkan ke sistem distribusi daya IT.

Illuminator Cahaya Putih (Jika didukung)

Radiasi optik yang mungkin berbahaya dikeluarkan oleh produk ini. JANGAN memandang sumber cahaya yang menyala. Dapat membahayakan mata. Kenakan perlindungan mata yang baik atau JANGAN menghidupkan cahaya putih saat Anda merakit, memasang, atau merawat kamera.

Transportasi

Kemas perangkat dalam kemasan aslinya atau yang serupa saat memindahkannya.

Keamanan Sistem

Pemasang dan pengguna bertanggung jawab atas kata sandi dan konfigurasi keamanan.

Pemeliharaan

Jika produk tidak berfungsi dengan baik, hubungi dealer atau pusat servis terdekat. Kami tidak bertanggung jawab atas masalah yang disebabkan oleh perbaikan atau perawatan yang tidak resmi. Beberapa komponen perangkat (mis., kapasitor elektrolitik) harus diganti secara rutin. Masa

pakai rata-rata bervariasi, jadi disarankan melakukan pemeriksaan periodik. Hubungi dealer Anda untuk informasi selengkapnya.

Pembersihan

Gunakan kain yang lembut dan kering saat membersihkan permukaan bagian dalam dan luar dari penutup produk. Jangan menggunakan detergen alkalin.

Lingkungan Penggunaan

Saat ada perangkat laser yang sedang digunakan, pastikan lensa perangkat tidak terpapar sorotan laser, karena bisa terbakar. JANGAN membiarkan perangkat terpapar radiasi elektromagnetik atau lingkungan yang berdebu. Untuk perangkat khusus dalam ruangan, tempatkan dalam ruangan yang kering dan berventilasi baik. JANGAN mengarahkan lensa ke matahari atau cahaya terang lainnya. Pastikan lingkungan tempat beroperasi memenuhi ketentuan perangkat. JANGAN menempatkan kamera di lokasi yang sangat panas, dingin, berdebu, atau lembap, dan jangan paparkan terhadap radiasi elektromagnetik tinggi.

Darurat

Jika muncul asap, bau, atau derau dari perangkat, segera matikan perangkat, cabut kabel daya, lalu hubungi pusat servis.

SINKRONISASI WAKTU

Setel waktu perangkat secara manual untuk akses pertama kali jika waktu setempat tidak sinkron dengan waktu jaringan. Kunjungi perangkat via penelusuran Web/perangkat lunak klien dan buka antarmuka pengaturan waktu.

Refleksi

Pastikan tidak ada permukaan reflektif yang terlalu dekat dengan lensa. Cahaya IR dari perangkat dapat memantul kembali ke lensa dan menyebabkan refleksi.



EU စည်းကမ်းချက် ကိုက်ညီမှုဆိုင်ရာ ကြေညာချက်



ဤထုတ်ကုန်နှင့် - သက်ဆိုင်ပါက - အတူပုံပိုးပေးထားသည့် ပစ္စည်းများကိုလည်း "CE" ဖြင့် အမှတ်အသားလုပ်ထားသည့်အတွက် EMC ညွှန်ကြားချက်

2014/30/EU၊ LVD ညွှန်ကြားချက် 2014/35/EU၊ RoHS

ညွှန်ကြားချက် 2011/65/EU၊ Wi-Fi စက်- RE ညွှန်ကြားချက်

2014/53/EU အောက်တွင် ဖော်ပြထားသော သက်ဆိုင်ရာ

ဥပဒေပစ်နှုန်းများနှင့် ကိုက်ညီပါသည်



2012/19/EU (WEEE ညွှန်ကြားချက်)- ဤသင်္ကေတ ကပ်ထားသည့် ထုတ်ကုန်များကို ဥပဒေပစ်နှုတ်အတွင်း ရောနှောစည်ပင်အမှိုက်အနေဖြင့် စွန့်ပစ်နိုင်ခြင်း မရှိပါ။ သေချာစွာ ရီဆိုင်ကယ်လုပ်ရန်အတွက်

ဤထုတ်ကုန်ပစ္စည်းကို အလားတူ ပစ္စည်းအသစ်တစ်ခု ဝယ်ယူချိန်တွင်

သင့်နယ်ခံ ပစ္စည်းရောင်းချသူထံ ပြန်ပေးပါ သို့မဟုတ် သတ်မှတ်ထားသည့် ပစ္စည်းစုဆောင်းသော နေရာများ၌ စွန့်ပစ်ပါ။ ထပ်မံသိလိုသည်များ ရှိပါက-

www.recyclethis.info



2006/66/EC (ဘက်ထရီဆိုင်ရာ ညွှန်ကြားချက်)-

ဤထုတ်ကုန်ပစ္စည်းတွင် ဥပဒေပစ်နှုတ်အတွင်း ရောနှော စည်ပင်အမှိုက်အနေဖြင့် စွန့်ပစ်နိုင်ခြင်း မရှိသည့် ဘက်ထရီ တစ်လုံး ပါဝင်နေပါသည်။ ဘက်ထရီအတွက်

သီးသန့်အချက် အလက်များကို ထုတ်ကုန်ပစ္စည်းပါ စာရွက်စာတမ်းများ၌ ကြည့်ပါ။ ဤဘက်ထရီကို ကတ်ဒီယမ် (Cd)၊ ခဲ (Pb) သို့မဟုတ် ပြဒါး (Hg)

ဟု ညွှန်ပြမည့် စွန့်ပစ်ခြင်းပါဝင်နိုင်ကြောင်း ဤသင်္ကေတဖြင့် မှတ်သားထားပါသည်။ သေချာစွာ ရီဆိုင်ကယ်လုပ်ရန်အတွက် ဤဘက်ထရီကို

သင့်နယ်ခံ ပစ္စည်း ရောင်းချသူထံ ပြန်ပေးပါ သို့မဟုတ် သတ်မှတ်ထားသည့် စုဆောင်းသော နေရာ၌ စွန့်ပစ်ပါ။ ထပ်မံသိလိုသည်များ ရှိပါက-

www.recyclethis.info

ဘေးကင်းလုံခြုံရေးဆိုင်ရာ ညွှန်ကြားချက်

ဤလမ်းညွှန်ချက်များသည် သုံးစွဲသူအနေဖြင့် ကုန်ပစ္စည်းကို မှန်ကန်စွာ သုံးစွဲပြီး ဘေးအန္တရာယ်နှင့် ပိုင်ဆိုင်မှု ဆုံးရှုံးခြင်းများကို ကာကွယ်နိုင်ရန် အာမခံချက်ရှိစေရန် ရည်ရွယ်သည်။

ဥပဒေများနှင့် လုပ်ထုံးလုပ်နည်းများ

ကိရိယာကို ဒေသဆိုင်ရာ ဥပဒေများ၊ လျှပ်စစ်ပစ္စည်း ဘေးကင်းလုံခြုံမှု စည်းမျဉ်းစည်းကမ်းများ နှင့် မီးဘေး ကာကွယ်ရေး စည်းမျဉ်းစည်းကမ်းများနှင့် အညီ သုံးစွဲရမည်။

လျှပ်စစ်ဓာတ်အား

ဤထုတ်ကုန်ပစ္စည်းအား အသုံးပြုရာတွင် နိုင်ငံနှင့် ဒေသတွင်းရှိ လျှပ်စစ်ဆိုင်ရာ ဘေးကင်းလုံခြုံရေး စည်းမျဉ်းအများကို အပြည့်အဝ လိုက်နာဆောင်ရွက်ရမည် ဖြစ်သည်။ ဤကိရိယာကို ရေစိမ့်ကျခြင်း သို့မဟုတ် ဖျန်းပတ်ခြင်းဖြန်းပတ်ခြင်းများနှင့် မထိစေရန်နှင့် ပန်းအိုးများ ကဲ့သို့သော အရည်ဖြည့်ထားသည့် ပစ္စည်းများကို ကိရိယာအပေါ်တွင် မတင်ရပါ။ တောင်ထိပ်၊ သံတာဝါတိုင်နှင့် သစ်တောများကဲ့သို့ အထူး အခြေအနေများအောက်တွင် ကိရိယာ၏ အဝင်ပေါက်တွင် ရုတ်တရက် လျှပ်ရှားမှု အထိန်းကို ထည့်ပေးပါ။ သတိပြုရန်- မီးလောင်ကျွမ်းမှု အန္တရာယ်ကို လျော့ချရန်အတွက် အမျိုးအစားနှင့် အဆင့်အတန်း တူညီသည့် ဖျူးစ်ဖြင့်သာ လဲလှယ်ပေးရမည်။

ဘက်ထရီ

ဘက်ထရီကို မြို့ရပ်ခြင်း မပြုပါနှင့်။ ဓာတုလောင်ကျွမ်းမှု အန္တရာယ် ဖြစ်နိုင်သည်။ ဤကိရိယာတွင် ငွေအကြွေစေ့/ကြယ်သီးပုံ ဆဲလ်ဘက်ထရီတစ်လုံး ပါရှိသည်။ ငွေအကြွေစေ့/ကြယ်သီးပုံ ဆဲလ်ဘက်ထရီကို မြို့ရပ်ခြင်း အချိန် ၂ နာရီအတွင်း ပြင်းထန်သော ခန္ဓာကိုယ်တွင်း ဓာတုလောင်ကျွမ်းမှုများ ဖြစ်စေနိုင်ပြီး သေဆုံးသည်အထိ ဖြစ်နိုင်ပါသည်။ ဘက်ထရီ အသစ်များ၊ သုံးပြီးသားများကို ကလေးများနှင့် ဝေးရာတွင် ထားပါ။ ဘက်ထရီအခန်း သေချာမပိတ်ပါက ထိုကိရိယာကို ဆက်မသုံးဘဲ ကလေးများနှင့် ဝေးရာတွင် ထားပါ။ ဘက်ထရီကို မြို့ရပ်ခြင်းသည် သို့မဟုတ် ခန္ဓာကိုယ်တွင်း နေရာတစ်နေရာသို့ ဝင်သွားသည်ဟု ထင်ပါက ဆေးကုသမှု ချက်ချင်းခံယူပါ။ သတိပြုရန်- မှန်ကန်မှုမရှိသော ဘက်ထရီအမျိုးအစားဖြင့် လဲမိပါက ပေါက်ကွဲမှုဖြစ်နိုင်သည်။ အသုံးပြုပြီး ဘက်ထရီများကို လမ်းညွှန်ချက်များနှင့်အညီ စွန့်ပစ်ပါ။ ဘက်ထရီကို ပုံစံမမှန်ဘဲ မှားယွင်းသော အမျိုးအစားတစ်ခုဖြင့် အသစ်လဲခဲ့ပါက safeguard ပျက်စီးနိုင်သည် (ဥပမာအားဖြင့် အချို့သော လစ်သီယမ် ဘက်ထရီအမျိုးအစားများတွင်)။ ဘက်ထရီကို ပေါက်ကွဲမှု ဖြစ်ပေါ်စေနိုင်သည့် မီးအတွင်းသို့၊ သို့မဟုတ် မီးဖိုအတွင်း၊ သို့မဟုတ် စက်ပစ္စည်းသုံး ထုခြေခြင်း၊ သို့မဟုတ် ဖြတ်တောက်ခြင်း ဖြင့် မစွန့်ပစ်ပါနှင့်။ ဘက်ထရီကို အလွန်အမင်း မြင့်မားသည့် အပူချိန်ရှိသည့် ပတ်ဝန်းကျင်တွင် မထားပါနှင့်။ ပေါက်ကွဲမှု ဖြစ်နိုင်သည် သို့မဟုတ် မီးလောင်လွယ်သည့် အရည် သို့မဟုတ် ဓာတ်ငွေ့များ ထွက်လာနိုင်သည်။ ဤဘက်ထရီကို အလွန်နိမ့်သည့် လေဖိအားနှင့် ထိတွေ့ခြင်း မရှိစေရ။ ပေါက်ကွဲမှု ဖြစ်နိုင်သည် သို့မဟုတ် မီးလောင်လွယ်သည့် အရည် သို့မဟုတ် ဓာတ်ငွေ့များ ထွက်လာနိုင်သည်။ + တိုက်ရိုက်လျှပ်စီးကြောင်းနှင့် အသုံးပြုသော သို့မဟုတ် တိုက်ရိုက်လျှပ်စီးကြောင်း ထွက်သော ကိရိယာ၏ အပေါင်းငုတ်(များ)ကို ခွဲခြားမှတ်သားပါ။ - တိုက်ရိုက်လျှပ်စီးကြောင်းနှင့် အသုံးပြုသော သို့မဟုတ် တိုက်ရိုက်လျှပ်စီးကြောင်း ထွက်သော ကိရိယာ၏ အနှုတ်ငုတ်(များ)ကို ခွဲခြားမှတ်သားပါ။

မီးဘေး ကာကွယ်တားဆီးရေး

မီးထွန်းထားသည့် ဖယောင်းတိုင်များ ကဲ့သို့သော အကာအကွယ်မရှိသည့် မီးအရင်းအမြစ်များကို ကိရိယာအပေါ်တွင် မထားရပါ။ ကိရိယာ၏ စီရိယယ် ဆက်သွယ်မှု သည် အမှားပြင်ရန်အတွက်သာ အသုံးပြုသည်။

ပူသောမျက်နှာပြင် ကာကွယ်ခြင်း



သတိပြုရန်- ပူသော အစိတ်အပိုင်းများ အစိတ်အပိုင်းများ ကိုင်တွယ်စဉ် အပူလောင်သော လက်ချောင်းများ အစိတ်အပိုင်းများကို ကိုင်တွယ်ခြင်းမပြုမီ

ခလုတ်ကို ပိတ်ပြီး နာရီဝက် စောင့်ပါ။ ဤတပ်ခွာသည် ပူနိုင်သော ပစ္စည်းကို သတ်မှတ်ပြထားပြီး သတိမထားပဲ မကိုင်တွယ်ရပါ။ ဤကပ်ခွာပါသော ကိရိယာအတွက် ကိရိယာကို သတ်မှတ်ထားသော နေရာတွင်သာ တပ်ဆင်ရမည်။ ဝန်ဆောင်မှု ပေးသော ပုဂ္ဂိုလ်များ သို့မဟုတ် ကန့်သတ်ချက်၏ အကြောင်းရင်းများကို အသိပေးထားသော သုံးစွဲသူသာ လက်လှမ်းမီ ကိုင်တွယ်နိုင်ခြင်းသည် နေရာ နှင့် မည်သည့် ကြိုတင် ပြင်ဆင်မှု ပြုလုပ်မည်ဆိုသည့်အပေါ်တွင် သက်ဆိုင်သည်။

တပ်ဆင်ခြင်း

ဤကိရိယာကို ဤလမ်းညွှန်ပါ လမ်းညွှန်ချက်များနှင့်အညီ တပ်ဆင်ပါ။ ဒဏ်ရာအနာတရ မဖြစ်စေရန်အတွက် ဤကိရိယာကို ကြမ်းပြင်/နံရံတွင် တပ်ဆင်ရန် လမ်းညွှန်ချက်များနှင့်အညီ ခိုင်မြဲစွာ တပ်ဆင်ထားရမည်။ ကိရိယာကို မတည်ငြိမ်သော နေရာများတွင် မည်သည့်အခါမျှ တပ်ဆင်ခြင်း မပြုရပါ။ ဤကိရိယာ ပြုတ်ကျ၍ အနာတရ ပြင်းထန်စွာဖြစ်စေ၊ အသက်ဆုံးရှုံးသည်အထိ ဖြစ်စေ အန္တရာယ် ဖြစ်စေနိုင်သည်။

ပါဝါ ပေးသွင်းမှု

Safety Extra-Low Voltage(SELV) ဖြင့်ပါဝါပေးထားသည်- ပါဝါ ရင်းမြစ်သည် ကန့်သတ်ထားသော ပါဝါ အရင်းအမြစ် သို့မဟုတ် IEC 60950-1 သို့မဟုတ် IEC 62368-1 စံချိန်စံညွှန်းနှင့် အညီ PS2 လိုအပ်ချက်များကို ပြည့်မီရမည်။ စက်ကို AC ပင်မထောက်ပံ့ပို့အားဖြင့် ပါဝါပေးထားပါသည်- ဤကိရိယာကို မြေချကြိုးတပ်ဆင်ထားသည့် မိန်းပလပ်ပေါက်နှင့် ချိတ်ဆက်ထားရမည်။ သင့်လျော်သော အလွယ်တကူ ရရှိနိုင်သည့် အဆက်အသွယ် ဖြတ်တောက်နိုင်သည့်စက်ကို ကိရိယာ၏ အပြင်ဘက်တွင် တပ်ဆင်ရပါမည်။ သင့်လျော်သော လျှပ်စစ်ပိုလျှံစီးမှု ကာကွယ်သည့်စက်ကို ကိရိယာ၏ အပြင်ဘက်တွင် တပ်ဆင်ရပါမည်။ အဆောက်အအုံသတ်မှတ်ချက်ထက် မပိုရပါ။ အဆောက်အအုံ၏ လျှပ်စစ်ဆက်သွယ်မှု စနစ်အတွင်း၌ ငုတ်အားလုံးပါသော မိန်းခလုတ် တစ်ခုကို တပ်ဆင်ထားရမည်။ AC မိန်းဓာတ်အားသို့ ချိတ်ဆက်သည့် ငုတ်များ ချိတ်ဆက်ပုံ မှန်ကန်စေရန် လုပ်ဆောင်ပါ။ လိုအပ်ပါက IT ပါဝါဖြန့်ချိမှု စနစ်တစ်ခုနှင့် ချိတ်ဆက်နိုင်ရန်အတွက် ဤကိရိယာကို ဒီဇိုင်းထုတ်ထားခြင်း ဖြစ်သည်။

အဖြူရောင် မီး ရောင်ပြန် (ပုံပိုးမှုရှိပါက)

ဤကုန်ပစ္စည်းမှ ဘေးအန္တရာယ် ရှိနိုင်သော အလင်းဆိုင်ရာ ရောင်ခြည်များ ထုတ်လွှတ်သည်။ လုပ်ငန်းလုပ်ဆောင်နေသော မီးအရင်းအမြစ်ကို စိုက်မကြည့်ပါနှင့်။ မျက်စိများကို ထိခိုက်နိုင်သည်။ သင့်တော်သော မျက်စိကာကွယ်မှုကို ဝတ်ဆင်ပါ သို့မဟုတ် ပစ္စည်းများ စီထားခြင်း၊ တပ်ဆင်ခြင်း သို့မဟုတ် ပြုပြင်ထိန်းသိမ်းခြင်း လုပ်သည့်အခါ အဖြူရောင်မီးကို ဖွင့်မထားပါနှင့်။

သယ်ယူပို့ဆောင်ရေး

ကိရိယာကို သယ်ယူပို့ဆောင်ရာတွင် မူလ သို့မဟုတ် အလားတူ ထုပ်ပိုးမှုအတိုင်း ထားပါ။

စနစ် လုံခြုံရေး

တပ်ဆင်သူနှင့် သုံးစွဲသူတို့သည် စကားပုဂ္ဂိုလ်များနှင့် လုံခြုံရေး ကိန်းဂဏန်းများအတွက် တာဝန်ခံရမည်။

ပြုပြင်ထိန်းသိမ်းခြင်း

ကိရိယာ သေချာအလုပ်မလုပ်ပါက အရောင်းဆိုင် သို့မဟုတ် အနီးဆုံး ကြံ့ခိုင်မှုစစ်ဆေးရေး စင်တာသို့ ဆက်သွယ်ပါ။ ခွင့်ပြုချက်မရှိဘဲ ပြင်ဆင်ခြင်း သို့မဟုတ် ထိန်းသိမ်းခြင်းပြင်ဆင်ခြင်းကြောင့် ဖြစ်ပွားရသည့်

မည်သည့်ပြဿနာအတွက်မဆို လုံးဝတာဝန်ယူမည် မဟုတ်ပါ။ အချို့သော ကိရိယာ အစိတ်အပိုင်းများ (ဥပမာ- အီလက်ထရိုလိုက်တစ် စွမ်းရည်ထိန်း

ပစ္စည်း) သည် ပုံမှန် လဲလှယ်မှု လုပ်ရန် လိုအပ်သည်။ ဖျမ်းမှု သက်တမ်း ကွာခြားမှု ရှိသဖြင့် စစ်ဆေးရန် အကြံပြုသည်။ အသေးစိတ်အတွက် သင့်အား ပစ္စည်းရောင်းပေးသူအား ဆက်သွယ်ပါ။

သန့်ရှင်းခြင်း

ကုန်ပစ္စည်း အဖုံး၏ အတွင်းနှင့် အပြင်ကို သန့်ရှင်းသည့်အခါတွင် ကျေးဇူးပြု၍ ပျော့ပျောင်းခြောက်သွေ့သော အဝတ်စကို အသုံးပြုပါ။ အယ်ကာလိုင်း ဆပ်ပြာမှုန့်များ မသုံးပါနှင့်။

အသုံးပြုသည့် ပတ်ဝန်းကျင်

လေဆာ ကိရိယာ တစ်စုံတစ်ခုကို အသုံးပြုနေပါက ကိရိယာ၏ မှန်ဘီလူးများ

လေဆာရောင်ခြည် မထိမိစေရန် သတိပြုပါ သို့မဟုတ်ပါက လောင်ကျွမ်းသွားနိုင်သည်။ ကိရိယာကို လျှပ်စစ်သံလိုက် ရောင်ခြည် သို့မဟုတ် ဖိုတိုသော ပတ်ဝန်းကျင်များနှင့် မထိတွေ့စေပါနှင့်။

အဆောက်အဦအတွင်းအတွက်သာ ကိရိယာများကို ခြောက်သွေ့ပြီး လေဝင်လေထွက်ကောင်းသော ပတ်ဝန်းကျင်တွင် ထားရှိပါ။ မှန်ဘီလူးများကို နေ သို့မဟုတ် တောက်ပသော အလင်းရောင်ရှိရာသို့ မချိန်ပါနှင့်။ အလွန် ပူခြင်း၊ အေးခြင်း၊ ဖိုတိုခြင်း၊ သို့မဟုတ် စိုထိုင်းသော နေရာများ တွင် ကင်မရာကို မထားပါနှင့် ထိုပြင် လျှပ်စစ်သံလိုက် ရောင်ခြည်မြင့်များနှင့် မထိတွေ့ပါ စေနှင့်။

အရေးပေါ်

ကိရိယာမှ မီးခိုးငွေ့၊ ညှော်နှံစသည့် အနံ့၊ ဆူညံသံများ ထွက်လာလျှင် ပါဝါ ချက်ချင်းပိတ်၊ ပါဝါကေဘယ် ဖြတ်ပြီး ပြုပြင်ရေးစင်တာသို့ ဆက်သွယ်ပါ။

အချိန် ညှိခြင်း

ဒေသစံတော်ချိန်သည် ကွန်ရက်နှင့် ချိန်ညှိထားခြင်း မရှိပါက ပထမဆုံးအကြိမ်တွင် ကိရိယာ၏ အချိန်ကို ကိုယ်တိုင်ထည့်သွင်းပါ။ ကိရိယာကို ဝက်ဘ်ဆိုက်/ကလိုင်းရင့် ဆော့ဝဲမှတစ်ဆင့် ဝင်ရောက်ပြီး အချိန် သတ်မှတ်ချက် အင်တာဖေ့စ်ကို သွားပါ။

ရောင်ပြန်ခြင်း

မည်သည့် ရောင်ပြန် မျက်နှာပြင်မျှ ကိရိယာ၏ အနီးအနား နီးကပ်လွန်းခြင်း မရှိရပါ။ ကိရိယာမှ IR မီးသည် မှန်ဘီလူးများပေါ်သို့ အရောင်ဟပ်ပြီး ရောင်ပြန်ခြင်းကို ဖြစ်စေနိုင်သည်။



AB Uygunluk Beyanı



Bu ürün ve - varsa - sağlanan aksesuarlar da "CE" ile işaretlenmiştir ve bu nedenle EMC Direktifi 2014/30/EU, LVD Direktifi 2014/35/EU, RoHS Direktifi 2011/65/EU, Wi-Fi cihazı: RE Direktifi 2014/53/EU altında listelenen geçerli uyumlaştırılmış Avrupa standartlarına uygundur.



2012/19 / EU (WEEE direktifi): Bu simgeyle işaretlenen ürünler, Avrupa Birliği'nde ayrıştırılmamış belediye atığı olarak yok edilemez. Doğru geri dönüşüm için, eşdeğer yeni ekipman satın aldıktan sonra bu ürünü

yerel tedarikçinize iade edin veya belirtilen toplama noktalarında imha edin. Daha fazla bilgi için bkz:

www.recyclethis.info



2006/66/EC (pil direktifi): Bu ürün, Avrupa Birliği'nde ayrıştırılmamış belediye atığı olarak imha edilemeyen bir pil içerir. Özel pil bilgileri için ürün belgelerine bakın. Pil, kadmiyum (Cd), kurşun (Pb) veya cıva (Hg) içerebildiğini

belirtmek bu simgeyle işaretlenmiştir. Doğru geri dönüşüm için pili tedarikçinize veya belirlenmiş bir toplama noktasına iade edin. Daha fazla bilgi için bkz: www.recyclethis.info

Güvenlik Talimatı

Bu talimatlar ile tehlikeleri veya mal kayıplarını önlemek için kullanıcının ürünü doğru şekilde kullanabilmesinin

sağlanması amaçlanmıştır.

Yasalar ve Yönetmelikler

Cihaz yerel yasalara, elektrik güvenliği yönetmeliklerine ve yangın önleme yönetmeliklerine uygun şekilde kullanılmalıdır.

Elektrik

Ürünün kullanımında ülkenin ve bölgenin elektrik güvenliği düzenlemelerine kesinlikle uymanız gerekir. Ekipman, damlayan veya sıçrayan sıvılara maruz bırakılmamalı ve ekipmanın üzerine vazo gibi içi sıvı dolu nesnelere konulmamasına dikkat edilmelidir. Dağ tepesi, demir kule ve orman gibi özel koşullarda ekipmanın giriş açıklığında aşırı gerilim koruyucu sağlayın. DİKKAT: Yangın riskini azaltmak için, sadece aynı tip ve değerinde sigorta ile değiştirin.

Pil

Pili yutmayın. Kimyasal yanık tehlikesi! Bu ürün düğme pil içerir. Düğme pil yutulursa, yalnızca 2 saat içinde ciddi iç yanıklara ve ölüme neden olabilir. Yeni ve kullanılmış pilleri çocuklardan uzak tutun. Pil bölmesi güvenli bir şekilde kapanmıyorsa ürünü kullanmayı bırakın ve çocuklardan uzak tutun. Pillerin yutulmuş veya vücudun herhangi bir yerine yerleştirilmiş olabileceğini düşünüyorsanız, derhal tıbbi yardım alın. DİKKAT: Pil yanlış bir türle değiştirildiğinde patlama riski. Bitmiş pilleri yönetmeliklere göre atın. Pilin yanlış türde bir pille uygun olmayan şekilde değiştirilmesi korumayı geçersiz hale getirebilir (örneğin, bazı lityum pil

türleri). Pili ateşe veya sıcak fırına atmayın veya pili mekanik olarak patlayabilecek şekilde ezmeyin veya kesmeyin. Pili, patlamaya veya yanıcı sıvı veya gaz sızıntısına neden olabilecek aşırı yüksek sıcaklıktaki bir ortamda bırakmayın. Pili, patlamaya veya yanıcı sıvı veya gaz sızıntısına neden olabilecek aşırı düşük hava basıncına maruz bırakmayın. + simgesi kullanılan veya doğru akım üreten ekipmanın pozitif terminallerini belirtir. - simgesi kullanılan veya doğru akım üreten ekipmanın negatif terminallerini belirtir.

Yangın Önleme

Ekipmanın üzerine yanan mum gibi açık alev kaynakları konulmamalıdır. Ekipmanın seri portu sadece hata ayıklama için kullanılır.

Sıcak Yüzey Önleme

**WARNING
HOT SURFACE
DO NOT TOUCH**

DİKKAT: Sıcak parçalar! Parçaları tutduğunuzda parmaklarınız yanabilir. Kapattıktan sonra parçaları tutmadan önce bir buçuk saat bekleyin. Bu çıkartma, işaretli parçanın sıcak olabileceğini ve dikkat edilmeden dokunulmaması gerektiğini belirtmektedir. Bu çıkartmaya sahip cihaz için, bu cihaz sınırlı bir erişim konumuna kurulum için tasarlanmıştır, sadece servis personeli veya konuma uygulanan kısıtlamaların nedenleri ve alınması gereken önlemler hakkında bilgilendirilmiş kullanıcılar tarafından erişim sağlanabilir.

Kurulum

Ekipmanı bu kılavuzdaki talimatlara göre kurun. Yaralanmaları önlemek için bu ekipman kurulum talimatlarına göre zemine/duvara güvenli bir şekilde takılmalıdır. Ekipmanı asla sağlam olmayan bir yere yerleştirmeyin. Ekipmanın düşmesi ciddi kişisel yaralanmalara veya ölüme neden olabilir.

Güç Kaynağı

Çok Düşük Güvenlik Gerilimi (SELV) ile güç verilen cihaz: Güç kaynağı, IEC 60950-1 veya IEC 62368-1 standardına göre sınırlı güç kaynağı veya PS2 gereksinimlerini karşılamalıdır. AC şebeke kaynağı gerilimiyle güç verilen cihaz: Ekipman topraklı bir elektrik prizine takılmalıdır. Ekipmanın dışında, kolayca erişilebilen uygun bir bağlantı kesme cihazı bulunacaktır. Binanın teknik özelliklerini aşmayan uygun bir aşırı akım koruyucu cihaz, ekipmanın dışına eklenecektir. Binanın elektrik tesisatına tümü kutuplu bir şebeke anahtarı dâhil edilmelidir. AC şebeke kaynağına bağlantı için terminallerin doğru kablo tesisatına sahip olduğundan emin olun. Ekipman gerektiğinde BT güç dağıtım sistemine bağlanmak üzere değiştirilmiştir.

Beyaz Işıklı Aydınlatıcı (Destekleniyorsa)

Bu üründen muhtemel tehlikeli optik ışınım yayılabilir. Yanan ışık kaynağına doğrudan BAKMAYIN. Gözleriniz için zararlı olabilir. Uygun göz koruyucu kullanın veya kamerayı takarken, kurarken ya da kameraya bakım yaparken beyaz ışığı AÇMAYIN.

Ulaşım

Cihazı taşıırken orijinal ambalajının veya benzer bir ambalajın içerisine koyun.

Sistem Güvenliği

Kurulumcu ve kullanıcı, parola ve güvenlik yapılandırmasından sorumludur.

Bakım

Ürün düzgün şekilde çalışmıyorsa lütfen bayiinizle veya en yakın servis merkeziyle iletişime geçin. Yetkisiz onarım veya bakımdan kaynaklanan sorunlar için herhangi bir sorumluluk kabul etmeyiz. Cihazın birkaç parçası (ör. Elektrolitik kapasitör) düzenli olarak değiştirilmelidir. Ortalama parça ömrü değişiklik göstermektedir bu nedenle periyodik kontrol önerilmektedir. Ayrıntılar için satıcınızla iletişime geçin.

Temizleme

Ürün kapağının iç ve dış yüzeylerini temizlerken yumuşak ve kuru bir bez kullanın. Alkalin deterjanlar kullanmayın.

Kullanma Ortamı

Herhangi bir lazer ekipmanı kullanılırken cihaz merceğinin, lazer ışınına maruz kalmadığından emin olun aksi takdirde yanabilir. Cihazı yüksek elektromanyetik radyasyona sahip veya tozlu ortamlarda BULUNDURMAYIN. Yalnızca iç mekânlarda kullanıma yönelik cihazları kuru ve iyi havalandırılan bir ortama yerleştirin. Lensi, güneşe veya herhangi bir parlak ışığa doğru tutmayın. Çalışma ortamının cihazın gereksinimlerini karşıladığından emin olun. Kamerayı aşırı sıcak, soğuk, tozlu veya nemli konumlara YERLEŞTİRMEYİN ve yüksek elektromanyetik radyasyona maruz bırakmayın.

Acil Durum

Cihazdan duman, koku veya ses geliyorsa hemen gücü kapatarak güç kablosunun bağlantısını kesin ve servis merkeziyle iletişime geçin.

Saat Senkronizasyonu

Yerel saat, ağin saatiyle senkronize değilse cihaz saatini ilk kez erişimde manuel olarak ayarlayın. Web tarama / istemci yazılımı ile cihaza giderek zaman ayarları arayüzüne girin.

Yansımalar

Cihazın lensine çok yakın bir yansıtıcı yüzey olmadığından emin olun. Cihazdan gelen IR ışığı, lensin içine geri yansiyabilir ve bu durum görüntüde yansımaya neden olur.

Соответствие стандартам ЕС



Этот продукт и (если применимо) поставляемые аксессуары имеют маркировку CE и соответствуют

Русский

применимым согласованным европейским стандартам, перечисленным в Директиве по электромагнитной совместимости EMC 2014/30/EU, Директиве по низковольтному оборудованию LVD 2014/35/EU и Директиве по ограничению использования опасных веществ RoHS 2011/65/EU, а устройство Wi-Fi соответствует Директиве по радиооборудованию 2014/53/EU RE.



ДИРЕКТИВА WEEE 2012/19/EU (по утилизации отходов электрического и электронного оборудования): продукты, отмеченные этим символом, запрещено утилизировать в Европейском союзе в

качестве несортированных муниципальных отходов. Для надлежащей переработки возвратите этот продукт местному поставщику после покупки эквивалентного нового оборудования или утилизируйте его в предназначенных для этого пунктах сбора отходов. Для получения дополнительной информации см.:

www.recyclethis.info



Директива 2006/66/EC по обращению с батареями: этот продукт содержит батарею, которую запрещено утилизировать в Европейском союзе в качестве несортированных муниципальных

отходов. Для получения точной информации о батарее см. документацию к продукту. Маркировка батареи может включать символы, которые определяют ее химический состав: кадмий (Cd), свинец (Pb) или ртуть (Hg). Для надлежащей утилизации отправьте батарею местному поставщику или утилизируйте ее в специальных пунктах приема отходов. Для получения дополнительной информации см.: www.recyclethis.info

Инструкция по технике безопасности

Настоящие инструкции служат для обеспечения правильного использования продукта во избежание опасных ситуаций и материального ущерба.

Законодательные акты и нормативные документы

При использовании этого устройства необходимо соблюдать местное законодательство, правила безопасной эксплуатации электрооборудования и правила противопожарной безопасности.

Электрооборудование

Эксплуатация данного изделия должна выполняться в строгом соответствии с правилами безопасной эксплуатации электрооборудования, действующими в вашей стране и вашем регионе. Устройство не должно подвергаться воздействию капель и брызг; не допускается ставить на него предметы, наполненные жидкостью, например, вазы с цветами. В особых условиях, таких как горные вершины, металлические башни и лесные массивы, установите ограничитель перенапряжения на входе оборудования. **ПРЕДУПРЕЖДЕНИЕ!** Для снижения риска

возникновения пожара используйте для замены предохранители только соответствующего типа и номинала.

Батарея

Не проглатывайте батарею. Опасность химического ожога! Устройство содержит плоскую круглую батарею.

Если вы случайно проглотите эту батарею, это может вызвать серьезные ожоги внутренних органов и даже привести к летальному исходу через 2 часа. Храните новые и использованные батареи вдали от детей. Если отсек для батареи не закрывается достаточно плотно, прекратите эксплуатацию изделия и ограничьте доступ детей к нему. Если вы думаете, что батарея была проглочена или каким-либо другим образом проникла в организм, немедленно обратитесь к врачу.

ПРЕДУПРЕЖДЕНИЕ! При установке батареи недопустимого типа существует риск взрыва.

Утилизируйте использованные батареи в соответствии с инструкциями. Установка батареи недопустимого типа может создать угрозу для безопасности (например, в случае некоторых типов литиевых батарей). Не бросайте батарею в огонь или горячую печь, не сдавливайте и не разрезайте батарею, поскольку это может привести к взрыву. Нахождение батареи в среде с чрезвычайно высокой температурой может привести к взрыву или к утечке горючей жидкости или газа. Нахождение батареи в среде с чрезвычайно низким давлением воздуха может привести к взрыву или к утечке горючей жидкости или газа. + обозначает положительный контакт оборудования, который должен подключаться к источнику постоянного тока. - обозначает отрицательный контакт оборудования, который должен подключаться к источнику постоянного тока.

Предотвращение пожара

Не ставьте на устройство источники открытого огня, например горящие свечи. Последовательный порт оборудования предназначен только для отладки.

Предотвращение ожога из-за горячей поверхности



ПРЕДУПРЕЖДЕНИЕ! Горячие детали! Опасность ожога пальцев при обращении с деталями. Перед

прикосновением к деталям устройства подождите полчаса после его выключения. Эта наклейка указывает на то, что данный компонент может быть горячим, и его нельзя трогать не предприняв соответствующих мер предосторожности. Устройства с такой наклейкой предназначены для размещения в закрытой зоне, доступ в которую должны иметь только обслуживающие специалисты или пользователи, знающие о причинах ограничения доступа в эту зону и осведомленные о необходимых мерах предосторожности.

Установка

Установите оборудование в соответствии с инструкциями, приведенными в настоящем руководстве. Во избежание травм устройство необходимо надежно закрепить на полу или стене согласно инструкциям по установке. Никогда не ставьте устройство на неустойчивую поверхность. Падение устройства на человека может стать причиной серьезных травм или смерти.

Электропитание

Если питание оборудования осуществляется безопасным сверхнизким напряжением, источник питания должен соответствовать требованиям к ограниченному напряжению питания или требованиям PS2 согласно стандарту IEC 60950-1 или IEC 62368-1. Если питание оборудования осуществляется напряжением от сети переменного тока, оборудование должно быть подключено к заземленной розетке. Снаружи корпуса оборудования необходимо установить подходящее легкодоступное устройство отключения. Снаружи корпуса оборудования необходимо установить подходящее устройство защиты от перегрузки по току, соответствующее техническим характеристикам электросистемы здания. В электросистеме здания должен быть установлен многополюсный сетевой выключатель. Проверьте правильность подключения клемм к сети переменного тока. Оборудование разработано таким образом, чтобы при необходимости его можно было модифицировать для подключения к ИТ-системе распределения электроэнергии.

Устройство подсветки белого света (если поддерживается)

Данное изделие может испускать опасное оптическое излучение. ЗАПРЕЩАЕТСЯ смотреть на работающий источник света. Это может быть вредно для глаз. Во время сборки, установки или обслуживания камеры необходимо носить соответствующие средства защиты глаз и ЗАПРЕЩАЕТСЯ включать белый свет.

Транспортировка

Используйте оригинальную или схожую упаковку для транспортировки устройства.

Безопасность системы

Установщик и пользователь несут ответственность за задание пароля и настройку безопасности.

Техническое обслуживание

Если изделие не работает должным образом, обратитесь к дилеру или к специалистам ближайшего сервисного центра. Компания-изготовитель не несет ответственности за

неисправности, возникшие в результате несанкционированного ремонта или технического обслуживания. Некоторые компоненты устройства (например, электролитические конденсаторы) требуют регулярной замены. Средний срок службы этих компонентов может различаться, поэтому советуем периодически их проверять. Подробности уточняйте у продавца.

Очистка

Для очистки внутренних и внешних поверхностей крышки изделия используйте мягкую сухую ткань. Запрещается использовать щелочные моющие средства.

Требования к рабочей среде

При использовании любого лазерного оборудования убедитесь, что в объектив устройства не попадает лазерный луч, иначе он может выгореть. ЗАПРЕЩАЕТСЯ устанавливать устройство в условиях воздействия сильного электромагнитного излучения или в пыльной среде. Устройство, предназначенное для установки внутри помещений, необходимо размещать в сухой и хорошо проветриваемой среде. Не направляйте объектив устройства на солнце или другие яркие источники света. Убедитесь, что рабочая среда удовлетворяет требованиям надлежащей работы устройства. ЗАПРЕЩАЕТСЯ устанавливать камеру в условиях воздействия экстремально высоких или низких температур, во влажной среде, а также в условиях воздействия сильного электромагнитного излучения.

Кнопка подачи экстренного сигнала тревоги

Если устройство испускает дым, неприятный запах или шум, незамедлительно отключите электропитание, извлеките шнур питания и обратитесь в сервисный центр.

Синхронизация времени

Если локальное время не было синхронизировано с сетевым временем, выполните ручную настройку времени устройства при первом доступе. Зайдите на устройство через веб-браузер/программное обеспечение клиента и перейдите к интерфейсу настройки времени.

Отражение

Убедитесь, что в непосредственной близости от объектива устройства нет отражающей поверхности. Инфракрасный свет от устройства может отразиться обратно в объектив, что приведет к засветке.

Українська

Заява про відповідність стандартам ЄС



Цей виріб та – за необхідності – також комплектуючі, що постачаються, позначені знаком "CE", що означає їх відповідність

застосованим гармонізованим європейським стандартам, що перелічені у Директиві EMC 2014/30/EU, Директиві про низьковольтне обладнання 2014/35/EU, Директиві RoHS 2011/65/EU, пристрій Wi-Fi: у Директиві RE 2014/53/EU



2012/19/EU (Директива з утилізації електричного й електронного обладнання, WEEE): Вироби, помічені цим символом, не можна утилізувати у Європейському Союзі як несортвані побутові відходи. Щоб

забезпечити правильну переробку цього виробу, поверніть його місцевому постачальнику під час придбання аналогічного нового обладнання, або здайте його до спеціально призначеного пункту збирання відходів. Більше інформації див. на сайті:

www.recyclethis.info



2006/66/EC (Директива щодо акумуляторів): Цей виріб містить батарейку, яку не можна утилізувати у Європейському Союзі як несортвані побутові відходи. Інформацію щодо батарейки див. у документації до

виробу. Батарейка помічена цим символом, який може включати букви, які вказують на наявність кадмію (Cd), свинцю (Pb) або ртуті (Hg). Щоб забезпечити правильну переробку батарейки, поверніть її постачальнику або здайте до спеціально призначеного пункту збирання відходів. Більше інформації див. на сайті:

www.recyclethis.info

Вказівки з техніки безпеки

Ці інструкції дозволять користувачу використовувати виріб правильно та уникати небезпеки чи пошкодження майна.

Закони та норми

Пристрій слід використовувати з дотриманням місцевих законів, електротехнічних норм та правил протипожежної безпеки.

Електрика

Під час експлуатації виробу мають суворо дотримуватися державні та місцеві правила електричної безпеки. Не допускайте потрапляння на обладнання крапель чи бризок. Ніколи не ставте на обладнання предмети, наповнені рідиною, як-от вази. Якщо обладнання розміщується на вершині гори, залізної башти чи у лісі, встановіть на вході обмежувач напруги. **ОБЕРЕЖНО!** Для зменшення ризику пожежі замінійте лише на запобіжник такого ж типу і з такими ж характеристиками.

Акумулятор

Не ковтайте батарею. Небезпека хімічних опіків! У цьому виробі встановлена батарейка-таблетка. Якщо проковтнути батарейку-таблетку, це може викликати серйозні внутрішні опіки всього за 2 години й навіть призвести до смерті. Тримайте нові й використані батарейки у недоступному для дітей місці. Якщо відсік для батарейки не закривається належним чином, припиніть користуватися виробом і покладіть його у недоступне для дітей місце. Якщо існує вірогідність того, що батарейку проковтнули або вона знаходиться всередині тіла людини, негайно зверніться по медичну

допомогу. **ОБЕРЕЖНО:** Якщо замінити батарейку на батарейку неправильного типу, виникає ризик вибуху. Утилізуйте використані батарейки згідно з інструкціями. Заміна батарейки на батарейку неправильного типу може зашкодити охороні (наприклад, у разі деяких літєвих батарейок). Не кидайте батарейку у вогонь або у гарячу піч і не розбивайте та не розрізуйте батарейку. Це може призвести до вибуху. Не залишайте батарейку у місцях з дуже високою температурою. Це може призвести до вибуху або витоку вогнебезпечної рідини або газу. Не залишайте батарейку у місцях з дуже низьким атмосферним тиском. Це може призвести до вибуху або витоку вогнебезпечної рідини або газу. + позначає позитивну клему(и) обладнання, що використовує постійний струм чи генерує його. - позначає негативну клему(и) обладнання, що використовує постійний струм чи генерує його.

Запобігання пожежі

Забароняється розміщувати на обладнанні джерела відкритого вогню, як-от свічки, які горять. Послідовний порт обладнання використовується лише для налагодження.

Попередження про гарячі поверхні



ОБЕРЕЖНО: Гарячі деталі! Будьте обережні, щоб не обпекти пальці о деталі. Після вимикання живлення зачекайте півгодини,

перш ніж торкатися цих деталей. Ця етикетка означає, що деталь може нагріватися, і тому її не слід торкатися, не перевірявши. Якщо пристрій має таку етикетку, він призначений для встановлення в місці з обмеженим доступом. Доступ до такого місця може надаватися лише працівникам сервісної служби або користувачам, яким роз'яснено причини таких обмежень і заходи безпеки, яких вони мають вжити.

Установлення

Встановіть обладнання відповідно до вказівок у цій інструкції. Щоб уникнути травм, це обладнання слід надійно закріпити на підлозі/стіні відповідно до вказівок щодо встановлення. Ніколи не розміщуйте обладнання на хиткій поверхні. Обладнання може впасти, що може призвести до серйозної травми або смерті.

Живлення

Якщо пристрій живиться від джерела безпечної наднизької напруги (БННН): Джерело живлення згідно зі стандартом IEC 60950-1 або IEC 62368-1 має відповідати вимогам щодо джерела обмеженої потужності або PS2. Якщо пристрій живиться від електромережі змінного струму: Обладнання слід підключати до електричної розетки із заземленням. Відповідний легкодоступний роз'єднувальний пристрій має бути під'єднаний зовні обладнання. Відповідний захисний пристрій від перенапруги має бути під'єднаний зовні обладнання, без

перевищення технічних характеристик будівлі. Електромережа будівлі має бути обладнана вимикачем живлення з вимиканням усіх полюсів. Виконайте правильне підключення дротів від клем пристрою до розетки живлення змінним струмом. Обладнання спроектоване, а коли це необхідно, змінено для підключення до комп'ютерної системи розподілення живлення.

Джерело білого світла (за наявності)

Даний виріб може здійснювати небезпечне оптичне випромінювання. НЕ ДИВІТЬСЯ на увімкнене джерело світла. Це може нашкодити очам. Використовуйте належні засоби захисту органів зору та НЕ ВМИКАЙТЕ біле світло під час збирання, встановлення або технічного обслуговування камери.

Транспортування

Під час транспортування зберігайте пристрій в оригінальному або подібному пакуванні.

Безпека системи

Відповідальність за встановлення паролів і налаштування безпеки несуть установник та користувач.

Технічне обслуговування

Якщо виріб не працює належним чином, зверніться до вашого дилера або найближчого сервісного центру. Ми не несемо жодної відповідальності за проблеми, які виникли внаслідок недозволеного ремонту чи догляду. Пристрій містить декілька компонентів (напр., електролітичний конденсатор), які необхідно регулярно замінити. Середній термін служби різниться, тому рекомендується регулярно перевіряти ці компоненти. Для додаткової інформації звертайтеся до вашого дилера.

Чищення

Використовуйте м'яку та суху тканину для протирання внутрішніх і зовнішніх поверхонь виробу. Не використовуйте лужні миючі засоби.

Умови експлуатації

Під час використання будь-якого лазерного обладнання слідкуйте за тим, щоб лазерний промінь не потрапляв на об'єкти пристрою, адже це може призвести до його перегорання. НЕ ДОПУСКАЙТЕ потрапляння пристрою в середовище із сильним електромагнітним випромінюванням чи запилене середовище. Цей пристрій призначений виключно для використання у приміщенні, тому розміщуйте його в сухому середовищі з належною вентиляцією. НЕ СПРЯМОВУЙТЕ об'єкти на сонце або інші джерела яскравого світла. Переконайтеся, що середа використання відповідає умовам експлуатації пристрою. НЕ РОЗМІЩУЙТЕ камеру у місцях з надзвичайно високою або низькою температурою та у місцях з високим рівнем запиленості або вологості, та захищайте камеру від сильного електромагнітного випромінювання.

Аварійні ситуації

Якщо пристрій випускає дим, запах або шум, негайно вимкніть живлення, від'єднайте кабель живлення та зверніться в сервісний центр.

Синхронізація часу

Під час першого використання встановіть час пристрою вручну, якщо він не синхронізувався за мережею.

Перейдіть до пристрою за допомогою браузера/клієнтського програмного забезпечення та перейдіть до інтерфейсу налаштувань часу.

Відображення

Переконайтеся, що поблизу з об'єктивом пристрою немає дзеркальних поверхонь. ІЧ світло з пристрою може віддзеркалитись в об'єктив та призвести до відсвічування.



See Far, Go Further

UD27454B