






Network Indoor Station

Installation Guide

Symbol Conventions

The symbols that may be found in this document are defined as follows.

Symbol	Description
 Danger	Indicates a hazardous situation which, if not avoided, will or could result in death or serious injury.
 Caution	Indicates a potentially hazardous situation which, if not avoided, could result in equipment damage, data loss, performance degradation, or unexpected results.
 Note	Provides additional information to emphasize or supplement important points of the main text.

Contents

1 Appearance	1
2 Terminal and Wiring Description	3
2.1 Terminal Description	3
2.2 Wiring Description	3
3 Installation	5
3.1 Wall Mounting Plate	5
3.2 Wall Mounting with Junction Box	5
A. Cables	7

1 Appearance

Front Panel

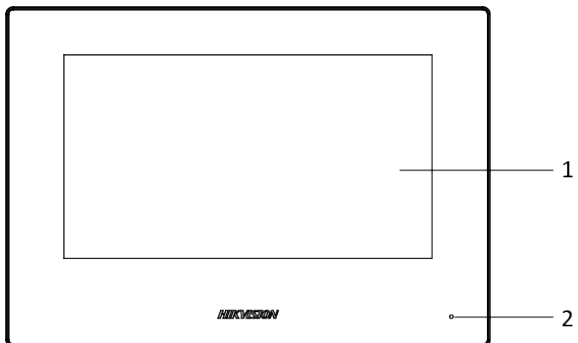


Figure 1-1 Front Panel

Table 1-1 Description

No.	Description
1	Display Screen
2	Microphone

Rear Panel

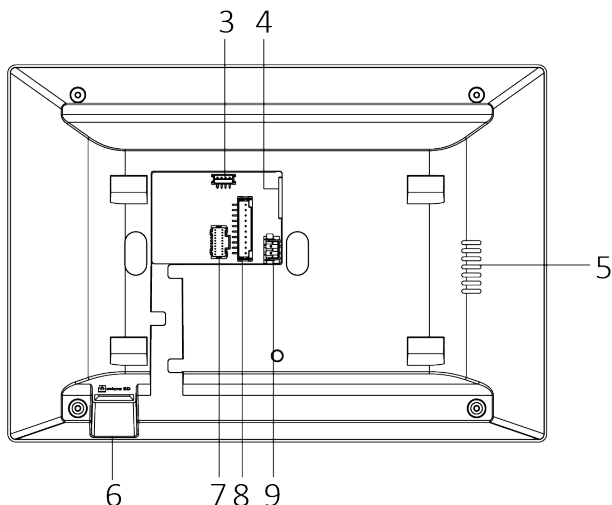


Figure 1-2 Rear Panel

Table 1-2 Description

No.	Description
3	Debugging Port
4	Network Interface
5	Loudspeaker
6	TF Card Slot
7	Alarm Terminal
8	Reserved
9	Network Interface and Power Supply

Note

The debugging port is used for debugging only.

2 Terminal and Wiring Description

2.1 Terminal Description

There are 20 pins in the terminal on the rear panel of the indoor station: 2 RS-485 pins, 5 reserved pins, 4 relay output pins, 8 alarm input pins, and 1 GND pin.

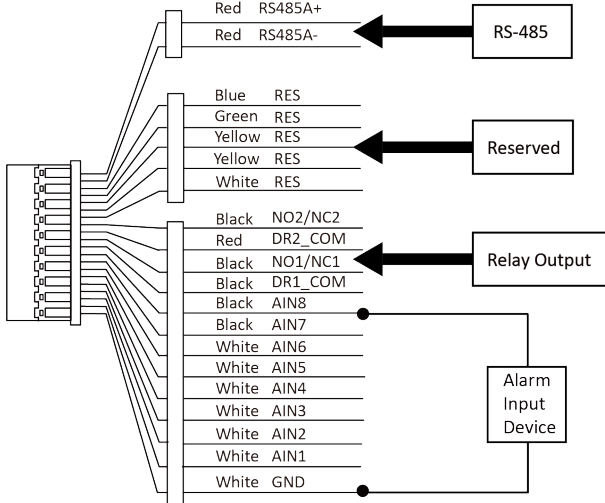


Figure 2-1 Terminal Description

2.2 Wiring Description

Wire the devices with power supply cables as picture shown below.

Door station should be connected to CH6 of the video/audio distributor with two-wire cables.

Indoor Station should be connected to any terminal of CH1 to CH5 of the video/ audio distributor with two-wire cables.

⚠ Caution

Make sure all the related equipment is power-off during the installation.

Network Indoor Station Installation Guide

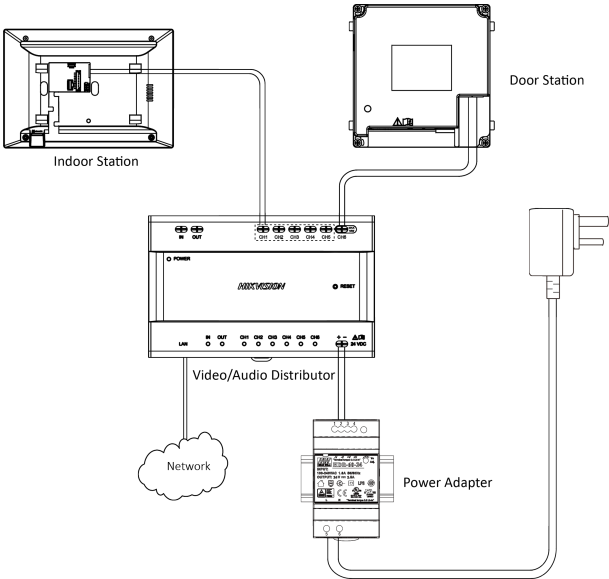


Figure 2-2 Wiring Description

3 Installation

Indoor station supports wall mounting.

3.1 Wall Mounting Plate

The wall mounting plate and the junction box are required to install the indoor station onto the wall.

The dimension of junction box should be 75 mm (width) × 75 mm (length) × 50 mm (depth).

The dimension of wall mounting plate is shown.

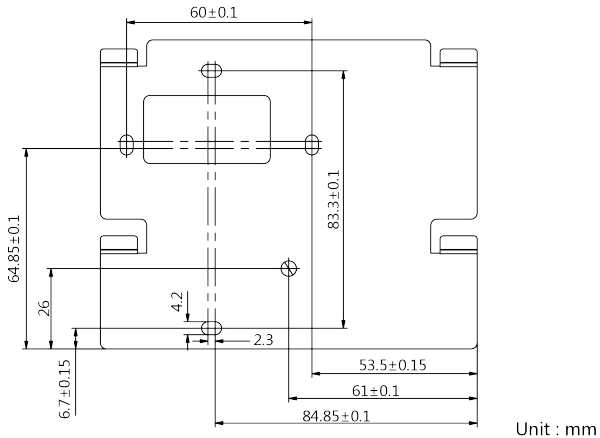


Figure 3-1 Wall Mounting Plate

3.2 Wall Mounting with Junction Box

Before You Start

Note

- Make sure the device in the package is in good condition and all the assembly parts are included.
- The power supply the indoor station supports is 12 VDC. Please make sure your power supply matches your indoor station.
- Make sure all the related equipment is power-off during the installation.
- Check the product specification for the installation environment.

Steps

1. Chisel a hole in the wall. The size of the hole should be 76 mm (width) × 76 mm (length) × 50 mm (depth).
2. Insert the junction box to the hole chiseled on the wall.
3. Fix the wall mounting plate to the junction box with 2 screws.
4. Hook the indoor station to the wall mounting plate tightly by inserting the plate hooks into the slots on the rear panel of the indoor station, during which the lock catch will be locked automatically.

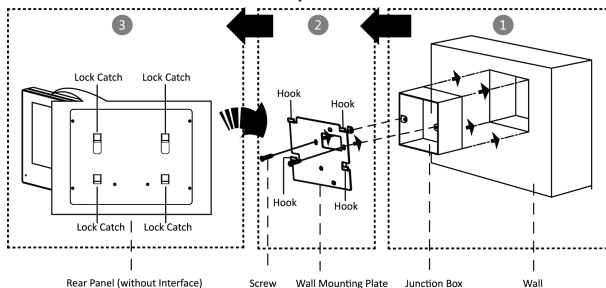


Figure 3-2 Wall Mounting with Junction Box

A. Cables

Table A-1 Wiring Cables

Routing Path	Twisted Pair : 24AWG (0.2mm²)	Twisted Pair : 20AWG (0.5mm²)	Twisted Pair : 18AWG (0.8mm²)	Parallel Cable : ≥ 24AWG (0.22 mm²)
DS-KAD706 - DS-KAD706-S	Transmission Distance ≤ 60 m	Transmission Distance ≤ 60 m	Transmission Distance ≤ 60 m	Transmission Distance ≤ 35 m
DS-KAD706-S - DS-KAD706-S	Transmission Distance ≤ 60 m	Transmission Distance ≤ 60 m	Transmission Distance ≤ 60 m	Transmission Distance ≤ 35 m
DS-KAD706- DS-KD8003- IME2	Transmission Distance ≤ 35 m	Transmission Distance ≤ 60 m	Transmission Distance ≤ 60 m	Transmission Distance ≤ 35 m
DS-KAD706- DS-KH6320- WTE2	Transmission Distance ≤ 35 m	Transmission Distance ≤ 60 m	Transmission Distance ≤ 60 m	Transmission Distance ≤ 35 m

