

AISI316L STAINLESS STEEL CONSTRUCTION  
FOR USE IN HIGHLY CORROSIVE ENVIRONMENTS  
EASY INSTALLATION  
REFINED AND MODERN DESIGN



**SSBK129** MOUNTING BRACKET

## TECHNICAL SPECIFICATIONS

### GENERAL & MECHANICAL

<b>Dimensions</b>	See drawings
<b>Construction</b>	AISI316L Stainless Steel
<b>Mounting</b>	See drawings

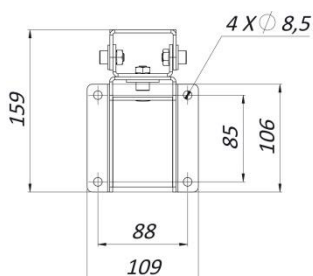
Weight Model	Unit [kg]	Package [kg]
SSBK129	2	3
SSBK129CLN	3	4
SSBK168/SSBK204/SSBK129LC/SSBK168LC	5	6
SSBK254	7	8
SSBK250/SSBK500	8	9
SSPM101/SSPM129	3	4
SSPTM129	1	1,5
SSCM129	2	3
SSPM168/SSPM204/SSPM129LC/SSPM168LC	5	6

### CERTIFICATIONS

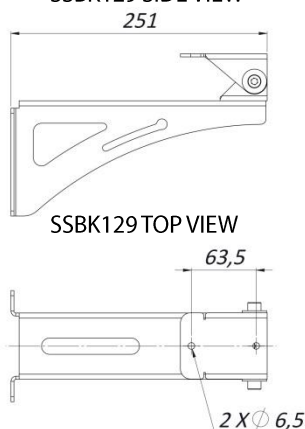
<b>LVD</b>	EN 60950-1:2006 + A11:2009
<b>RoHS</b>	2011/65/EU
<b>WEEE</b>	2012/19/EU

## DIMENSIONS

SSBK129 FRONT VIEW

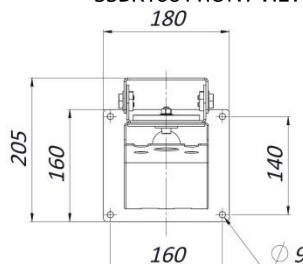


SSBK129 SIDE VIEW

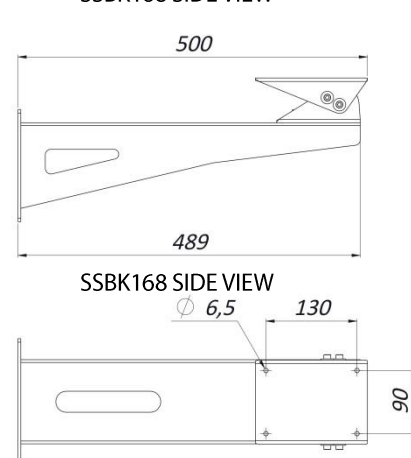


SSBK129 TOP VIEW

SSBK168 FRONT VIEW



SSBK168 SIDE VIEW



SSBK168 SIDE VIEW

Same dimensions apply to SSBK204, SSBK129LC and SSBK168LC

### MOUNTING ACCESSORIES

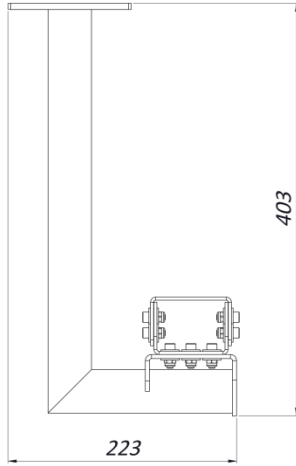
<b>SSBK129</b>	Wall mounting bracket with swivel joint for 129 Series
<b>SSBK129CLN</b>	Ceiling mounting bracket with swivel joint for 129 Series
<b>SSBK168</b>	Wall mounting bracket with swivel joint for 168 Series
<b>SSBK204</b>	Wall mounting bracket with swivel joint for 204 Series
<b>SSBK254</b>	Wall mounting bracket with swivel joint for 254 Series
<b>SSBK129LC</b>	Wall mounting bracket with swivel joint for 129LC Series
<b>SSBK168LC</b>	Wall mounting bracket with swivel joint for 168LC Series
<b>SSBK250</b>	Wall mounting bracket for VSPT250 Series
<b>SSBK250HD</b>	Wall mounting bracket for VSPT250HD Series
<b>SSBK500</b>	Wall mounting bracket for PTZ250 Series

### ADAPTERS

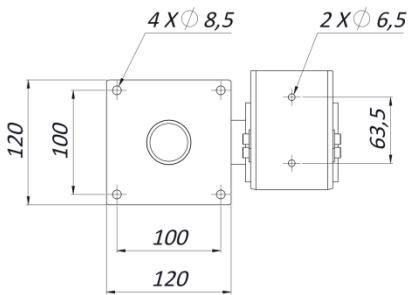
<b>SSPM101</b>	Pole mount adapter for 101W Series
<b>SSPM129</b>	Pole mount adapter for SSBK129
<b>SSPTM129</b>	Pole top mount adapter with swivel joint for 129 Series
<b>SSCM129</b>	Corner mount adapter for SSBK129
<b>SSPM168</b>	Pole mount adapter for SSBK168
<b>SSPM204</b>	Pole mount adapter for SSBK204
<b>SSPM129LC</b>	Pole mount adapter for SSBK129LC
<b>SSPM168LC</b>	Pole mount adapter for SSBK168LC

## DIMENSIONS

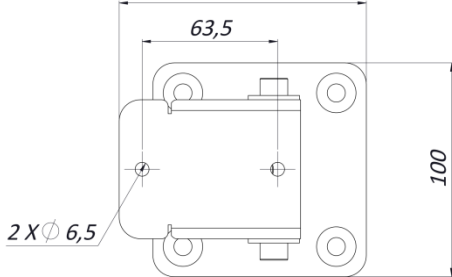
SSBK129CLN FRONT VIEW



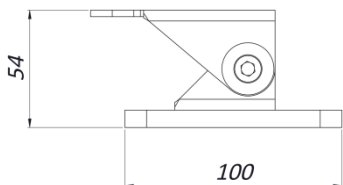
SSBK129CLN TOP VIEW



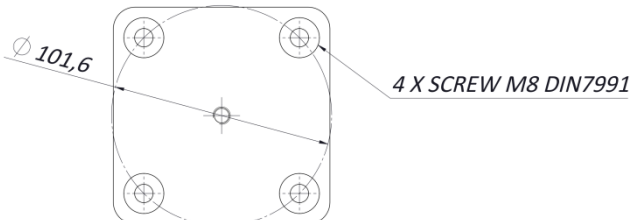
SSPTM129 TOP VIEW



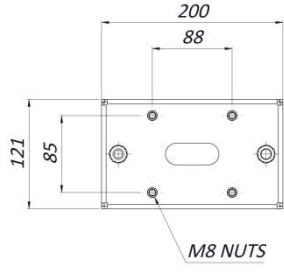
SSPTM129 SIDE VIEW



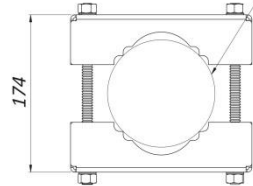
SSPTM129 MOUNTING PATTERN



SSPM129 FRONT VIEW

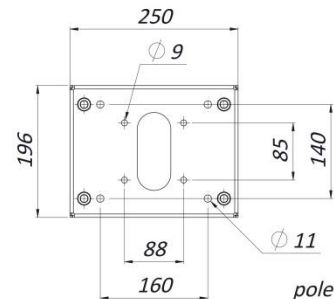


SSPM129 TOP VIEW

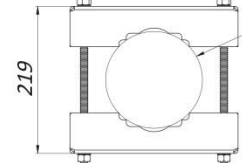


Same dimensions apply to SSPM101

SSPM168 TOP VIEW

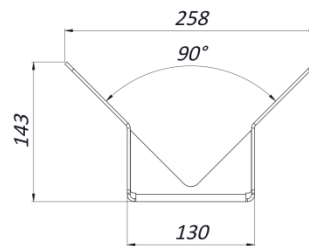


SSPM168 TOP VIEW

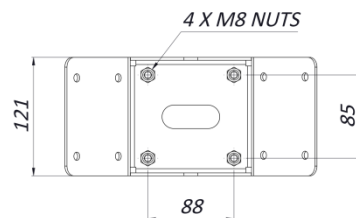


Same dimensions apply to SSPM204, SSPM129LC and SSPM168LC

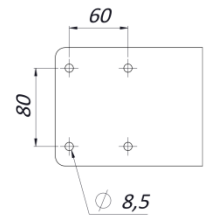
SSCM129 TOP VIEW



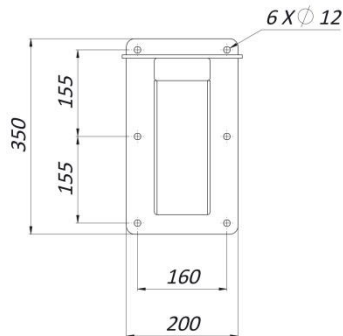
SSCM129 FRONT VIEW



SSCM129 MOUNTING PATTERN



SSBK250 FRONT VIEW



Same dimensions apply to SSBK500

SSBK250 SIDE VIEW

