

# EDW-100

## Serial Adapter



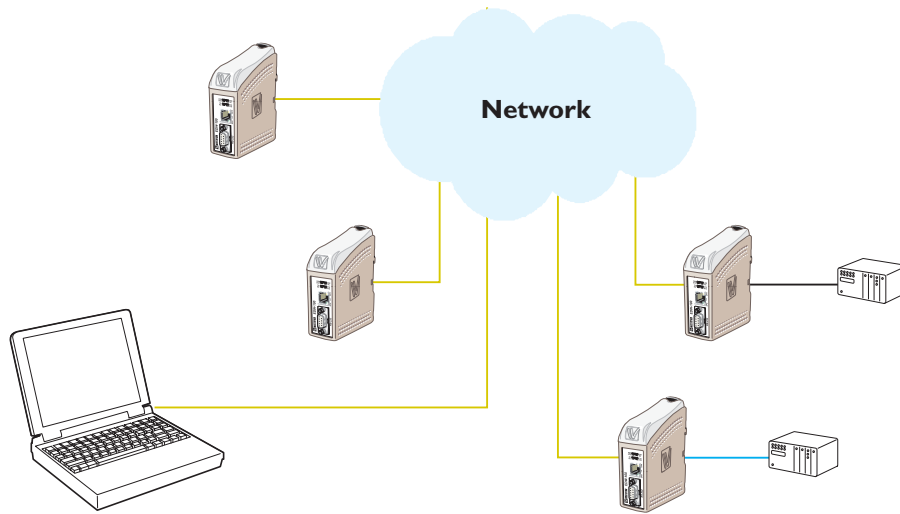
- Serial communication, RS-232 or RS-422/485
- Termination of RS-422/485 and fail safe functionality
- Ethernet 10/100 BaseT
- Packing algorithm
- Diagnostic information via Telnet and 10 LEDs
- Galvanic isolation and enhanced surge/transient protection on all ports
- Industrial and Railway approval
- Auto MDI/MDI-X
- Two levels of password for configuration
- Redundant power and wide DC input range

### Field of application

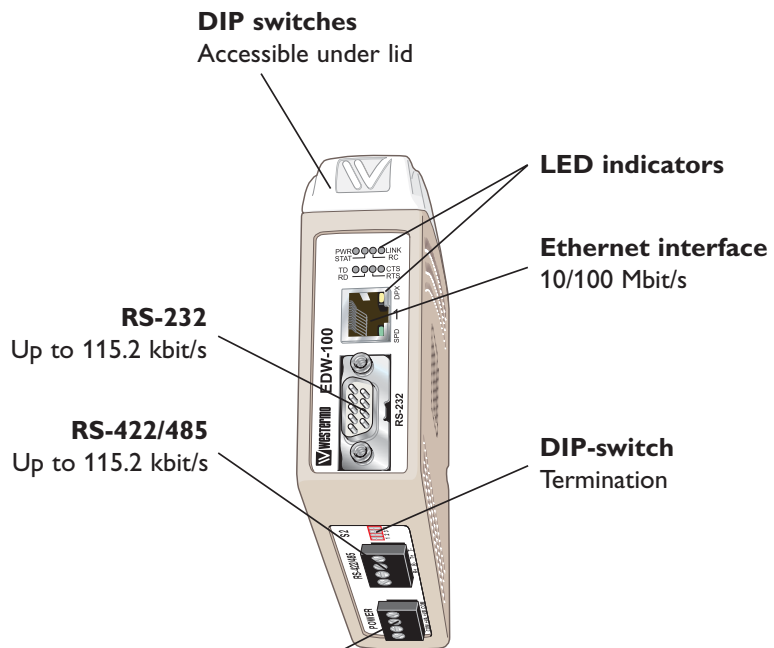
The EDW-100 is an Industrial Ethernet to serial adapter or Ethernet Terminal Server, designed for industrial use in harsh environments. The unit uses standard TCP/IP protocols together with serial equipment, it allows almost any serial devices to interface through a new or existing Ethernet network. Two EDW-100 units can be used to create a simple point to point link or multiple units can be linked to form a one to many application all using Ethernet as the medium to transport the data. A point to point application can be configured with both UDP and TCP, if TCP is used the unit can act both as a client or as a server.

Configuration of the unit is simple using the Web-tool or via Telnet. It is also possible to configure speed and duplex via DIP-switch, this setting can be overridden by the Web-tool.

## Application



## Interfaces



## Power

	<b>EDW-100</b>
Operating voltage	10–60 VDC (polarity independent)
Rated current	125 mA @ 24 VDC
Rated frequency	DC
Connection	Detachable screw terminal

Data sheet available on [www.westermo.com](http://www.westermo.com)