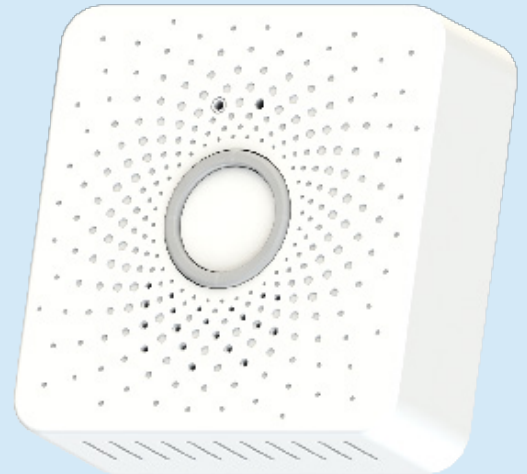


# TEKTELIC BREEZE

## A LoRaWAN® connected CO2 Monitoring Solution

The TEKTELIC BREEZE is a member of our Smart Room Sensor family and integrates practical functionality into a very small form factor. With two variants options, it is an ideal solution for holistically monitoring ambient indoor environments. BREEZE measures and reports real-time CO2 levels, temperature, humidity and light in its surrounding environment, while the BREEZE-V also has additional PIR for motion detection.

- Smart Home & Office
- Schools & Universities
- Retail
- Public Buildings
- Ambient Air Quality Monitoring
- Indoor Environment Monitoring
- Facility Management
- HVAC Optimization



### Features

- » User Configurable Parameters and Thresholds
- » Designed for Optimal Battery Life
- » Buzzer Alert Notifications
- » Pairable with E-Ink Display
- » Wall, Ceiling or Table Mount Configurations
- » Simple Deployment
- » Sleek and Unobstructed Design
- » Ambient Indoor Environment Monitoring

### Applications

- » Temperature
- » Humidity
- » Light
- » Barometric Air Pressure
- » CO2 Concentration

# TEKTELIC BREEZE

## A LoRaWAN® connected CO2 Monitoring Solution

### Technical and Functional System Specifications

#### General System Parameters

Operational Temperature	0°C to 60°C
Storage Temperature	-40°C to 60°C
Relative Humidity-Operational	5% - 95% Non-Condensing (Operational)
Ingress Protection	IP30
Size	80 x 80 x 30 mm (with mounting clip)
	80 x 80 x 26 mm (without mounting clip)
Weight (including batteries)	91g (with Battery)
Battery	2x AA LTC

#### Wireless Parameters

	LoRa	BLE
RF Power	15 dBm	0 dBm
RF Sensitivity	-137dBm	-94.8dBm (1Mbps)
Radio	SX1261	EFR32BG13 (MCU)
Supported ISM Bands	All Regions Identified by LoRa Alliance	2.4GHz ISM
Antenna	Internal	Internal
LoRa Device Class	A	/

#### Sensing Functions

Temperature: 0-60C +/- 0.3C
Humidity: 5-95% +/- 4%
Light: 5-1000 lux
Barometer: 300 - 1200 hPa +/- 1hPa
CO2: 400-5000ppm +/- 30ppm +3% of reading

#### Optimized Battery Life

Operational Temperature	15-25°C
Tx Power	LoRa: 15dBm    BLE: 0dBm

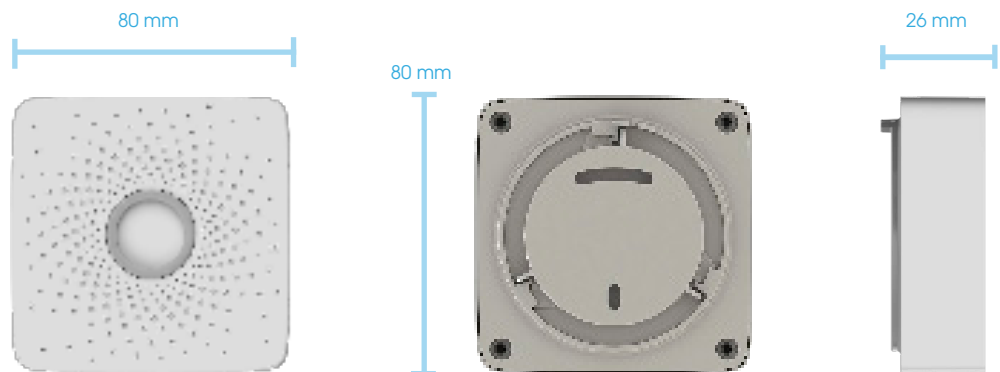
#### Battery Life in Years

Report Frequency	SF 10	SF 7	
Every 5 mins (active)	4.9	8.4	Active: 10 hours during weekdays
Every 1hr (Inactive)			
Every 5 Minutes (active)	4.3	7.6	Inactive: Rest of the week outside of active hours
Every 30 mins (Inactive)			

#### Regulatory Compliance

Safety	IEC 60529-1
Regulatory	ETSI EN 300 220 -1/-2
	ETSI EN 301-489-1/-3
	FCC 15.247    FCC 15.209
	ICES-003, RSS-247, RSS-Gen

Specifications subject to change without notice\*.



TEKTELIC Communications is a premier supplier of best-in-class LoRaWAN® IoT Gateways, Sensors, and custom applications. These elements combined provide a powerful end-to-end solution that can be easily, quickly, and cost effectively deployed to address the most demanding IoT challenges.

For more information please visit [www.tektelic.com](http://www.tektelic.com)