



CPD

2.4 and 5 GHz Puck Dual Feed Puck Antenna

Features

- Low Profile Puck Antenna
- Supports 2.4 & 4.9-5.8 GHz frequencies
- IP67 rated when mounted correctly
- Groundplane Independent

Specifications

Radiating element	2 x 1/2 wave Element
Frequency range	2.4-2.5 / 4.9-5.8 GHz
Peak gain	1.5 dBi / 4 dBi
Polarisation	Linear
VSWR	<1.5:1
Power rating	10W
Cable / Connector	2 x 2M RG174 with RP-SMA Connectors
Dimensions	102 x 33.5mm (dxh)

Ordering Options

FCPD35227-SM-SM-2K	CPD with dual 2M RG-174 and SMA-Male
FCPD35227-RS-RS-2K	CPD with dual 2M RG-174 and RP-SMA

Specifications subject to change without notice.

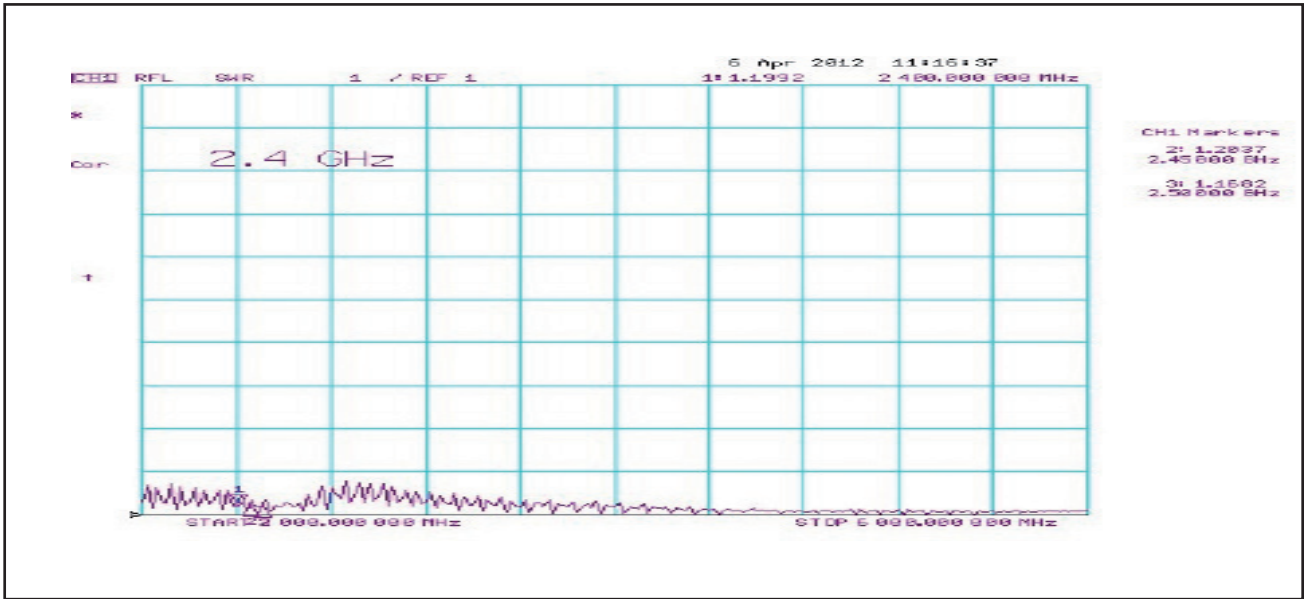
5 Little Balmer
Buckingham Industrial Park
Buckingham
MK18 1TF
UK

Tel: +44 (0)1280 824055
Fax: +44 (0)1280 817179
Email: sales@ead-ltd.com
Web: www.ead-ltd.com

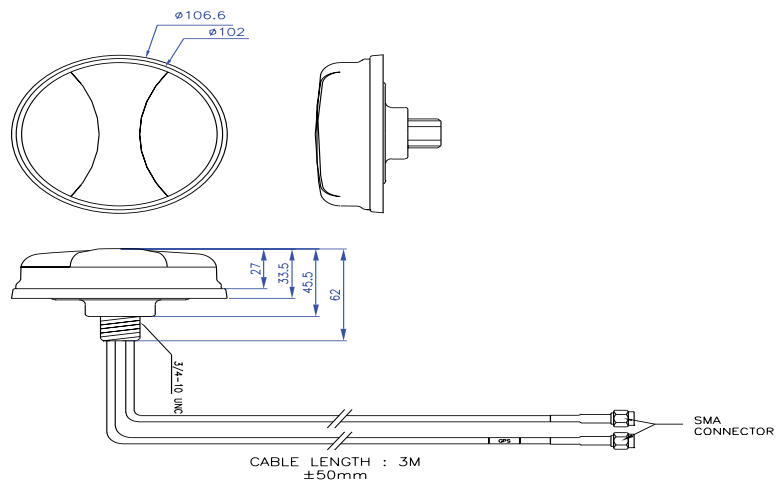


CPD | 2.4 and 5 GHz Dual-Feed Puck Antenna

VSWR



Outline Drawing



Specifications subject to change without notice.

5 Little Balmer
Buckingham Industrial Park
Buckingham
MK18 1TF
UK

Tel: +44 (0)1280 824055
Fax: +44 (0)1280 817179
Email: sales@ead-ltd.com
Web: www.ead-ltd.com