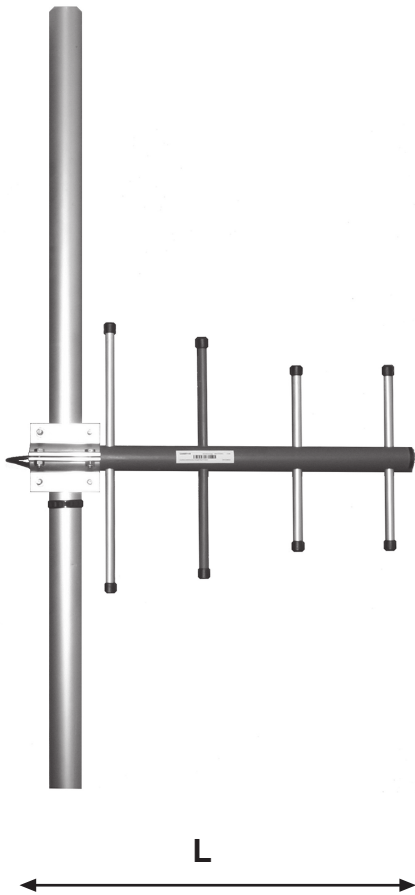


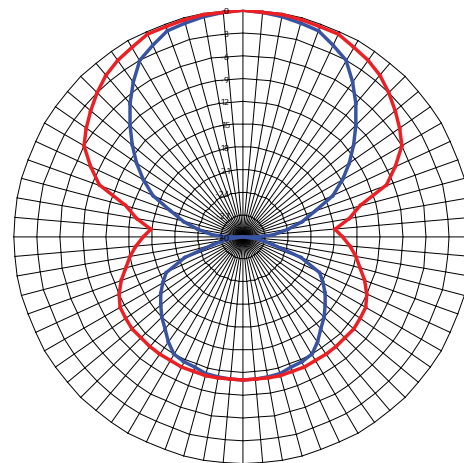
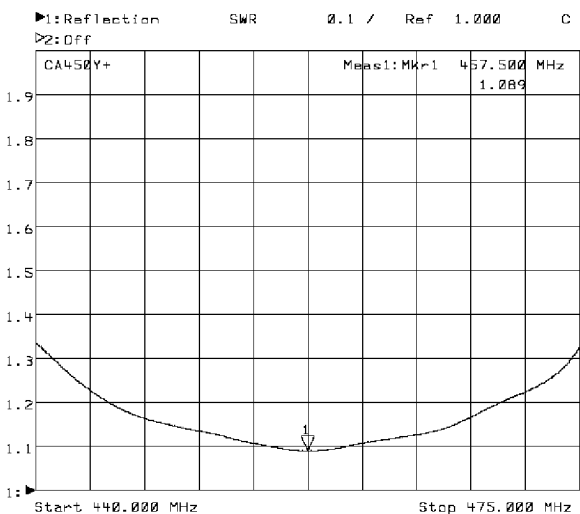
ComAnt[®] Communications Antennas



FREQUENCY INDEPENDENT DATA

Description: directional yagi
Frequency: 135-145 MHz, 144-156 MHz, 154-166 MHz, 163-177 MHz, 221-239 MHz, 326-353 MHz, 336-364 MHz, 365-395 MHz, 380-410 MHz, 405-440 MHz, 440-475 MHz, 830-890 MHz, 865-925 MHz, 890-960 MHz
Impedance: 50 ohm
Gain: 8 dBi
Polarization: vertical/horizontal
Connector: N-female/TNC-female
VSWR: < 1.5
Radome: UV resistant ABS, RAL 7012, PU foam filling
Radiator: copper
Passive elements: coated aluminium
Attachment: Ø 35-60 mm, aluminium alloy bracket, stainless steel V-bolts and self locking nuts
Lightning protection: DC-short circuited
Temperature: -40° - +80°C
IP: 67

RADIATION PATTERN



— E dB — H dB