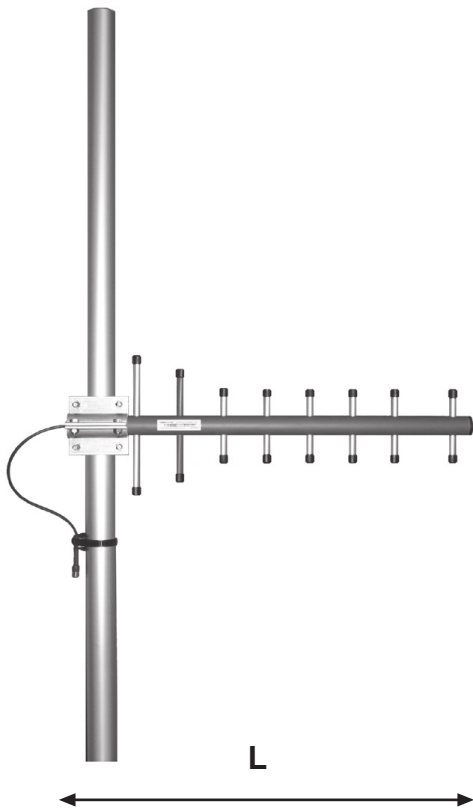


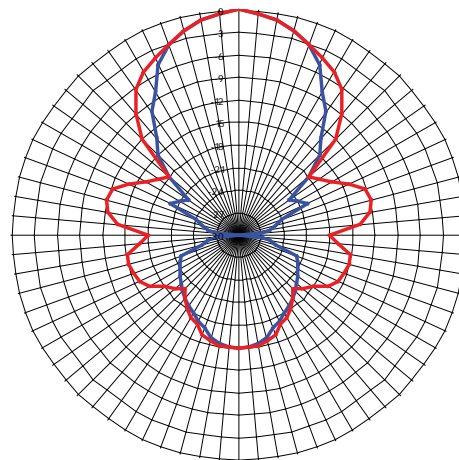
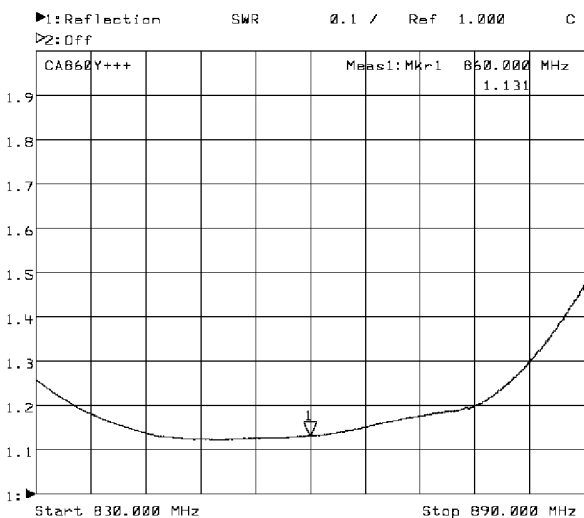
ComAnt[®] Communications Antennas



FREQUENCY INDEPENDENT DATA

Description: directional yagi
 Frequency: 326-353 MHz, 336-364 MHz, 405-440 MHz, 440-475 MHz, 830-890 MHz, 865-925 MHz, 890-960 MHz
 Impedance: 50 ohm
 Gain: 11 dBi
 Polarization: vertical/horizontal
 Connector: N-female/TNC-female
 VSWR: < 1.5
 Radome: UV resistant ABS, RAL 7012, PU foam filling
 Radiator: copper
 Passive elements: coated aluminium
 Attachment: Ø 35-60 mm, aluminium alloy bracket, stainless steel V-bolts and self locking nuts
 Lightning protection: DC-short circuited
 Temperature: -40° - +80°C
 IP: 67

RADIATION PATTERN



— E dB — H dB

CompleTech
 ComAnt[®]-antennas by CompleTech, Finland

CAY+++ DIRECTIONAL YAGI