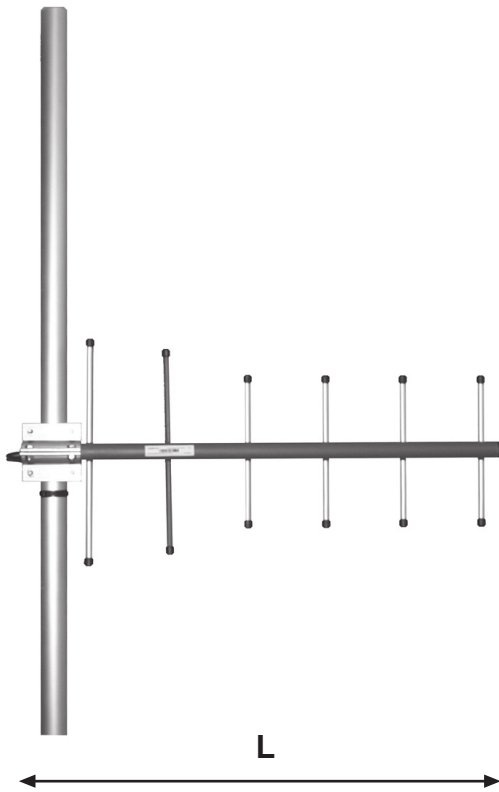


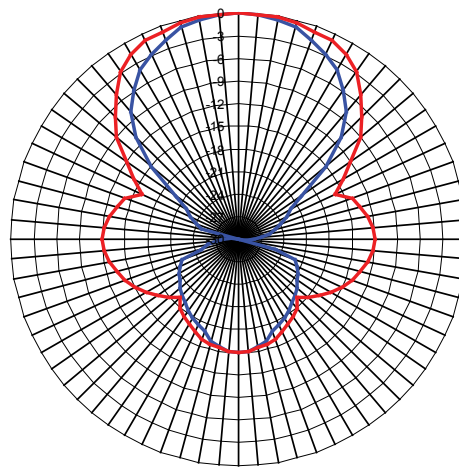
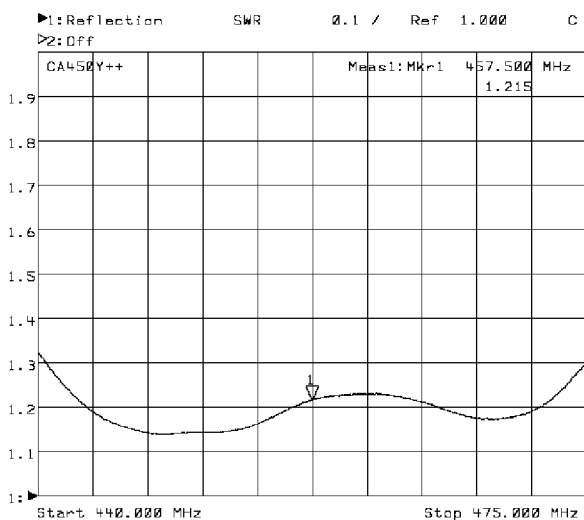
# ComAnt<sup>®</sup> Communications Antennas



## FREQUENCY INDEPENDENT DATA

**Description:** directional yagi  
**Frequency:** 365-395 MHz, 326-353 MHz, 336-364 MHz, 380-410 MHz, 405-440 MHz, 440-475 MHz, 830-890 MHz, 865-925 MHz, 890-960 MHz  
**Impedance:** 50 ohm  
**Gain:** 10 dBi  
**Polarization:** vertical/horizontal  
**Connector:** N-female/TNC-female  
**VSWR:** < 1.5  
**Radome:** UV resistant ABS, RAL 7012, PU foam filling  
**Radiator:** copper  
**Passive elements:** coated aluminium  
**Attachment:** Ø35-60 mm, aluminium alloy bracket, stainless steel V-bolts and self locking nuts  
**Lightning protection:** DC-short circuited  
**Temperature:** -40° - +80°C  
**IP:** 67

RADIATION PATTERN



**CAY++ DIRECTIONAL YAGI**