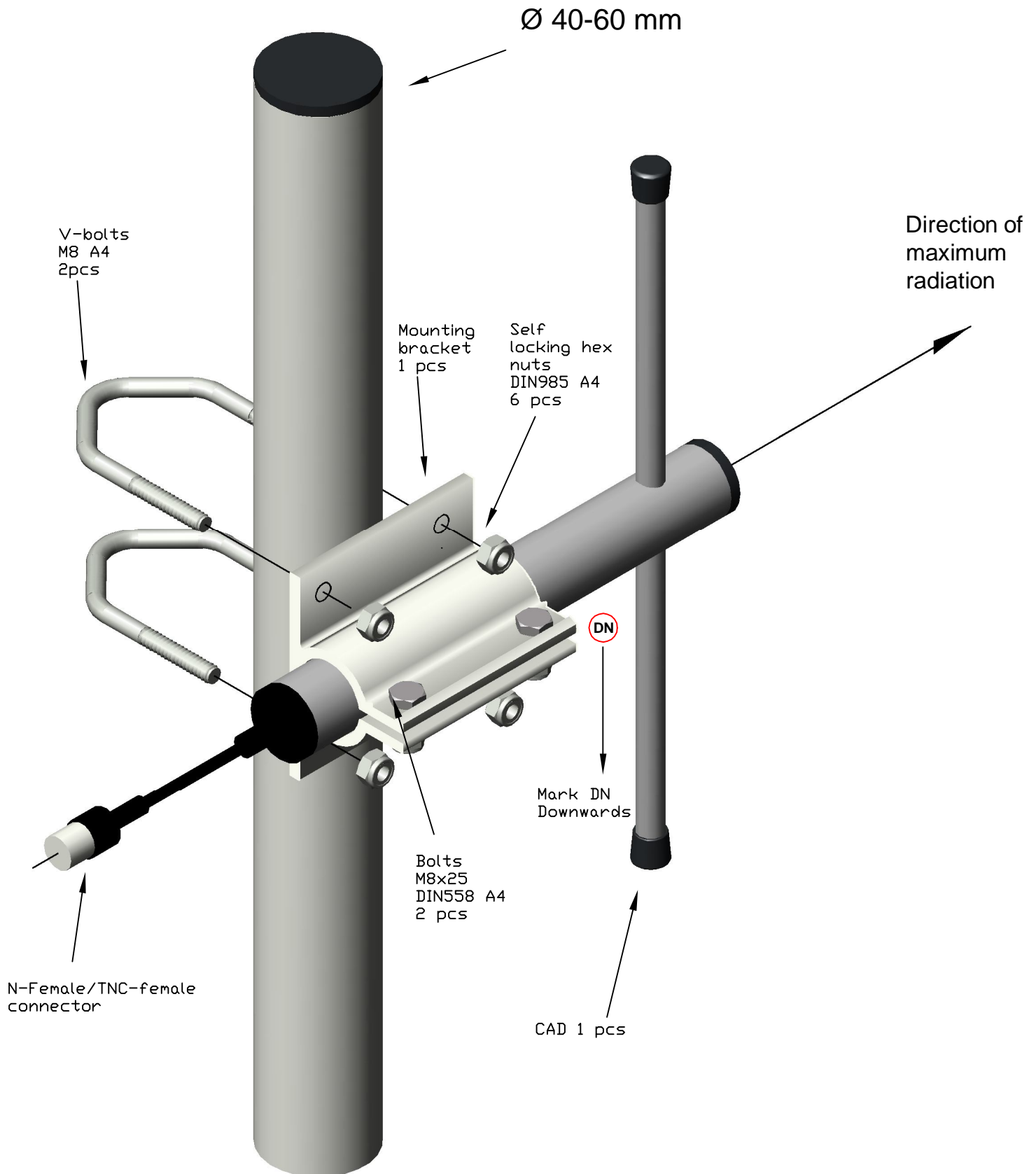


ComAnt CAD Installation instruction

THE MAST SHOULD OVERLOOK THE DIPOLE END



For proper weather protection all connectors and cable junctions should be covered by self-amalgamating tape or equivalent