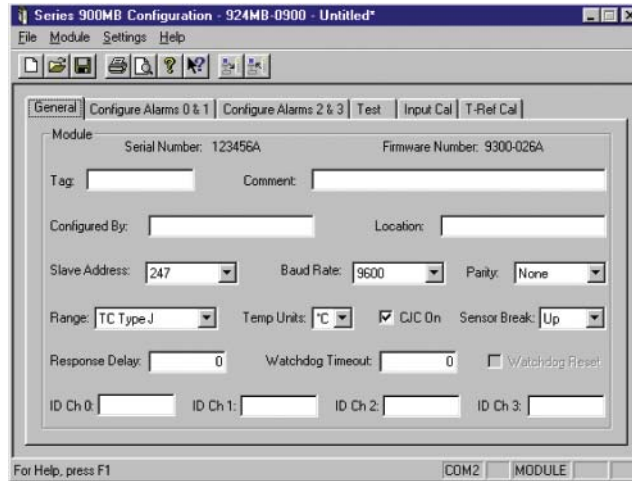


Series 900MB Modbus RTU I/O

Model 900C-SIP Configuration Software Interface Package



Configuration Software ♦ USB-to-RS232 Adapter ♦ RS232-to-RS485 Adapter ♦ Interface Cable

Description

Acromag's configuration software is the key to the I/O modules' easy-to-use operation. The software employs the friendly Windows® interface with pull-down selection menus and fill-in-the-blank fields to speed you through a few brief configuration screens. No programming is required.

This package includes the Configuration Software, an RS232-to-485 Serial Port Converter, RS485 Signal Cable, and an USB to Serial adapter. These components provide everything you need to set up a Series 900 I/O module from your desktop PC before installing it on the network.

Software Compatibility

Windows 98, 2000, ME, NT, XP, Vista, 7.

Ordering Information

NOTE: For more information, visit www.acromag.com.

Models

900C-SIP

Configuration Software Interface Package. Includes user manual, CD, non-isolated RS232-to-RS485 serial port converter (5034-214), RS485 cable (5034-202), and USB adapter (4001-095).

4001-095

USB-to-DB9 serial port (RS232) adapter.

5034-186

Configuration software on CD-ROM.

5034-202

RS485 to 3-wire cable converter and cable, DB-9M to 3 x 12AWG RS485 cable, 8 ft.

5034-214

Non-isolated RS232-to-RS485 serial port converter, RS232 port-powered, DB-9F to DB-9F.

Connection Diagram

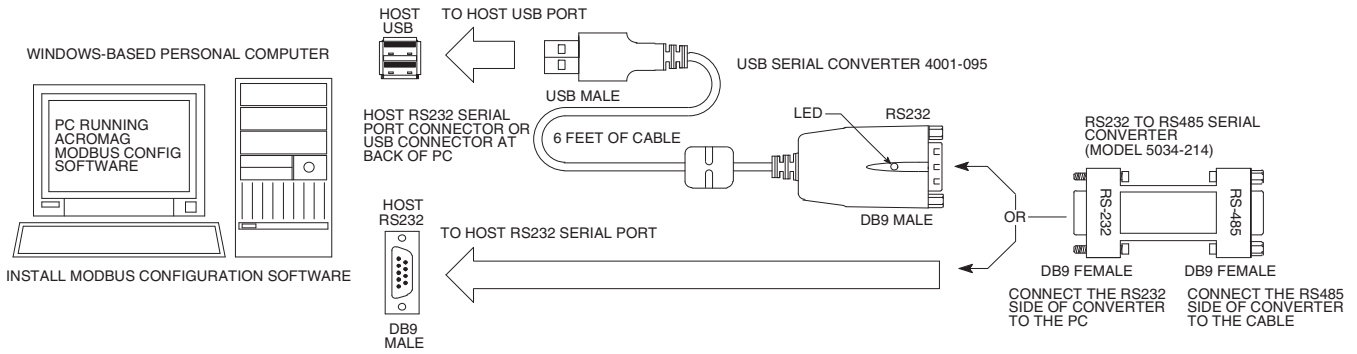
See following page.



Tel: 248-295-0880 ■ Fax: 248-624-9234 ■ sales@acromag.com ■ www.acromag.com ■ 30765 S Wixom Rd, Wixom, MI 48393 USA

Series 900MB Modbus RTU I/O

900C-SIP COMMUNICATION CONNECTIONS



THE RS232-to-RS485 PORT-POWERED CONVERTER 5034-214 IS INTENDED FOR CONFIGURATION PURPOSES FOR ONE DEVICE. IT IS NOT SUITABLE FOR DRIVING A FULLY LOADED RS485 NETWORK. THE USE OF AN EXTERNALLY POWERED RS485 CONVERTER IS RECOMMENDED FOR DRIVING MULTIPLE DEVICES OF AN RS485 NETWORK.

