

TECNOVIDEO

CCTV SYSTEMS AND ACCESSORIES

118 SERIES

STAINLESS STEEL CAMERA HOUSING

SAFE AREA

AISI316L STAINLESS STEEL CONSTRUCTION
SPECIFICALLY DESIGNED FOR TUNNEL INSTALLATIONS
ELONGATED FRONT TUBE PROTECTION
DIRT RESISTANT WINDOW
INTEGRAL WALL MOUNTING BRACKET
EASY INSTALLATION AND MAINTENANCE
WEATHERPROOF STANDARD IP66/IP67



118 CAMERA HOUSING FOR TUNNEL APPLICATIONS

TECHNICAL SPECIFICATIONS

GENERAL & MECHANICAL

Dimensions	See drawings next page
Operating Temperature	-20° +75°C (-4° +167° F)
Construction	AISI316L Stainless Steel
Finish	Electro-polished
Mounting	See drawings next page
Cable entries	2 M20x1,5 nickel plated brass cable glands (included) Standard cable diameter 5-10mm
Weight	5,5 kg

ELECTRICAL

Thermostatically controlled heater	
T[°C] ON	= 12 ± 4°C, T[°C] OFF = 20 ± 3°C
Available voltages	24VUC(24V~/VDC), 230V~ (+/-10%)
Power consumption	8W

CERTIFICATIONS

Ingress Protection(EN 60529)	IP66/IP67
EMC	EN 61000-6-3:2007; EN 50130-4:1995 + A1:1998 + A2:2003
LVD	EN 60950-1:2006 + A11:2009
RoHS	2011/65/EU
WEEE	2012/19/EU

MODELS

118	Housing
118H/24	Housing + heater. Supply voltage: 24VUC
118H/230	Housing + heater. Supply voltage: 230V~
118SH/24	Housing + sunshield + heater. Supply voltage: 24VUC
118SH/230	Housing + sunshield + heater. Supply voltage: 230V~

All the above models include a wall mounting bracket with swivel joint and have a dirt resistant window.

Note: Upon request 118 series housing is available in PoE version (upon approval of camera and lens in use)

MOUNTING ACCESSORIES

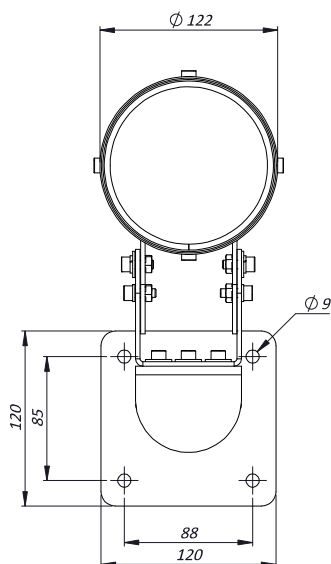
SSPM118	Pole mount adapter for 118 Series. Diam. 80mm -115mm
----------------	------------------------------------------------------

ACCESSORIES AND SPARE PARTS

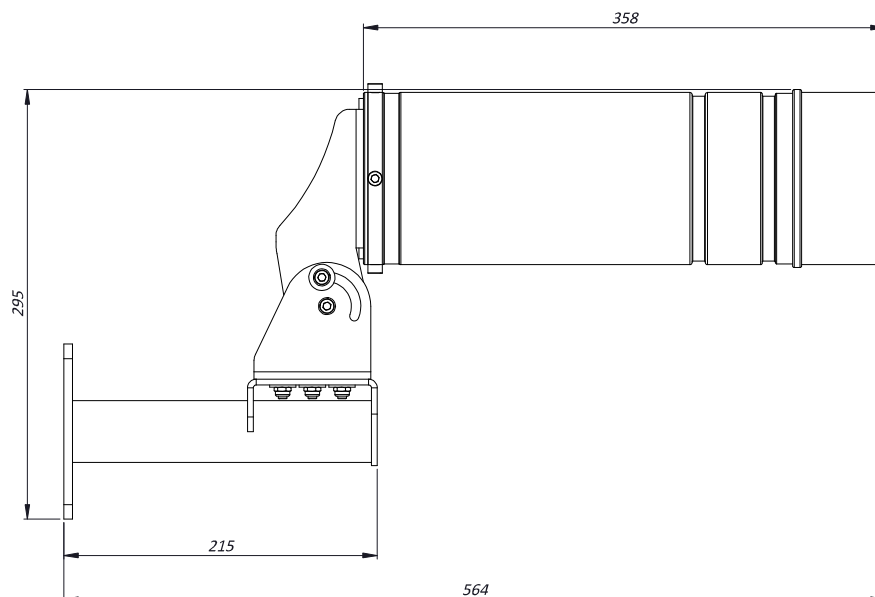
MK118	Maintenance kit with O-Ring seals, cable gland, screws, desiccant bags
SK118	Sunshield kit

DIMENSIONS

FRONT VIEW



SIDE VIEW



MAX INTERNAL DIMENSIONS [mm]: 84x65x210